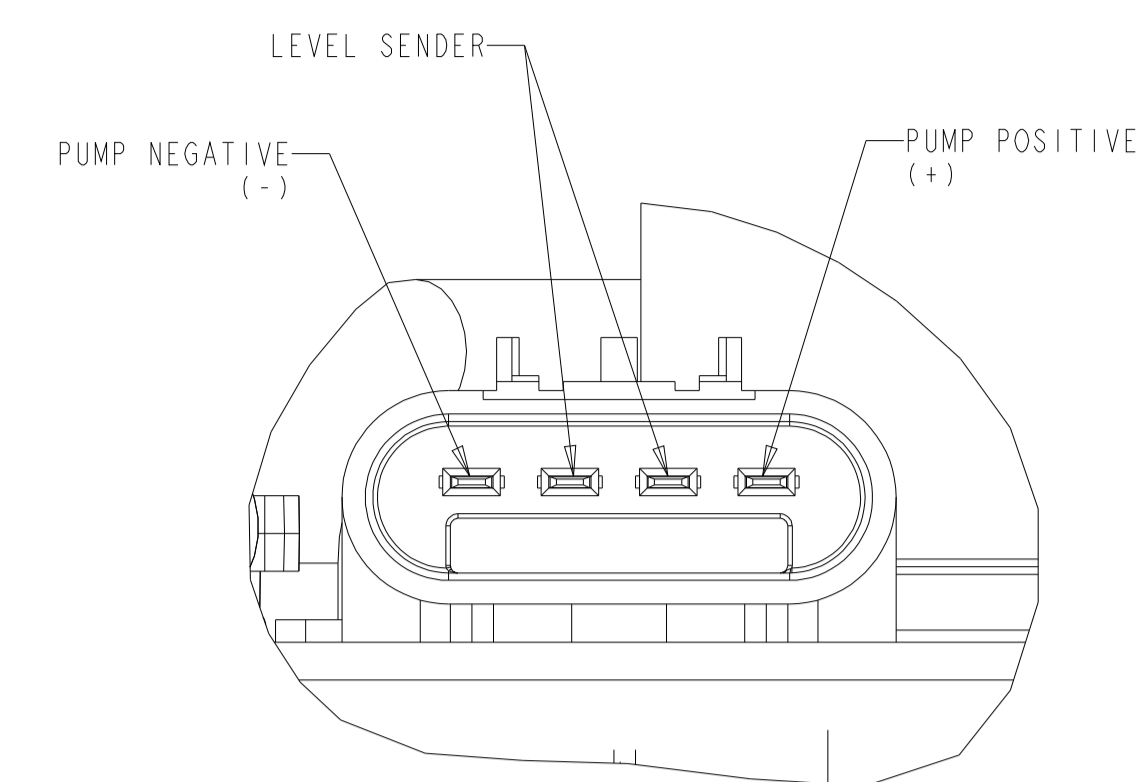
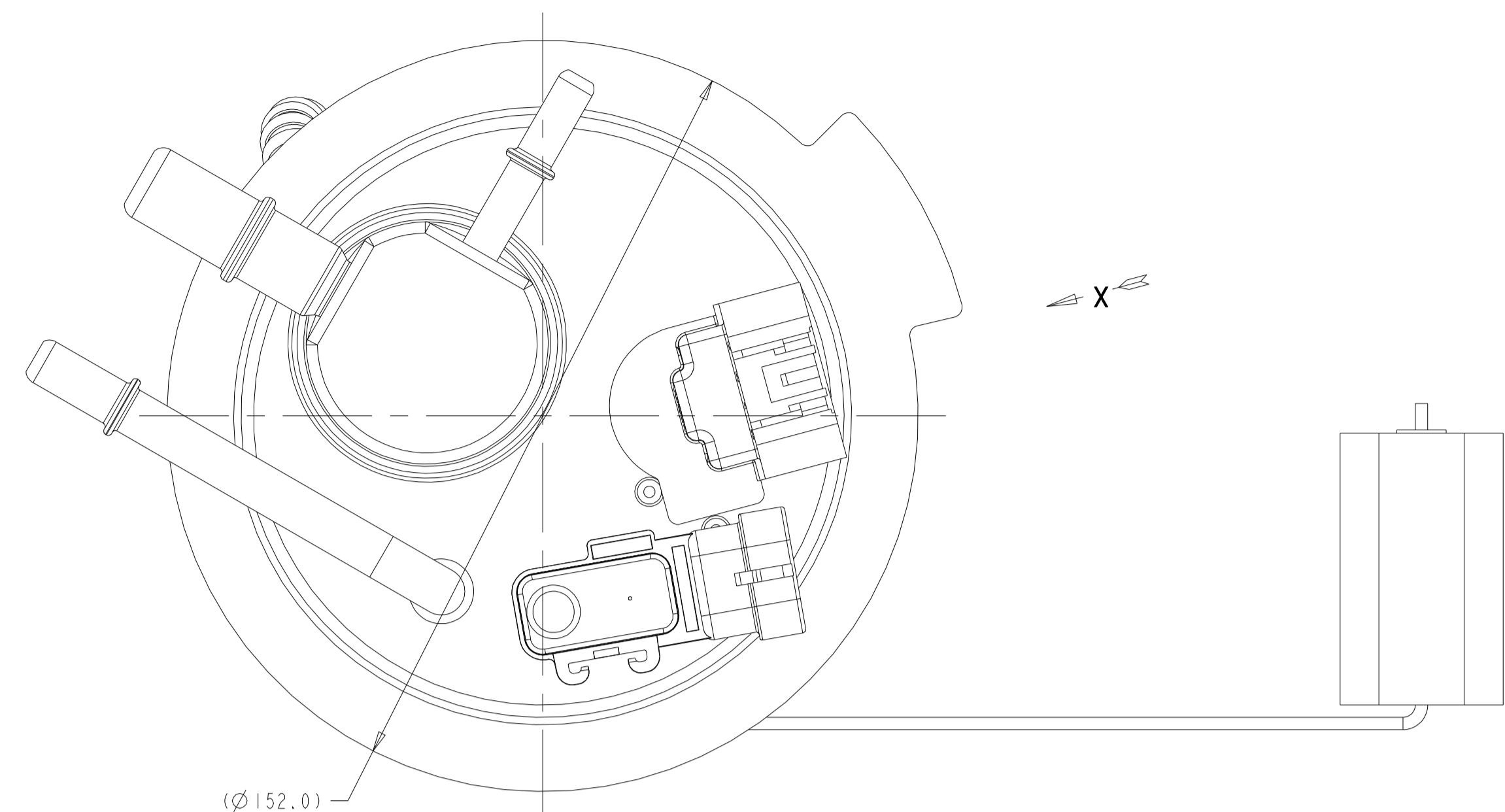
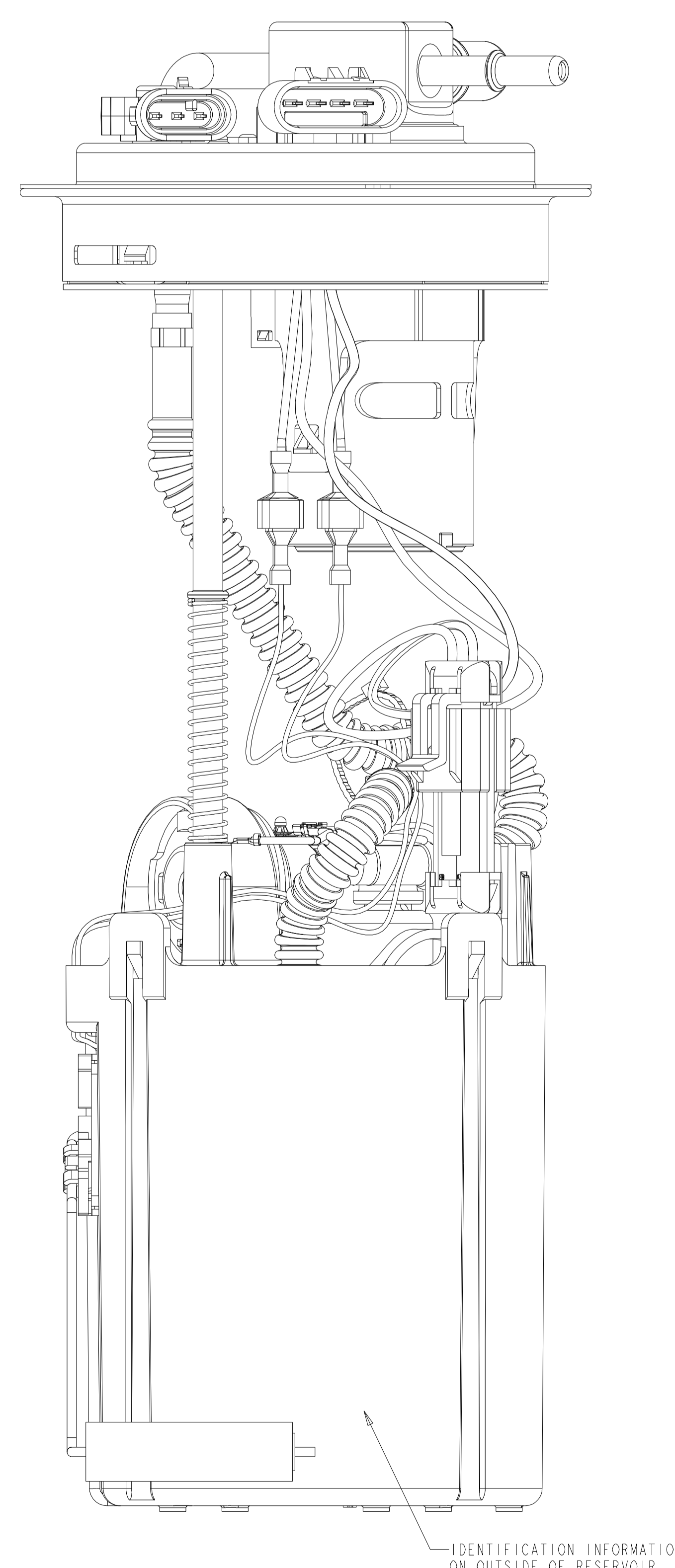
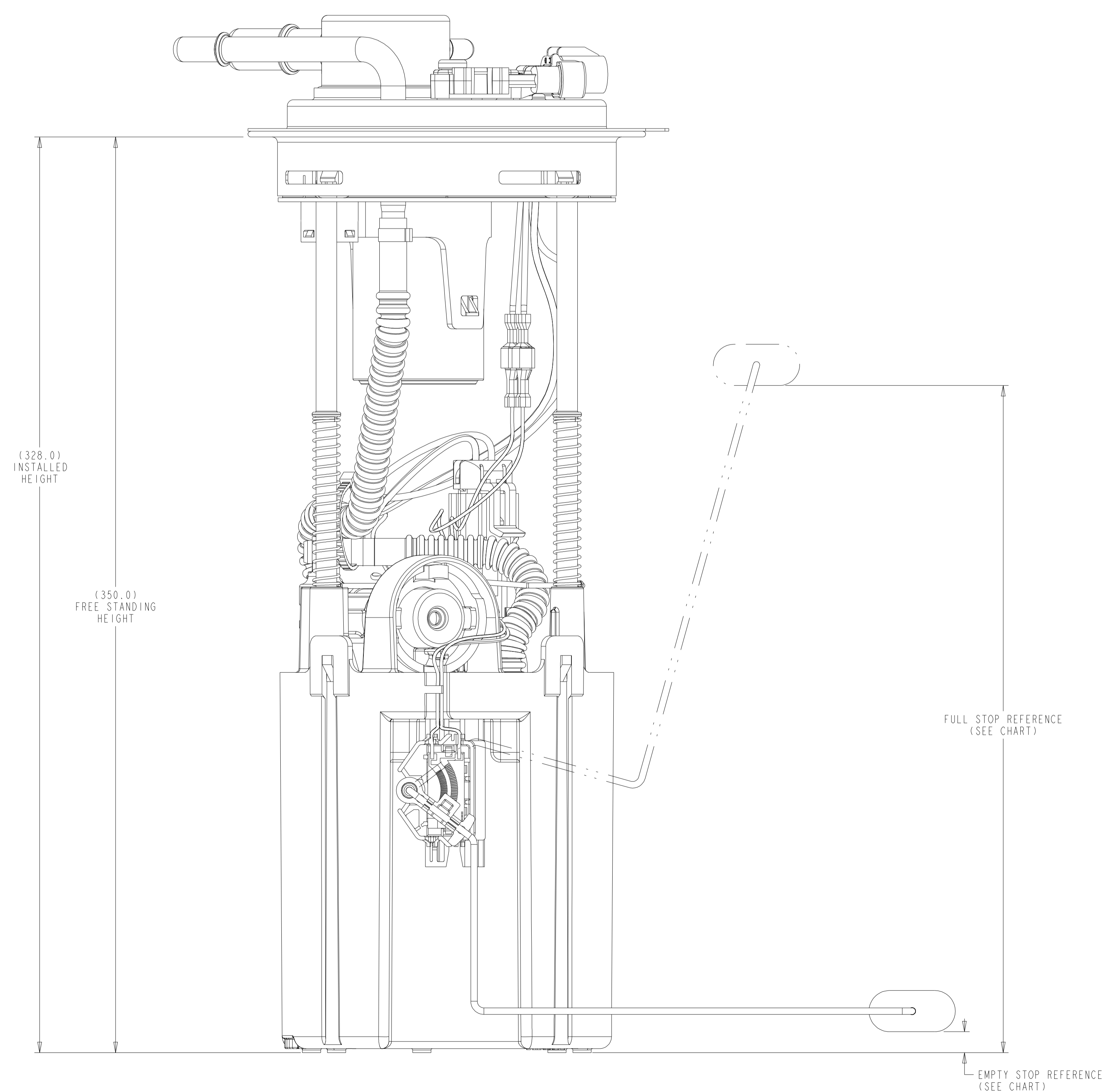


REVISIONS						
ZONE	LTR	DESCRIPTION	CHANGE No	DATE	BY	APPR'D
AA		INITIAL RELEASE		25OCT14	SLK	DJC
AB		UPDATED COVERPLATE	DR53394	02SEP15	JMM	BLM



VIEW X
SCALE 2:1



LEVEL SENDER HEIGHT VS. RESISTANCE		
POSITION	HEIGHT	RESISTANCE
FULL STOP	255±1	40±3Ω
EMPTY STOP	8±1	250±3Ω

NOTES:

- CHANGE IN DESIGN, COMPOSITION, LOCATION OR PROCESSING FROM THE PART PREVIOUSLY APPROVED FOR PRODUCTION REQUIRES PRIOR APPROVAL BY TI AUTOMOTIVE.
- SPECIAL CUSTOMER PACKAGING REQUIREMENTS MAY CALL FOR THE ADDITION OF SPECIFIC LABELS NOT SHOWN ON THIS DRAWING.
- SHOWN WIRE ROUTING MAY DIFFER FROM FINISHED PRODUCT.
- MODULE TO BE PACKAGED USING COMPONENTS NOTED ON BOM SO THAT CONTAMINATION FROM FOREIGN MATERIAL IS PREVENTED:
 - PLUG PROTECTORS ON PORTS
 - POLYBAG

□	DENOTES SOFTEN CHARACTERISTIC
◇	DENOTES SIGNIFICANT CHARACTERISTIC
◆	DENOTES HIGH IMPACT CHARACTERISTIC

METRIC			
ALL DIMENSIONS ARE IN MILLIMETERS			
DO NOT SCALE			
DECIMAL TOLERANCES UNLESS OTHERWISE SPECIFIED: ONE PLACE ±0.25 TWO PLACE ±0.13 ANGLES ±1°			
THIRD ANGLE PROJECTION			
DIMENSIONS IN ACCORDANCE WITH ASME Y14.5 - 2009			
TI Automotive		630 COLUMBIA ST. CARO, MI 48123 +1 989.673.7127	
ENGINEER:	D.CATELIN	25OCT14	MATERIAL/SPECIFICATION:
DESIGNER:	S.KADY	25OCT14	N/A
CAD SYSTEM:	PROVE	SCALE: 1:1	SHEET NO. 1 OF 1
REFERENCE TOLERANCE:		PLW REFERENCE KEY:	0001103417AB
REFERENCE KEY:	2D: AR003485T/AB	PLW REFERENCE KEY:	3D: AR0034856/AB
DRAWING NAME:	FUEL MODULE ASM (AFT GMT900, HP, GAS)		
DATE:	A0	DRAWING NUMBER:	TU486HP