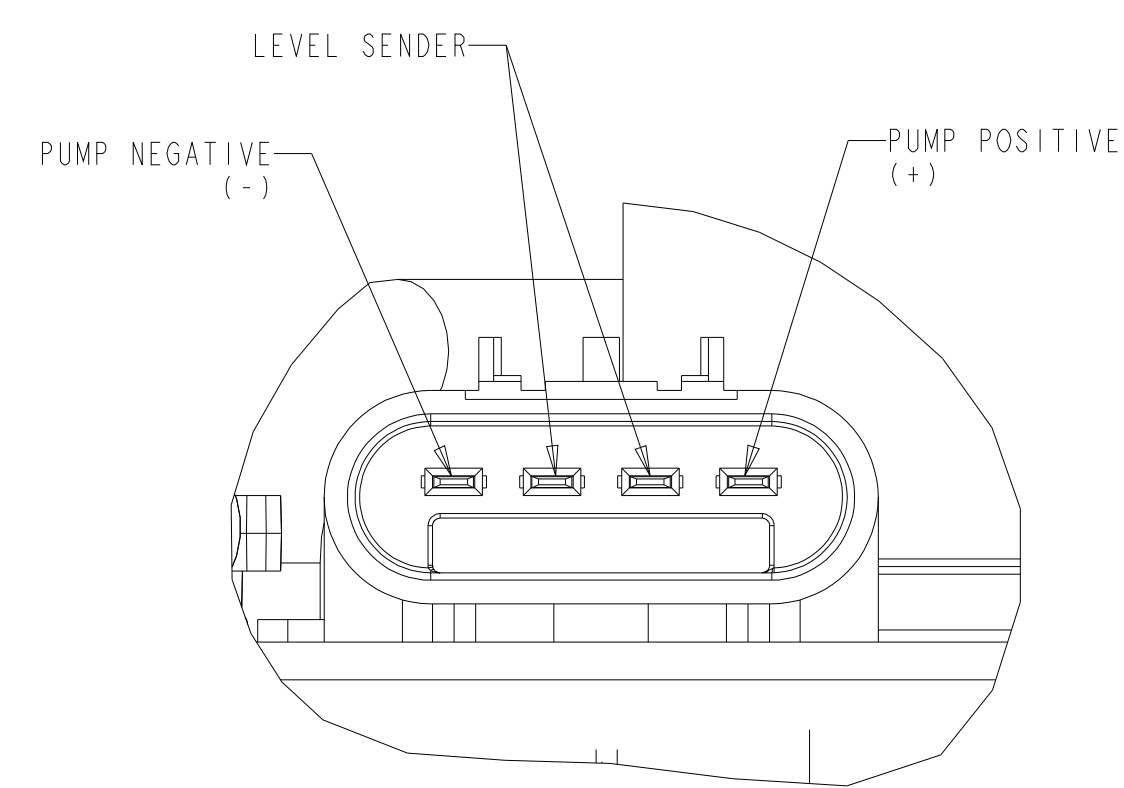
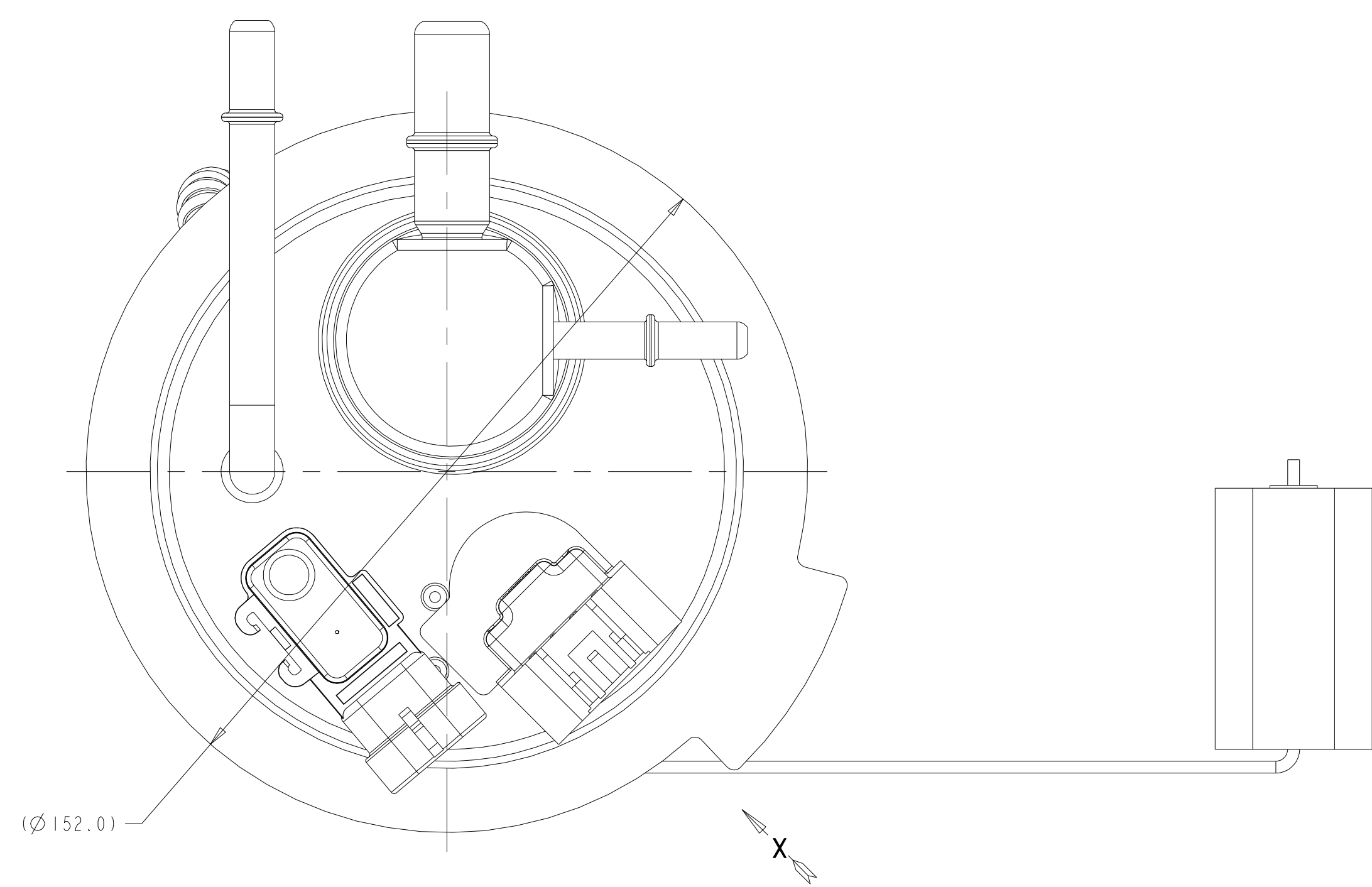
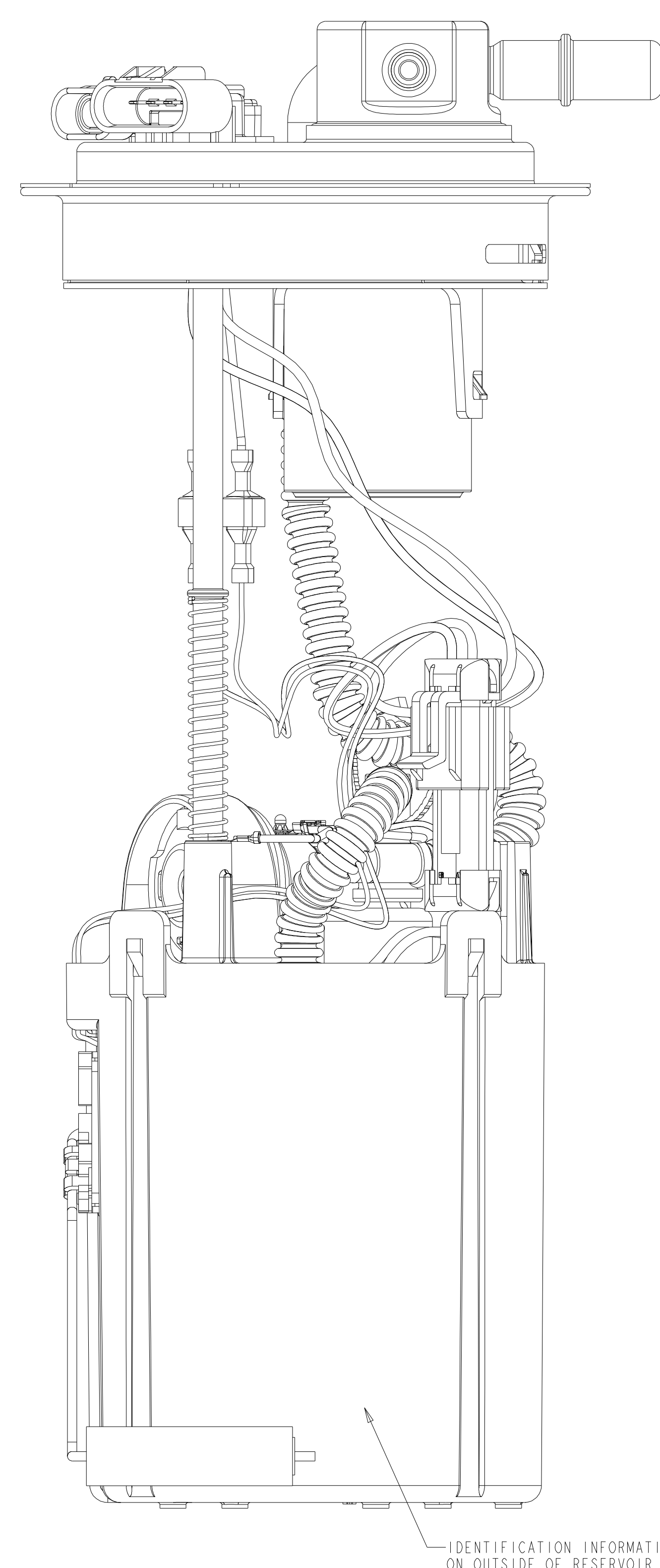
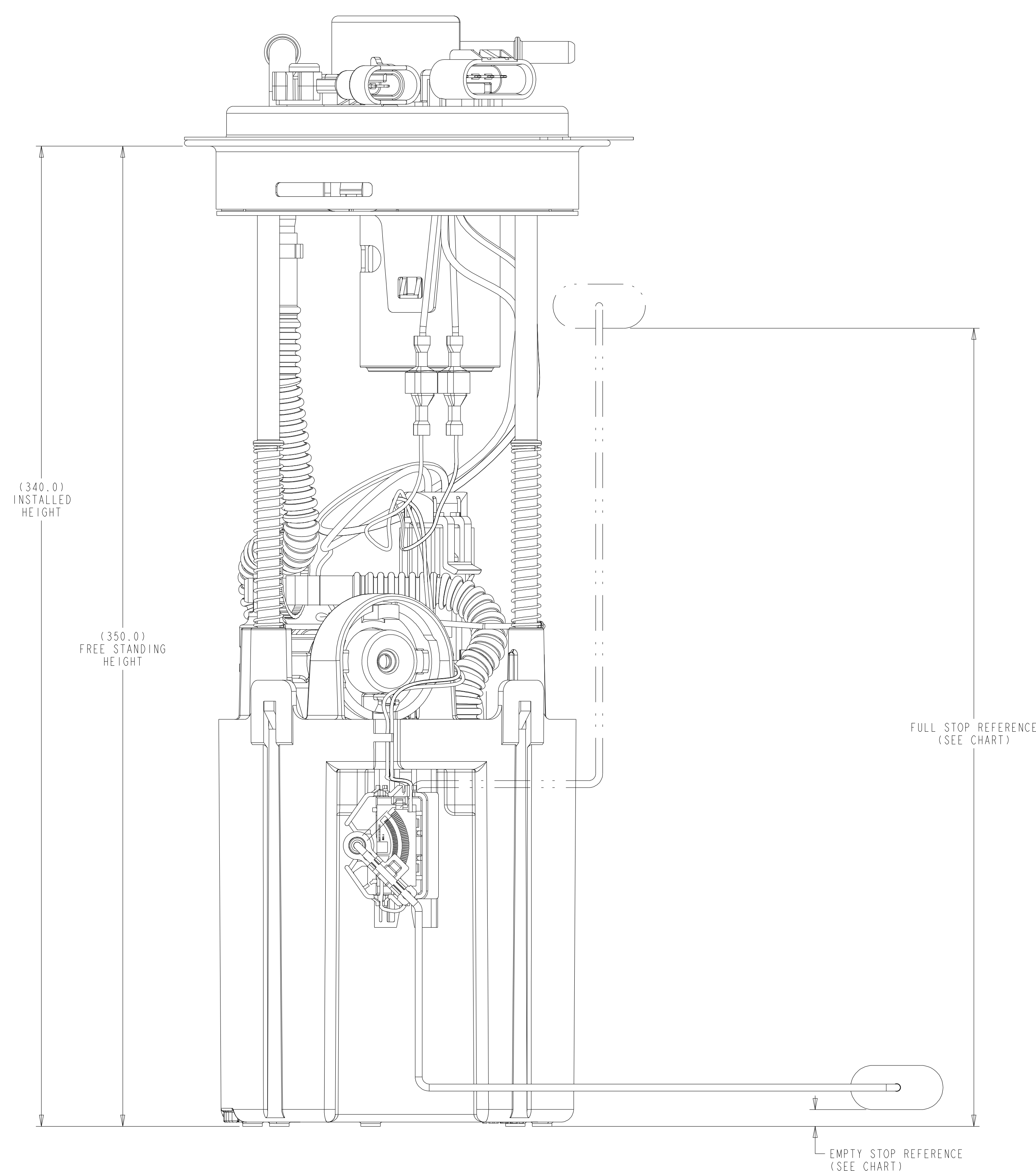


REVISIONS						
ZONE	LTR	DESCRIPTION	CHANGE No	DATE	BY	APPR'D
AA		INITIAL RELEASE		22OCT14	SLK	DJC
AB		UPDATED COVERPLATE	DR53394	02SEP15	JMM	BLM



VIEW X
SCALE 2:1



LEVEL SENDER HEIGHT VS. RESISTANCE		
POSITION	HEIGHT	RESISTANCE
FULL STOP	285±1	40±3Ω
EMPTY STOP	6±1	250±3Ω

NOTES:

- CHANGE IN DESIGN, COMPOSITION, LOCATION OR PROCESSING FROM THE PART PREVIOUSLY APPROVED FOR PRODUCTION REQUIRES PRIOR APPROVAL BY TI AUTOMOTIVE.
- SPECIAL CUSTOMER PACKAGING REQUIREMENTS MAY CALL FOR THE ADDITION OF SPECIFIC LABELS NOT SHOWN ON THIS DRAWING.
- SHOWN WIRE ROUTING MAY DIFFER FROM FINISHED PRODUCT.
- MODULE TO BE PACKAGED USING COMPONENTS NOTED ON BOM SO THAT CONTAMINATION FROM FOREIGN MATERIAL IS PREVENTED:
 - PLUG PROTECTORS ON PORTS
 - POLYBAG

□	DENOTES SAFETY CHARACTERISTIC
◇	DENOTES SIGNIFICANT CHARACTERISTIC
◆	DENOTES HIGH IMPACT CHARACTERISTIC

METRIC
ALL DIMENSIONS ARE IN MILLIMETERS

DO NOT SCALE

DECIMAL TOLERANCES UNLESS OTHERWISE SPECIFIED
ONE PLACE ±0.25 TWO PLACE ±0.13 ANGLES ±1°

THIRD ANGLE PROJECTION

DIMENSIONS IN ACCORDANCE WITH ASME Y14.5 - 2009

TI Automotive
630 COLUMBIA ST.
CARO, MI 48123
+1 989.673.7127

ENGINEER: D.CATELIN	22OCT14	MATERIAL SPECIFICATION:
DES.MANAGER:		N/A
DESIGNER: S.KADY	22OCT14	

CAD SYSTEM: PROVE SCALE: 1:1 SHEET NO. 1 OF 1

REFERENCE TYPICAL:	P/N REFERENCE KEY:
2D: AR0038423/AB	000113177/AB
	P/W REFERENCE KEY:
	3D: AR0038424/AB

DRAWING NAME: FUEL MODULE ASM (AFTMKT GMT900, HP, FFV)

DATE: A0 DRAWING NUMBER: TU485HP