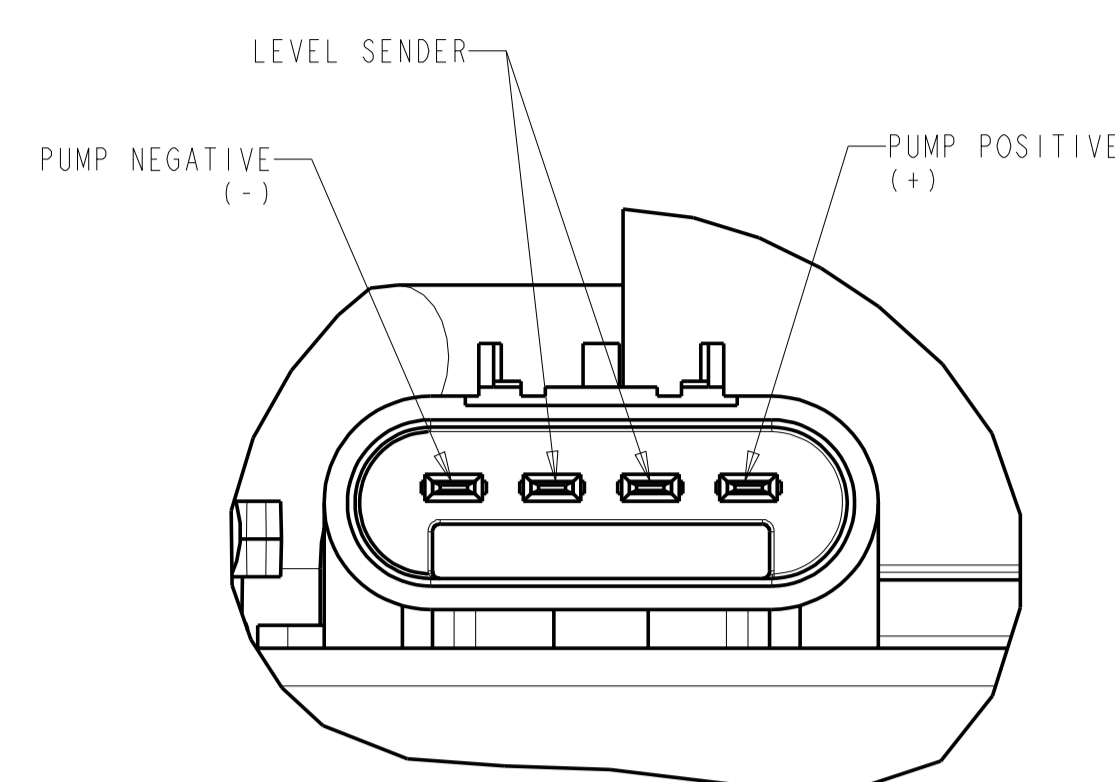
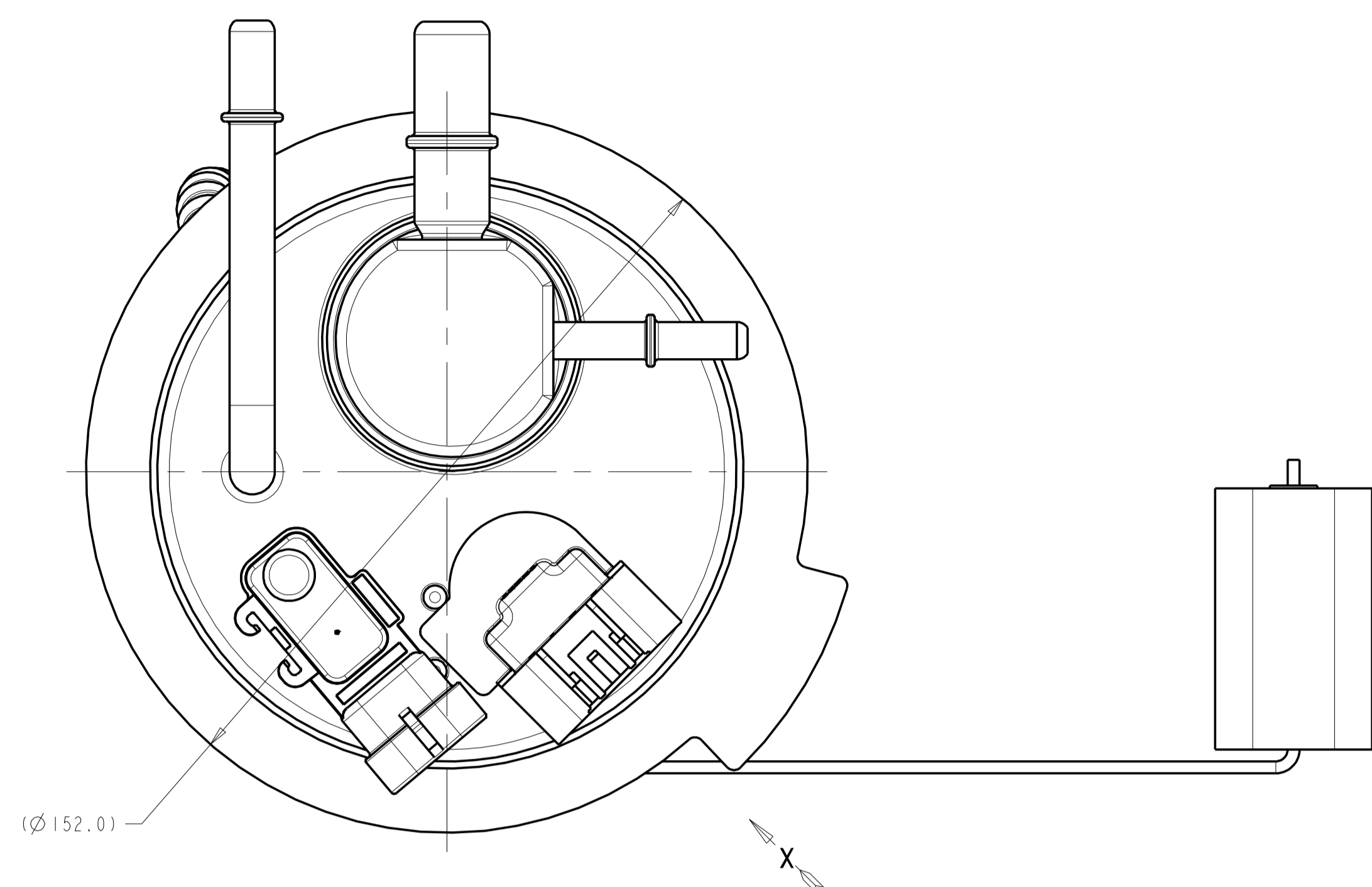
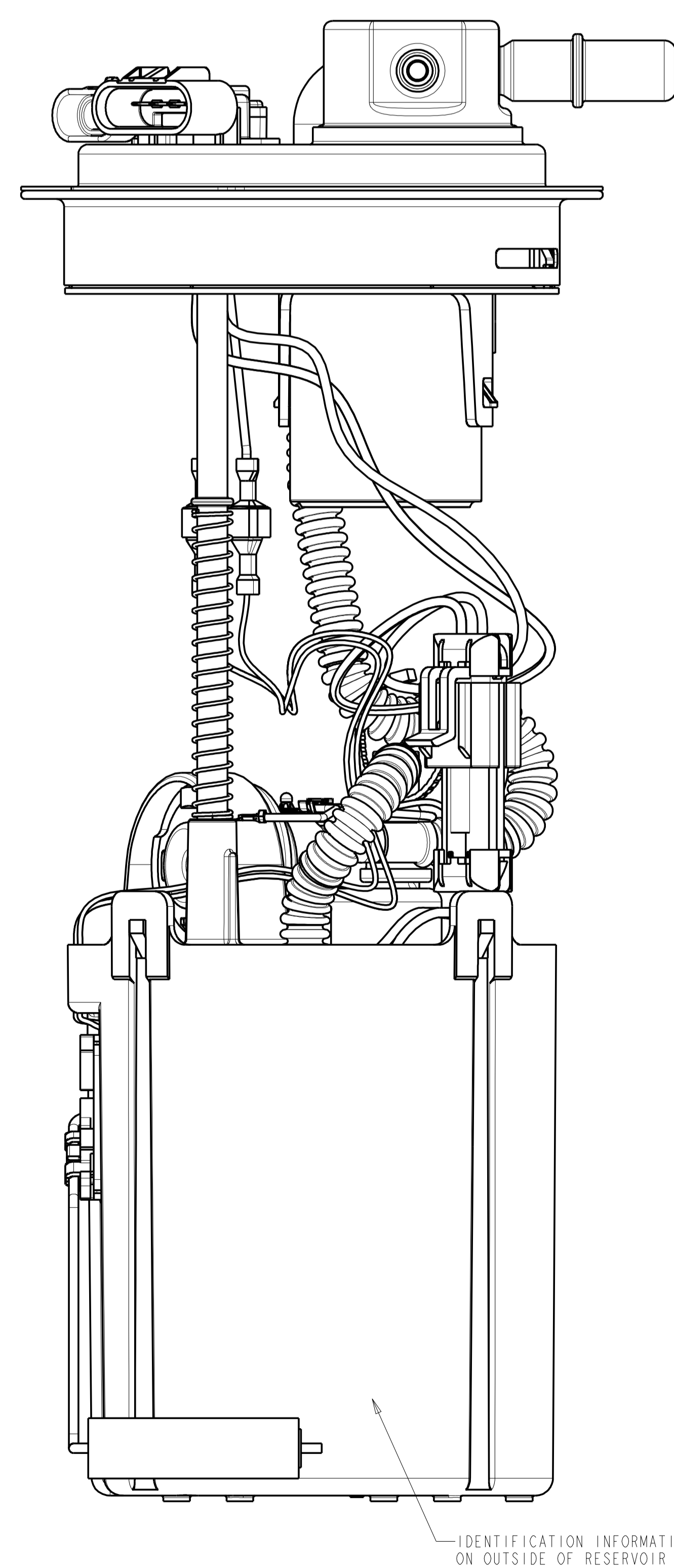
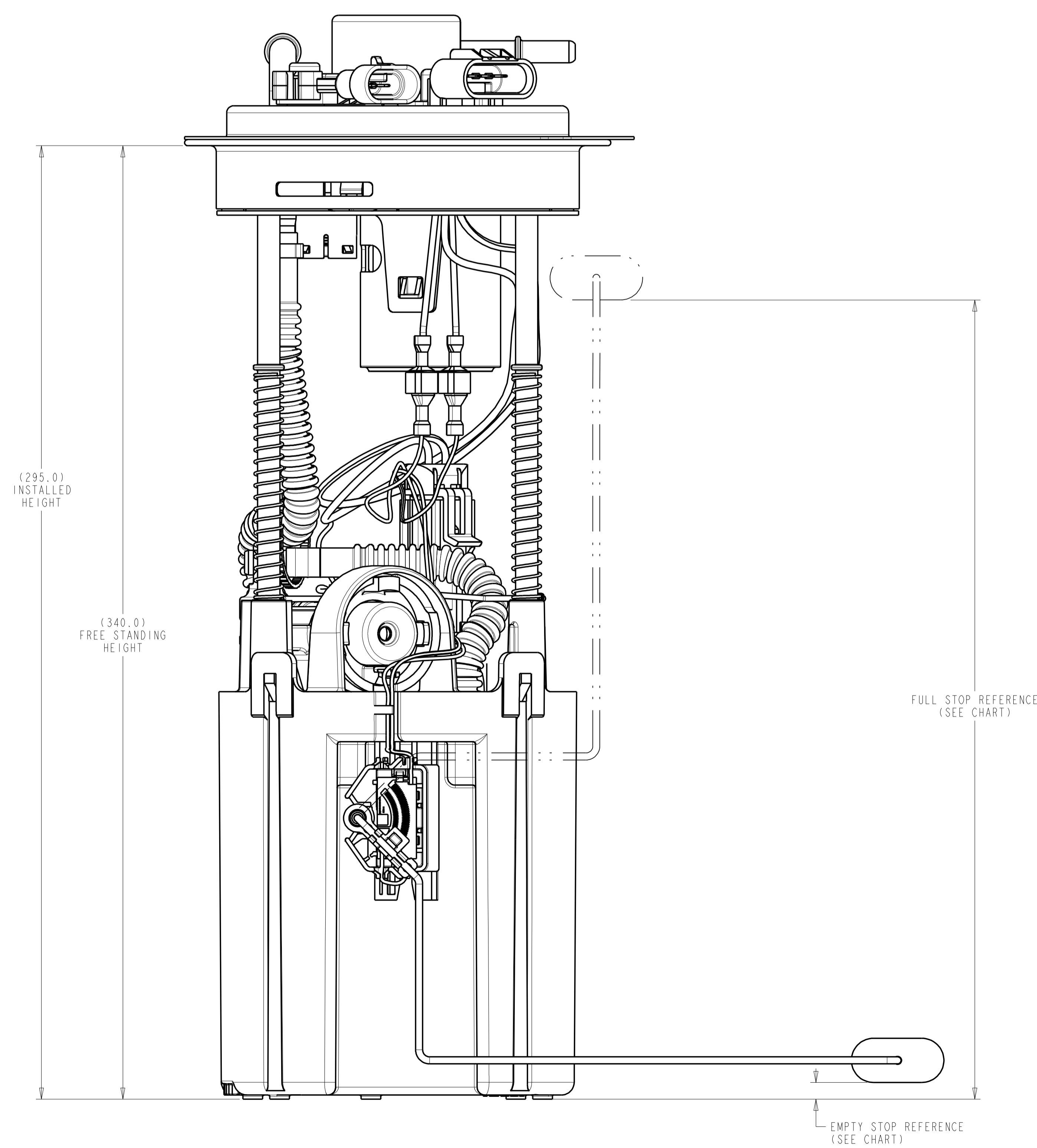


REVISIONS						
ZONE	LTR	DESCRIPTION	CHANGE No	DATE	BY	APPR'D
AA		INITIAL RELEASE		22OCT14	SLK	DJC



VIEW X  
SCALE 2:1



LEVEL SENDER HEIGHT VS. RESISTANCE		
POSITION	HEIGHT	RESISTANCE
FULL STOP	285±1	40±3Ω
EMPTY STOP	6±1	250±3Ω

NOTES:

- CHANGE IN DESIGN, COMPOSITION, LOCATION OR PROCESSING FROM THE PART PREVIOUSLY APPROVED FOR PRODUCTION REQUIRES PRIOR APPROVAL BY TI AUTOMOTIVE.
- SPECIAL CUSTOMER PACKAGING REQUIREMENTS MAY CALL FOR THE ADDITION OF SPECIFIC LABELS NOT SHOWN ON THIS DRAWING.
- SHOWN WIRE ROUTING MAY DIFFER FROM FINISHED PRODUCT.
- MODULE TO BE PACKAGED USING COMPONENTS NOTED ON BOM SO THAT CONTAMINATION FROM FOREIGN MATERIAL IS PREVENTED:
  - PLUG PROTECTORS ON PORTS
  - POLYBAG

▽	DENOTES SAFETY CHARACTERISTIC
◇	DENOTES SIGNIFICANT CHARACTERISTIC
⊕	DENOTES HIGH IMPACT CHARACTERISTIC
<small>TI AUTOMOTIVE CONFIDENTIAL AND PROPRIETARY                  THIS DRAWING IS PROPERTY OF TI AUTOMOTIVE. ALL RIGHTS ARE RESERVED.                  REPRODUCTION OR TRANSMISSION OF THIS DOCUMENT WITHOUT EXPRESS WRITTEN PERMISSION FROM TI AUTOMOTIVE IS PROHIBITED.                  THIS DRAWING AND ANY DATA HEREON ARE UNCLASSIFIED AND PUBLIC RELEASE.                  THE DRAWING IS PROVIDED FOR INFORMATION ONLY AND IS NOT TO BE USED FOR PRODUCTION OR ASSEMBLY.                  THE DRAWING IS PROVIDED FOR INFORMATION ONLY AND IS NOT TO BE USED FOR PRODUCTION OR ASSEMBLY.                  THE DRAWING IS PROVIDED FOR INFORMATION ONLY AND IS NOT TO BE USED FOR PRODUCTION OR ASSEMBLY.                  THE DRAWING IS PROVIDED FOR INFORMATION ONLY AND IS NOT TO BE USED FOR PRODUCTION OR ASSEMBLY.                  THE DRAWING IS PROVIDED FOR INFORMATION ONLY AND IS NOT TO BE USED FOR PRODUCTION OR ASSEMBLY.</small>	

METRIC  
ALL DIMENSIONS ARE IN MILLIMETERS

DO NOT SCALE

DECIMAL TOLERANCES UNLESS OTHERWISE SPECIFIED  
ONE PLACE ±0.25 TWO PLACE ±0.13 ANGLES ±1°

THIRD ANGLE PROJECTION

DIMENSIONS IN ACCORDANCE WITH ASME Y14.5 - 2009

**TI Automotive** 630 COLUMBIA ST. CARO, MI 48723 +1 989.673.7127

ENGINEER	D.CATELIN	22OCT14	MATERIAL SPECIFICATION:
DESIGNER	S.KADH	22OCT14	N/A
CAD SYSTEM: PROVE	SCALE: 1:1	SHEET NO. 1 OF 1	
REFERENCE TYPICAL:	P/N REFERENCE KEY:		
2D: AR0038420/AA	P/N REFERENCE KEY: 000113176/AA		
3D: AR0038421/AA	P/N REFERENCE KEY: N/A		
DRAWING NAME: FUEL MODULE ASM (AFTMKT GMT900, HP, FFV)			
DATE: AD	DRAWING NUMBER: TU484HP		