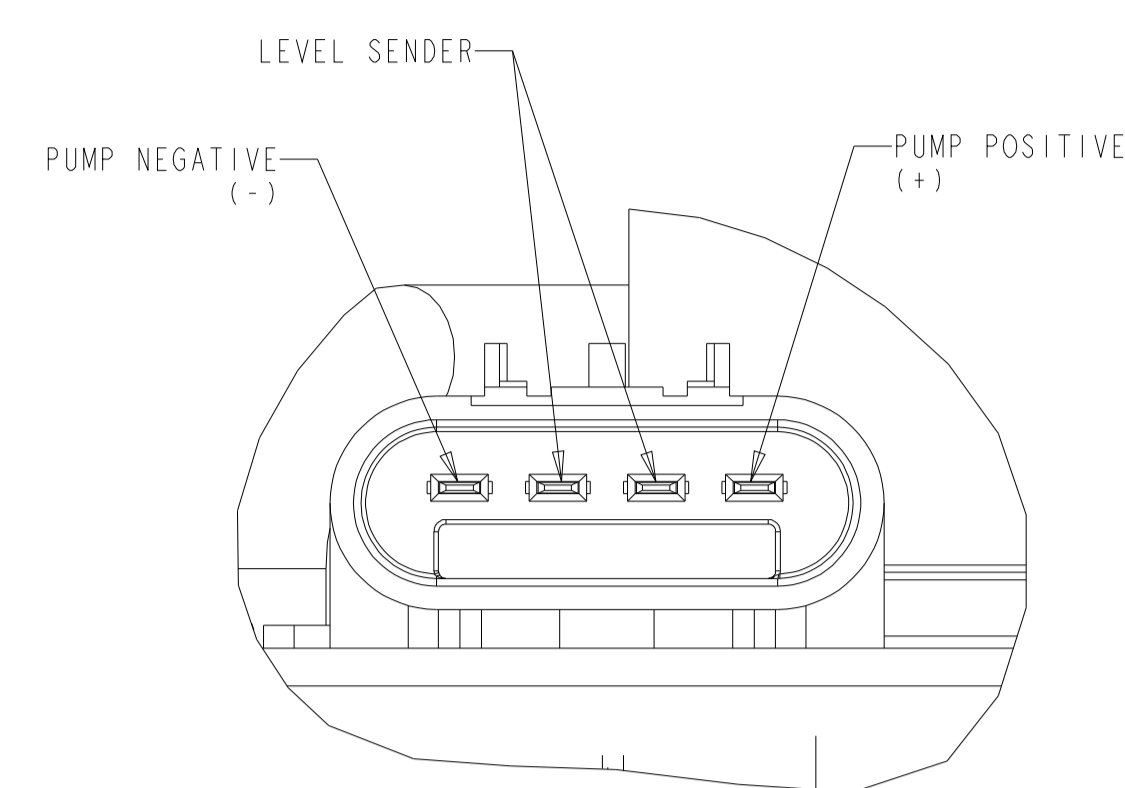
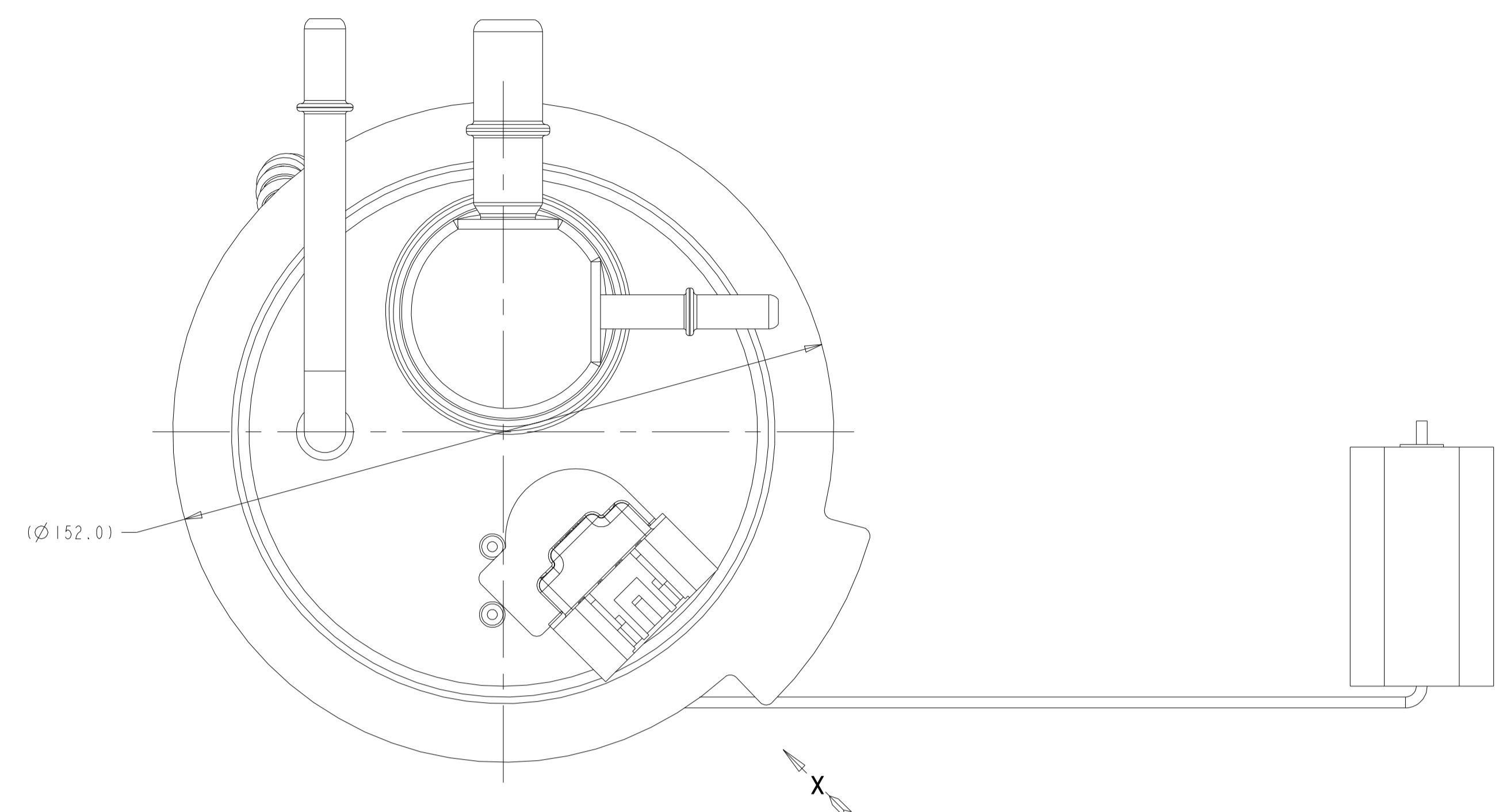
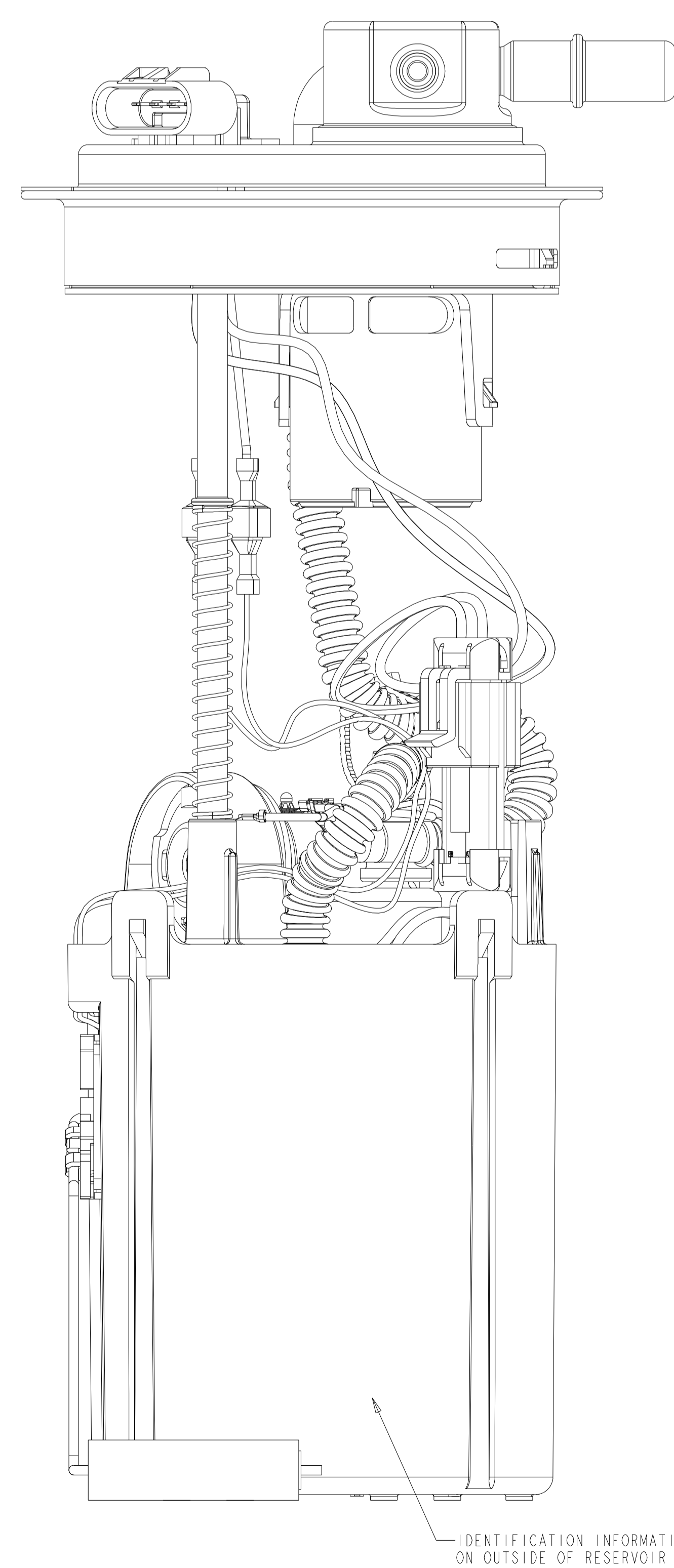
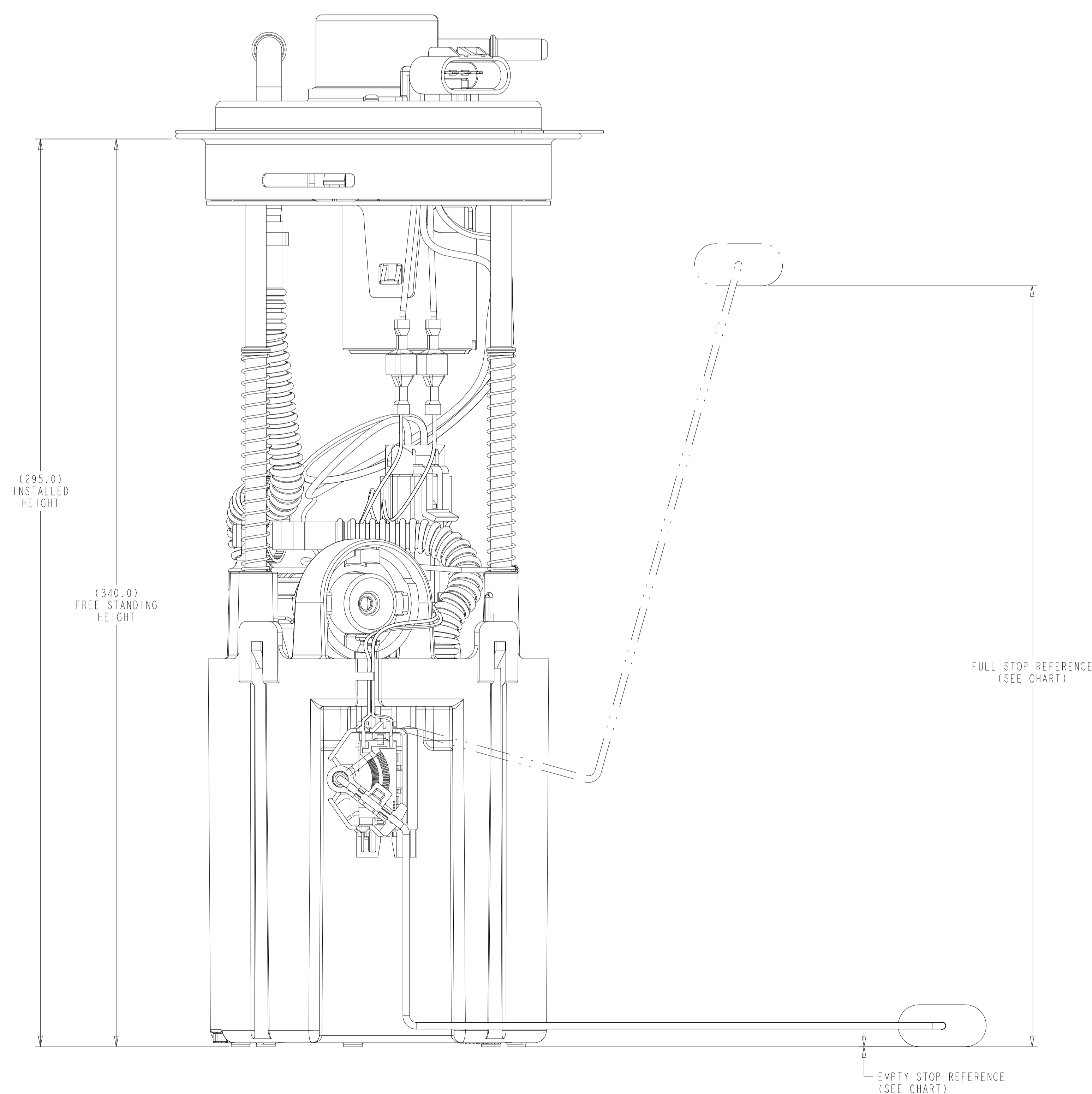


REVISIONS						
ZONE	LTR	DESCRIPTION	CHANGE No	DATE	BY	APPR'D
AA		INITIAL RELEASE		23OCT14	SLK	DJC
AB		UPDATED COVERPLATE	DR53394	02SEP15	JMM	BLM



VIEW X
SCALE 2:1



LEVEL SENDER HEIGHT VS. RESISTANCE		
POSITION	HEIGHT	RESISTANCE
FULL STOP	285±1	40±3Ω
EMPTY STOP	0±1	250±3Ω

NOTES:

- CHANGE IN DESIGN, COMPOSITION, LOCATION OR PROCESSING FROM THE PART PREVIOUSLY APPROVED FOR PRODUCTION REQUIRES PRIOR APPROVAL BY TI AUTOMOTIVE.
- SPECIAL CUSTOMER PACKAGING REQUIREMENTS MAY CALL FOR THE ADDITION OF SPECIFIC LABELS NOT SHOWN ON THIS DRAWING.
- SHOWN WIRE ROUTING MAY DIFFER FROM FINISHED PRODUCT.
- MODULE TO BE PACKAGED USING COMPONENTS NOTED ON BOM SO THAT CONTAMINATION FROM FOREIGN MATERIAL IS PREVENTED:
 - PLUG PROTECTORS ON PORTS
 - POLYBAG

▽	DENOTES SAFETY CHARACTERISTIC
◇	DENOTES SIGNIFICANT CHARACTERISTIC
◆	DENOTES HIGH IMPACT CHARACTERISTIC
<small>TI AUTOMOTIVE CONFIDENTIAL AND PROPRIETARY THIS DRAWING IS PROPERTY OF TI AUTOMOTIVE. ALL RIGHTS ARE RESERVED. FOR THE PURPOSES OF THIS DRAWING, THE DIMENSIONS SHOWN ARE THE DIMENSIONS OF THE PART AS SHOWN IN THE DRAWING. DIMENSIONS FOR THE PARTS SHOWN IN THE DRAWING ARE THE DIMENSIONS OF THE PARTS AS SHOWN IN THE DRAWING. DIMENSIONS FOR THE PARTS SHOWN IN THE DRAWING ARE THE DIMENSIONS OF THE PARTS AS SHOWN IN THE DRAWING. DIMENSIONS FOR THE PARTS SHOWN IN THE DRAWING ARE THE DIMENSIONS OF THE PARTS AS SHOWN IN THE DRAWING.</small>	

METRIC
ALL DIMENSIONS ARE IN MILLIMETERS

DO NOT SCALE

DECIMAL TOLERANCES UNLESS OTHERWISE SPECIFIED
ONE PLACE ±0.25 TWO PLACE ±0.13 ANGLES ±1°

THIRD ANGLE PROJECTION

DIMENSIONS IN ACCORDANCE WITH ASME Y14.5 - 2009

TI Automotive 630 COLUMBIA ST. CARO, MI 48123 +1 989.673.7127

ENGINEER	D.CATELIN	23OCT14	MATERIAL/SPECIFICATION:
DESIGNER	S.KADY	23OCT14	N/A
CAD SYSTEM: PROVE	SCALE: 1:1	SHEET NO. 1 OF 1	
REFERENCE TO FILE:	2D: AR0038438/AB	FILE REFERENCE KEY:	0001131867AB
DESIGN NAME:	FUEL MODULE ASM (AFTMKT GMT900, HP, GAS)	FILE REFERENCE KEY:	3D: AR0038437/AB
DATE:	A0	DRAWING NUMBER:	TU482HP