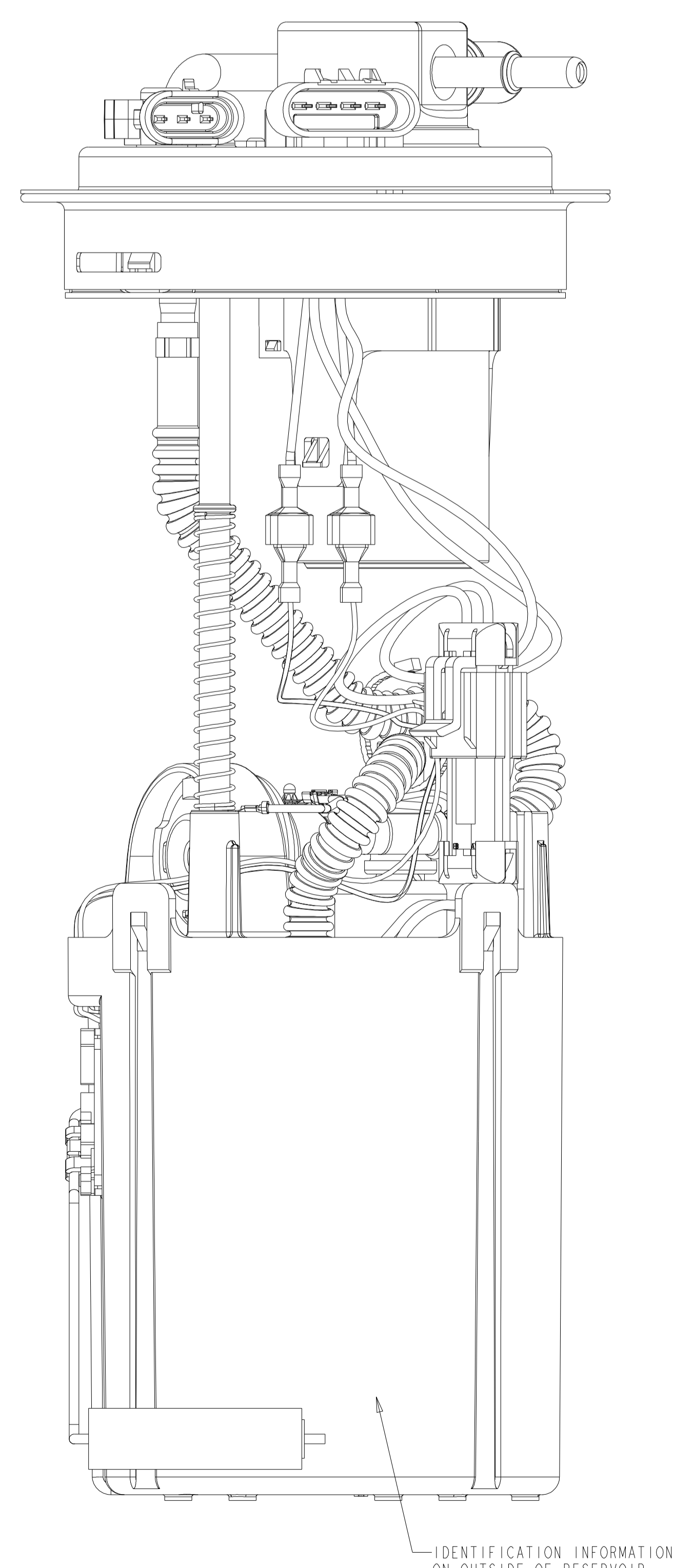
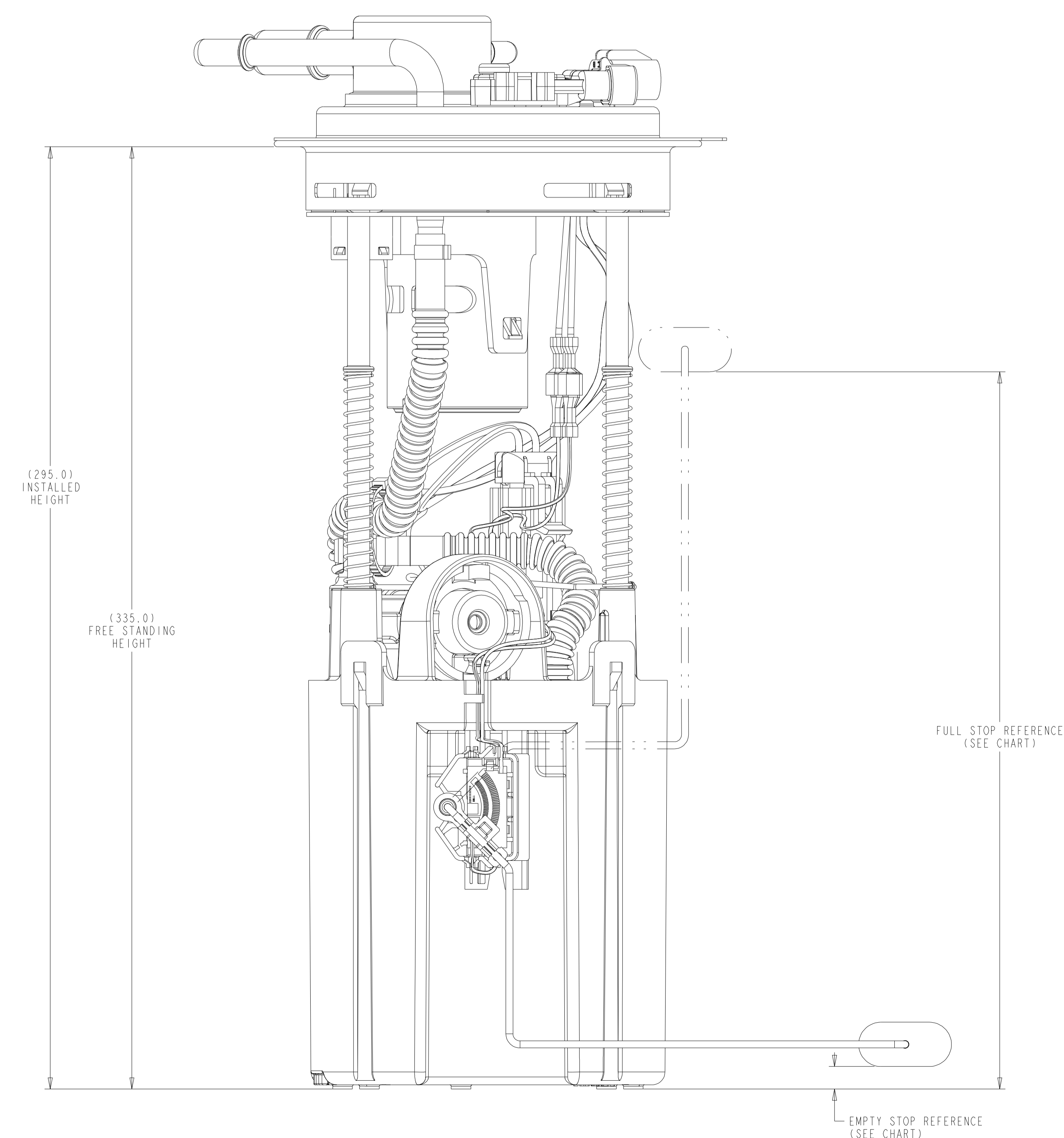
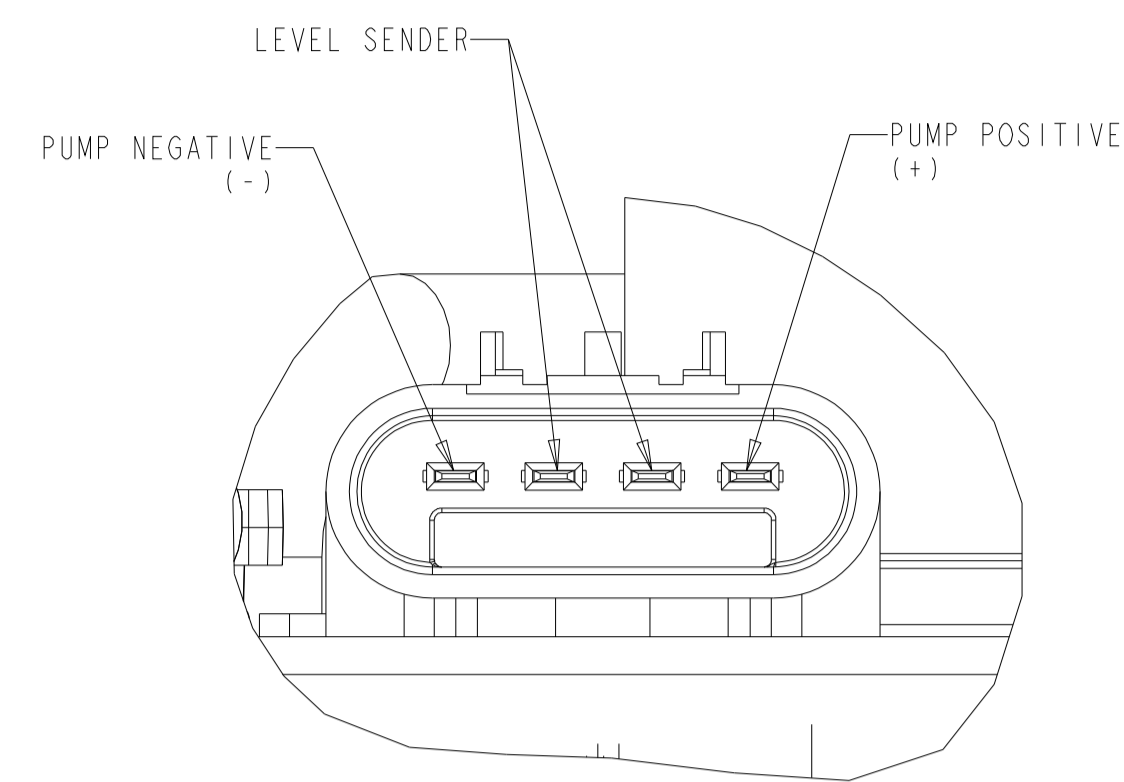
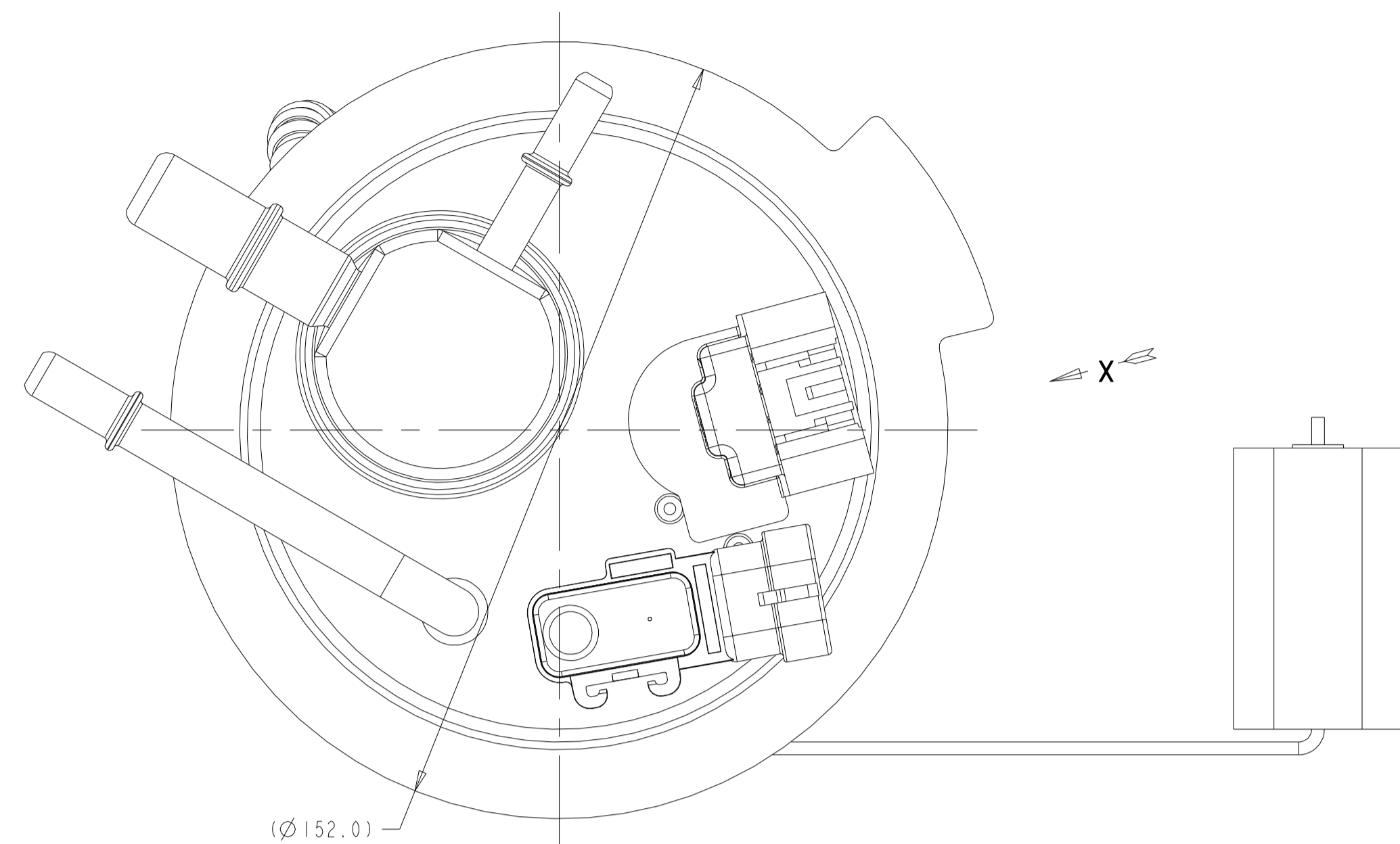


REVISIONS						
ZONE	LTR	DESCRIPTION	CHANGE No	DATE	BY	APPR'D
AA		INITIAL RELEASE		21OCT14	SLK	DJC
AB		UPDATE COVERPLATE	DR53394	02SEP15	JMM	BLM



LEVEL SENDER HEIGHT VS. RESISTANCE		
POSITION	HEIGHT	RESISTANCE
FULL STOP	255±1	40±3Ω
EMPTY STOP	8±1	250±3Ω

NOTES:

- CHANGE IN DESIGN, COMPOSITION, LOCATION OR PROCESSING FROM THE PART PREVIOUSLY APPROVED FOR PRODUCTION REQUIRES PRIOR APPROVAL BY TI AUTOMOTIVE.
- SPECIAL CUSTOMER PACKAGING REQUIREMENTS MAY CALL FOR THE ADDITION OF SPECIFIC LABELS NOT SHOWN ON THIS DRAWING.
- SHOWN WIRE ROUTING MAY DIFFER FROM FINISHED PRODUCT.
- MODULE TO BE PACKAGED USING COMPONENTS NOTED ON BOM SO THAT CONTAMINATION FROM FOREIGN MATERIAL IS PREVENTED:
 - PLUG PROTECTORS ON PORTS
 - POLYBAG

▽	DENOTES SAFETY CHARACTERISTIC
◇	DENOTES SIGNIFICANT CHARACTERISTIC
◆	DENOTES HIGH IMPACT CHARACTERISTIC
<small>TI AUTOMOTIVE CONFIDENTIAL AND PROPRIETARY THIS DRAWING IS PROPERTY OF TI AUTOMOTIVE. ALL RIGHTS ARE RESERVED. REPRODUCTION OR TRANSMISSION OF THIS DOCUMENT WITHOUT THE WRITTEN PERMISSION OF TI AUTOMOTIVE IS PROHIBITED. THIS DRAWING AND ANY PARTS OR SUBASSEMBLY THEREOF ARE TO BE USED ONLY FOR THE PURPOSES SPECIFIED IN THE DRAWING. ANY OTHER USE IS PROHIBITED. THE INFORMATION CONTAINED HEREIN IS UNCLASSIFIED AND IS NOT TO BE RELEASED TO THE PUBLIC OR TO ANY OTHER PARTY WITHOUT THE WRITTEN PERMISSION OF TI AUTOMOTIVE. THIS DRAWING IS UNCLASSIFIED AND IS NOT TO BE RELEASED TO THE PUBLIC OR TO ANY OTHER PARTY WITHOUT THE WRITTEN PERMISSION OF TI AUTOMOTIVE. ALL RIGHTS RESERVED.</small>	

METRIC			
ALL DIMENSIONS ARE IN MILLIMETERS			
DO NOT SCALE			
DECIMAL TOLERANCES UNLESS OTHERWISE SPECIFIED ONE PLACE ±0.25 TWO PLACE ±0.13 ANGLES ±1°			
THIRD ANGLE PROJECTION			
DIMENSIONS IN ACCORDANCE WITH ASME Y14.5 - 2009			
TI Automotive		630 COLUMBIA ST. CARO, MI 48123 +1 989.673.7127	
ENGINEER	D. CALEIN	21OCT14	MATERIAL SPECIFICATION:
DESIGNER	S. KADY	21OCT14	N/A
CAD SYSTEM: PROVE	SCALE: 1:1	SHEET NO. 1 OF 1	
REFERENCE TO: 2D: AR0038398/AB	SCALE: 1:1	PART REFERENCE: 0001131617AB	
REFERENCE TO: 3D: AR0038397/AB	SCALE: 1:1	PART REFERENCE: 0001131617AB	
DRAWING NAME: FUEL MODULE ASM (AFTMKT GMT900 HP, FFV)			
DATE: A0	DRAWING NUMBER: TU470HP		