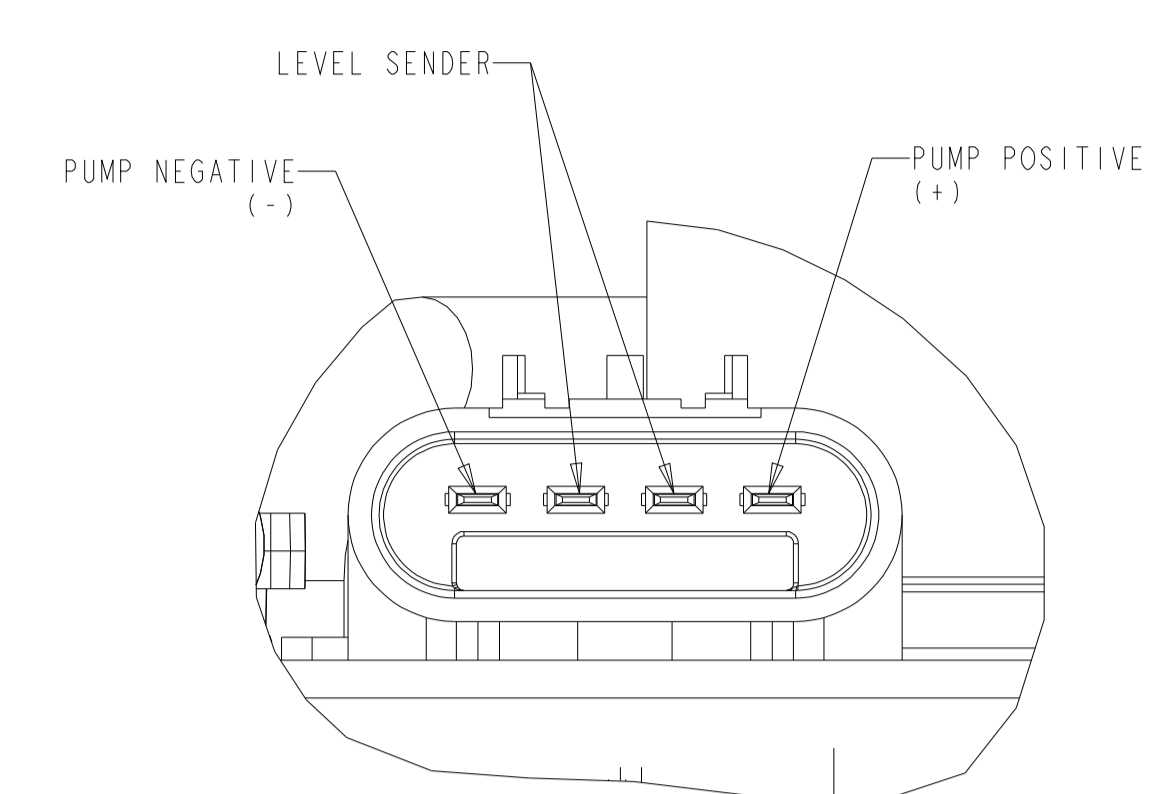
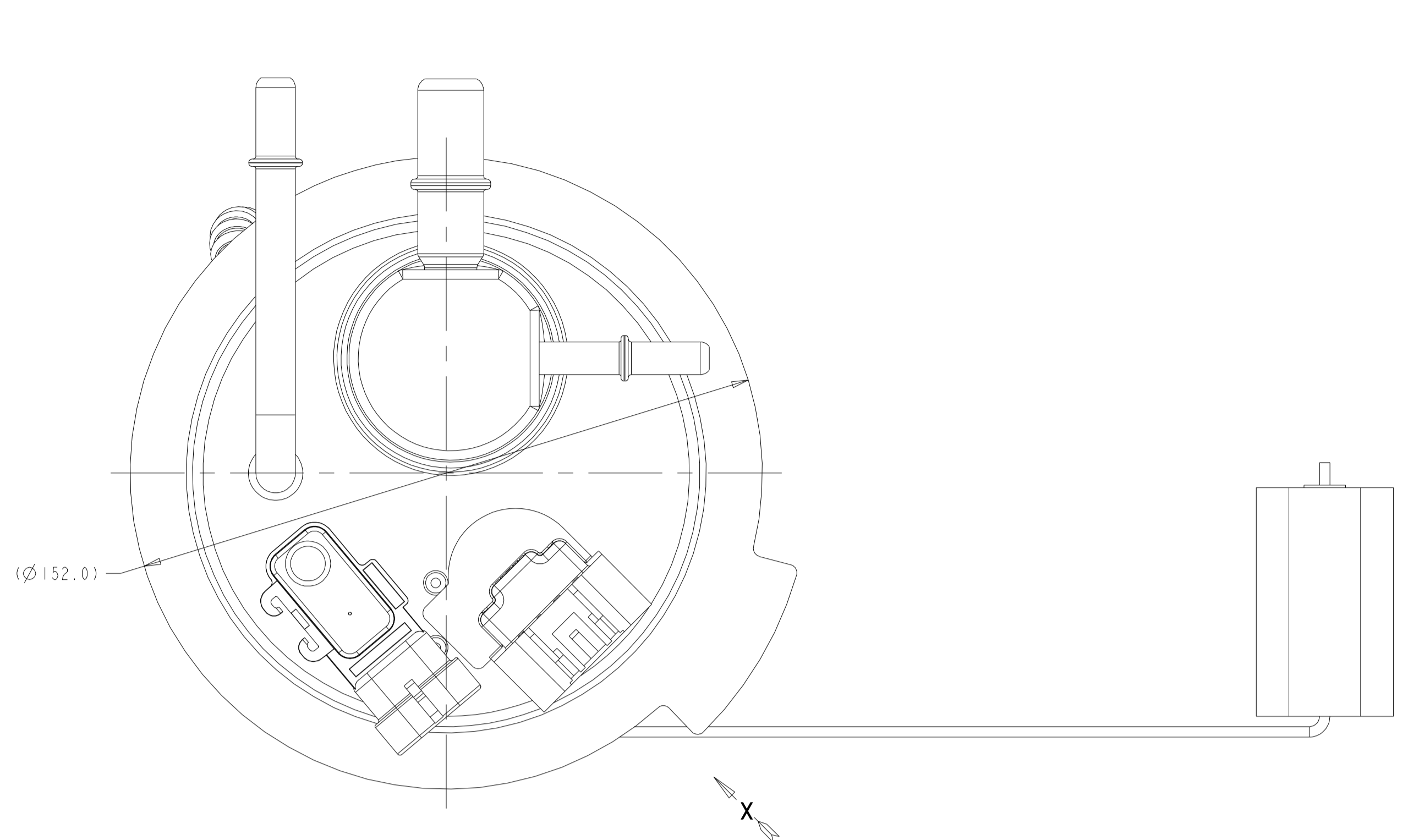
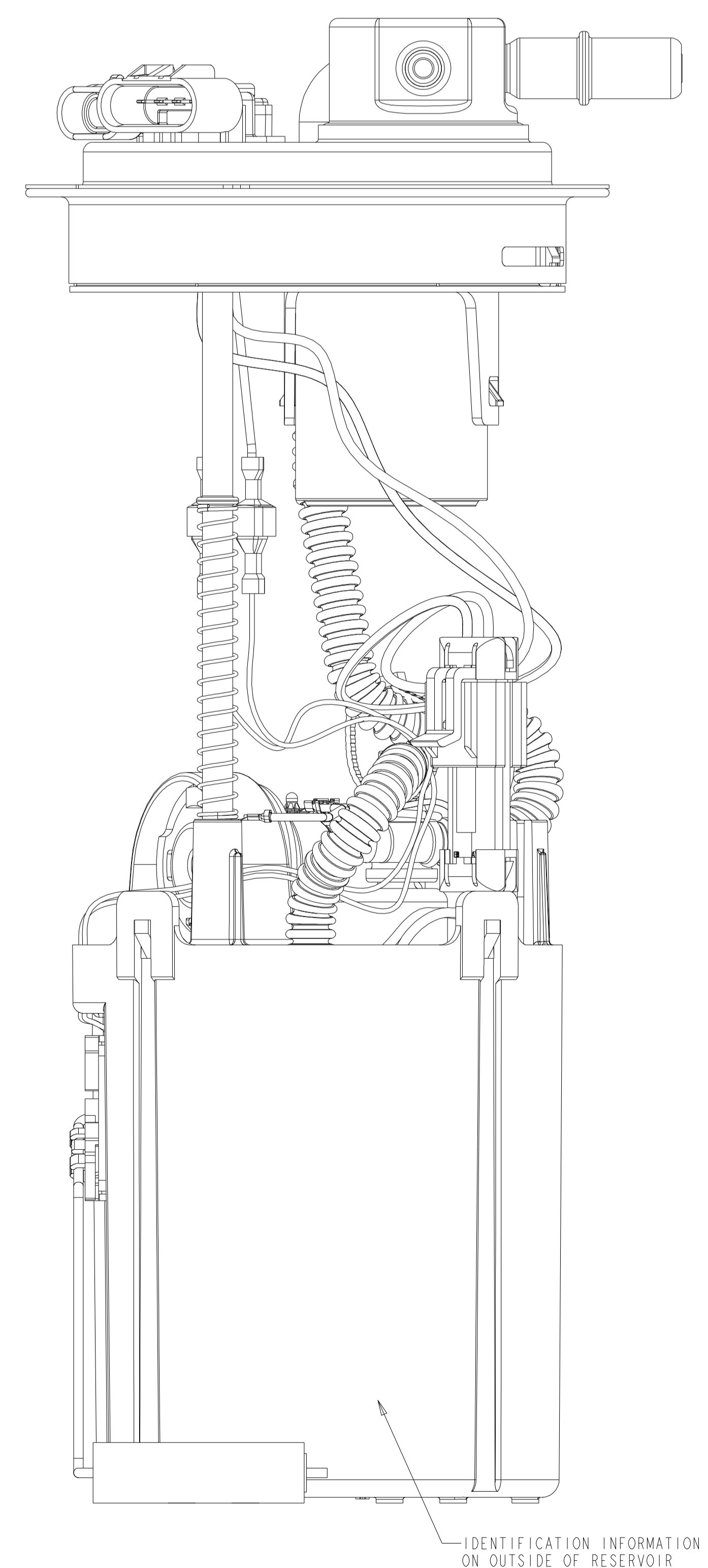
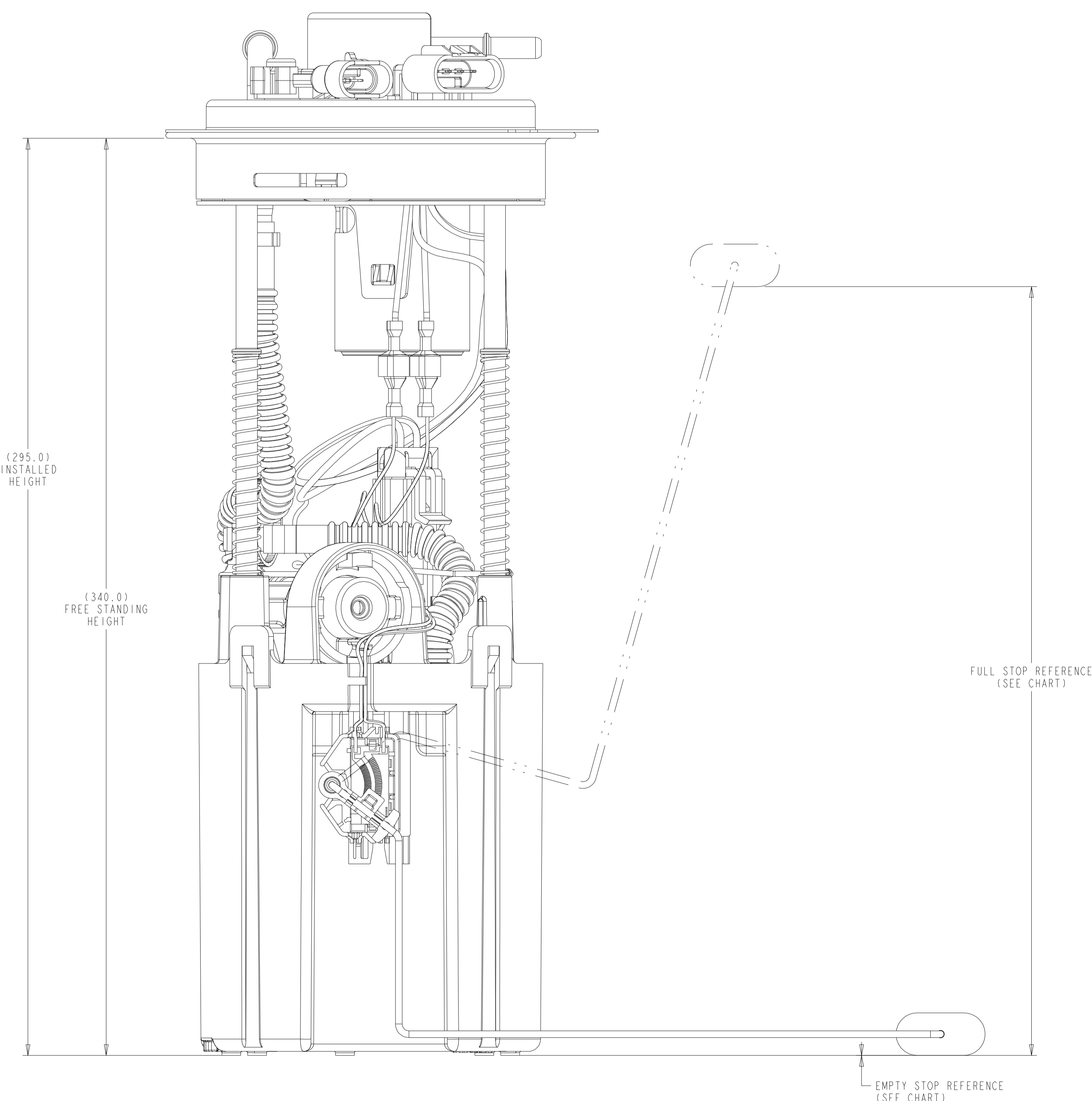


REVISIONS						
ZONE	LTR	DESCRIPTION	CHANGE No.	DATE	BY	APPRO'D
AA		INITIAL RELEASE	C-XXXX	19JAN12	SLX	DJC
AB		UPDATED COVERPLATE	DR53394	02SEP15	JMM	BLM



VIEW X  
SCALE 2:1



LEVEL SENDER HEIGHT VS. RESISTANCE		
POSITION	HEIGHT	RESISTANCE
FULL STOP	285±1	40±3Ω
EMPTY STOP	0±1	250±3Ω

- NOTES:
- CHANGE IN DESIGN, COMPOSITION, LOCATION OR PROCESSING FROM THE PART PREVIOUSLY APPROVED FOR PRODUCTION REQUIRES PRIOR APPROVAL BY TI AUTOMOTIVE.
  - SPECIAL CUSTOMER PACKAGING REQUIREMENTS MAY CALL FOR THE ADDITION OF SPECIFIC LABELS NOT SHOWN ON THIS DRAWING.
  - SHOWN WIRE ROUTING MAY DIFFER FROM FINISHED PRODUCT.
  - MODULE TO BE PACKAGED USING COMPONENTS NOTED ON BOM SO THAT CONTAMINATION FROM FOREIGN MATERIAL IS PREVENTED:
    - PLUG PROTECTORS ON PORTS
    - POLYBAG

METRIC  
ALL DIMENSIONS ARE IN MILLIMETERS

DO NOT SCALE

DECIMAL TOLERANCES UNLESS OTHERWISE SPECIFIED:  
ONE PLACE ±0.25 TWO PLACE ±0.13 ANGLES ±1°

THIRD ANGLE PROJECTION  
DIMENSIONS IN ACCORDANCE WITH ASME Y14.5 - 2009

630 COLUMBIA ST.  
CARO, MI 48123  
+1 989.673.7127

ENGINEER	D. CALEIN	08AP13	MATERIAL SPECIFICATION:
DES. MANAGER	S. KADY	08AP13	NA
DESIGNER	S. KADY	08AP13	

CAD SYSTEM: PROVE SCALE: 1:1 SHEET NO. 1 OF 1

REFERENCE TYPING:	PLW REFERENCE KEY:
2D: AR0034361/AB	0001102547AB
	PLW REFERENCE KEY:
	3D: AR0034630/AB

DRAWING NAME:  
FUEL MODULE ASSEMBLY (AFT GMT900 HP)

DATE:	DRAWING NUMBER:
A0	TU464HP

◊ DENOTES SAFETY CHARACTERISTIC  
 ◊ DENOTES SIGNIFICANT CHARACTERISTIC  
 ⬤ DENOTES HIGH IMPACT CHARACTERISTIC

© 2015 AUTOMOTIVE COMPONENTS, INC. PROPRIETARY  
 THIS DRAWING IS PROPERTY OF TI AUTOMOTIVE. ALL RIGHTS ARE RESERVED.  
 PERMITTED REUSE AND MODIFICATION OF THIS DOCUMENT IS LIMITED TO THE  
 ORIGINAL INTENDED PURPOSE AND IS NOT TO BE REPRODUCED FOR OTHER  
 PURPOSES WITHOUT THE WRITTEN PERMISSION OF TI AUTOMOTIVE.  
 DRAWING IS PROVIDED FOR INFORMATION ONLY AND IS NOT TO BE USED AS A  
 BASIS FOR ANY CLAIMS OR DAMAGES. TI AUTOMOTIVE ASSUMES NO LIABILITY  
 FOR ERRORS OR OMISSIONS. ALL DIMENSIONS ARE IN MILLIMETERS UNLESS  
 OTHERWISE SPECIFIED. TI AUTOMOTIVE 2015. ALL RIGHTS RESERVED.