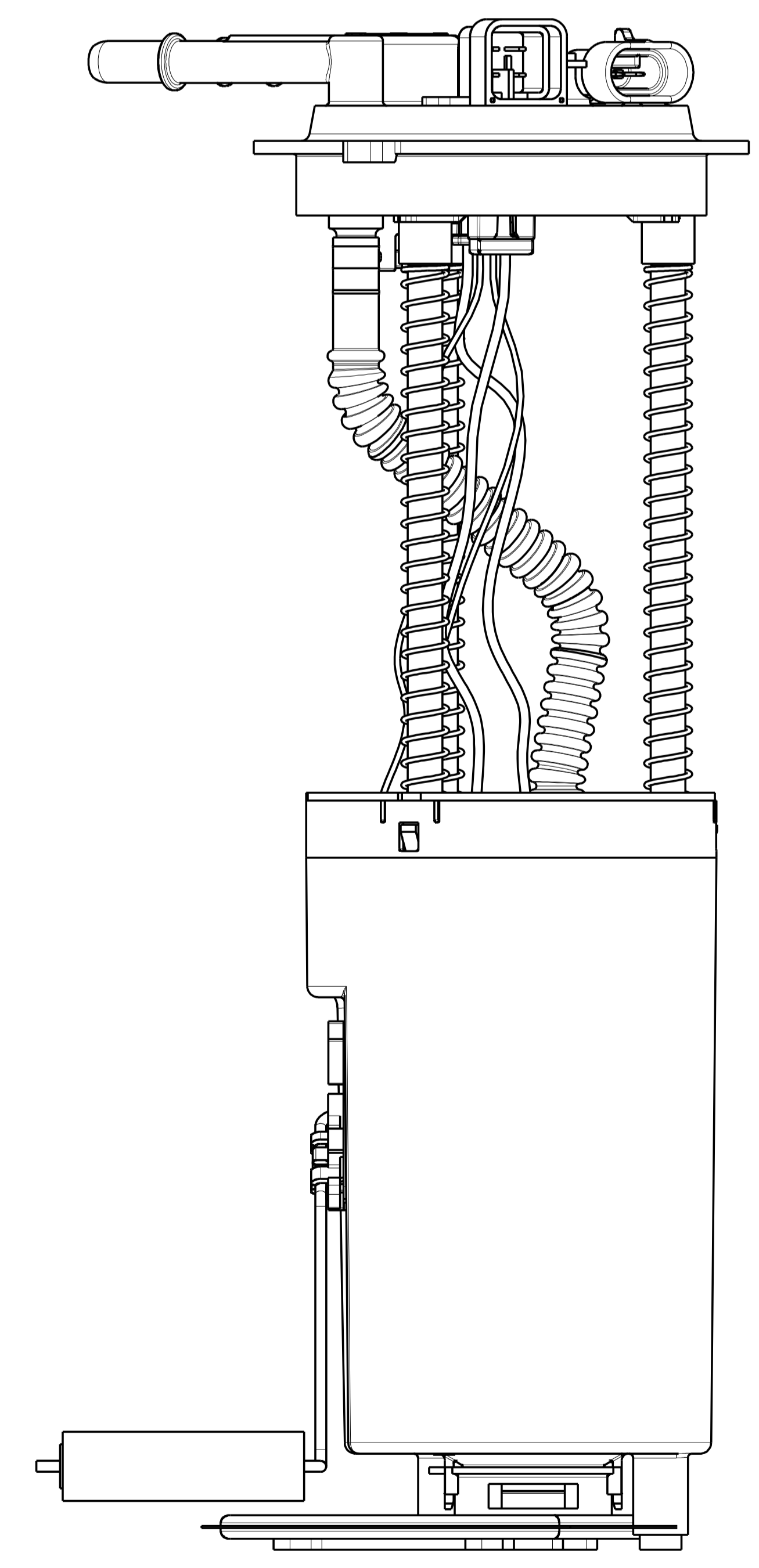
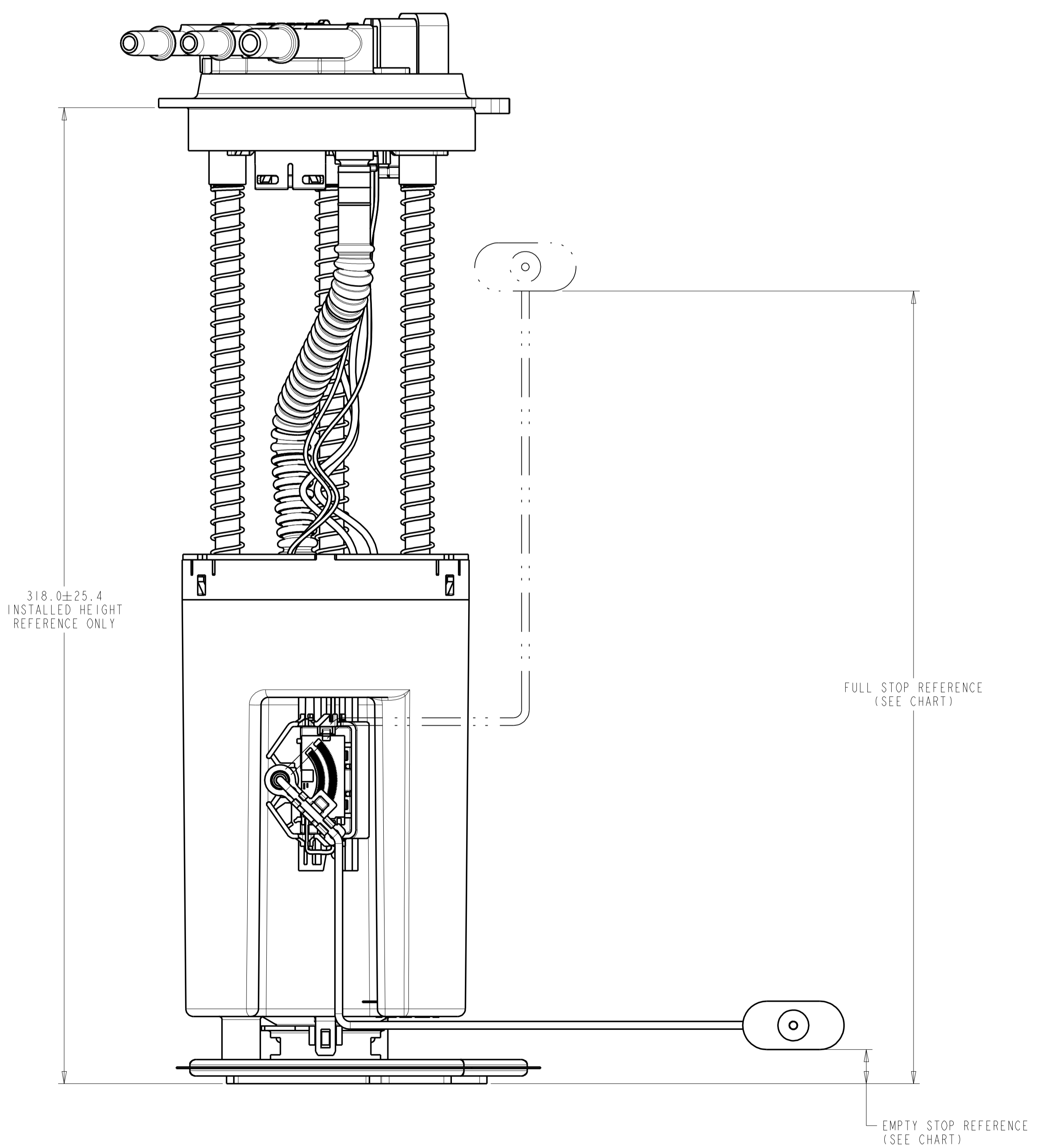
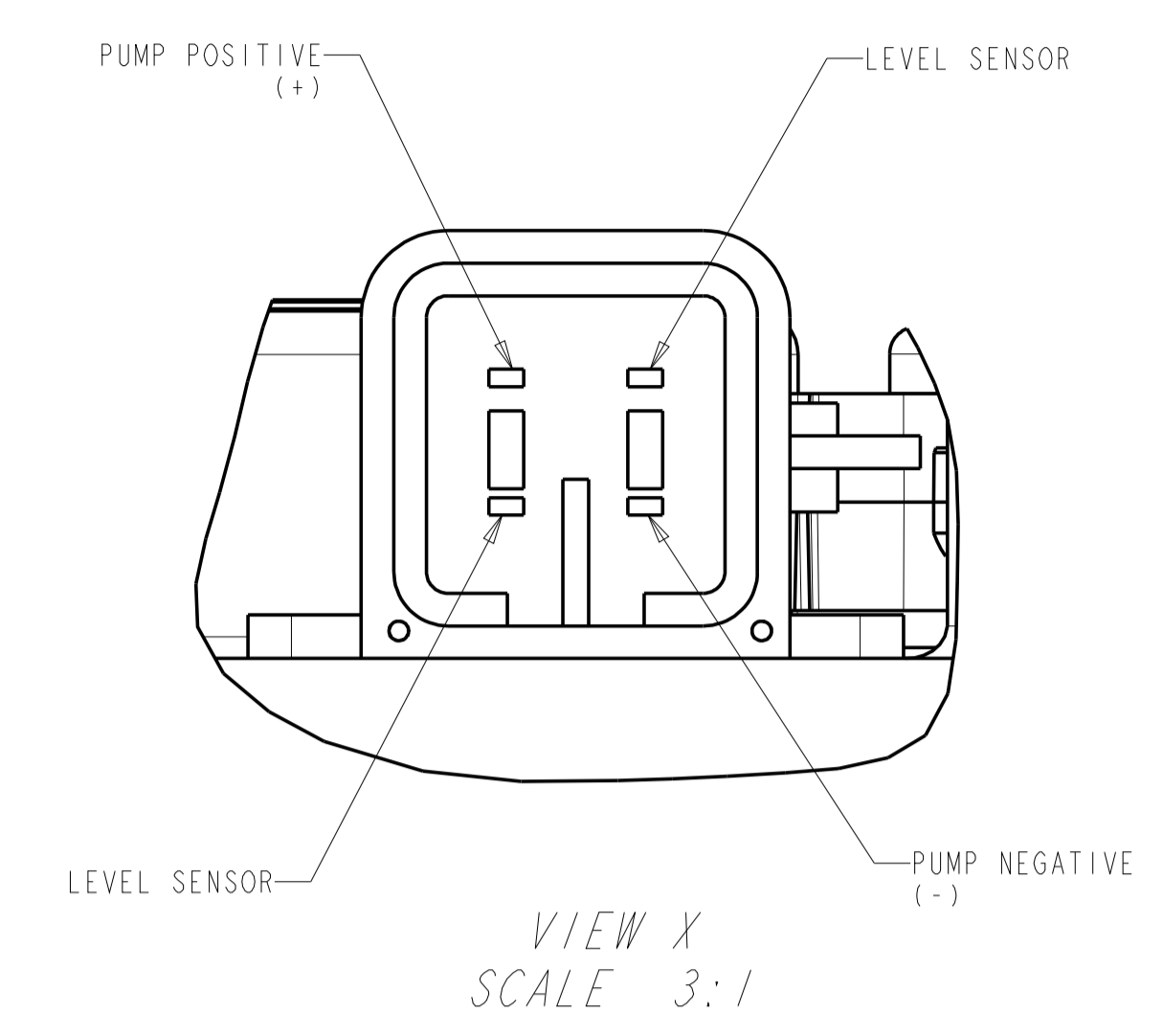
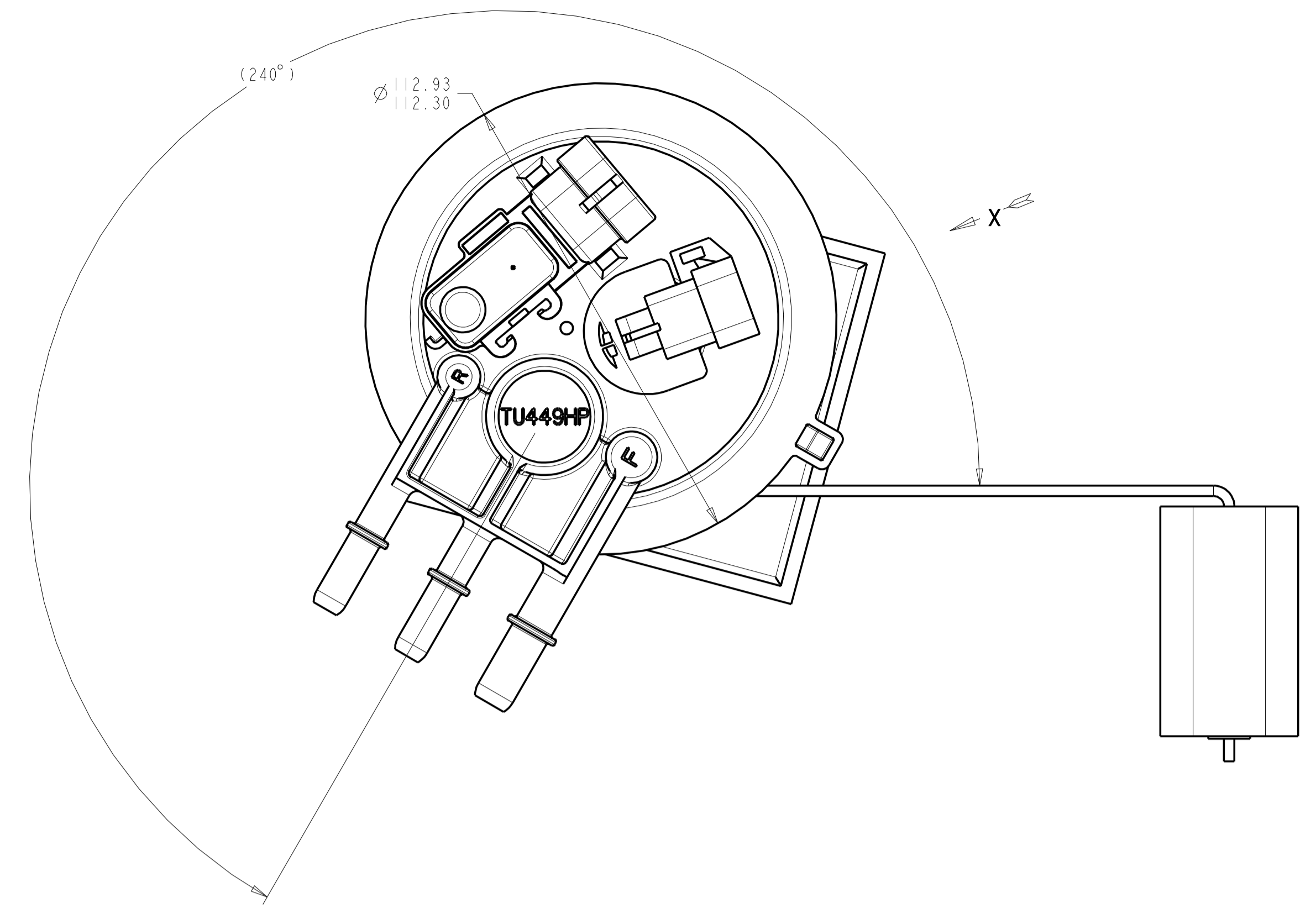


REVISIONS						
ZONE	LTR	DESCRIPTION	CHANGE No	DATE	BY	APPR'D
AA		INITIAL RELEASE	DR46332	23APR14	SLK	BLM



LEVEL SENDER		
POINT	HEIGHT	OHMS
FULL STOP	257.2	250
EMPTY STOP	10.0	40

- NOTES:
- CHANGE IN DESIGN, COMPOSITION, LOCATION OR PROCESSING FROM THE PART PREVIOUSLY APPROVED FOR PRODUCTION REQUIRES PRIOR APPROVAL BY TI AUTOMOTIVE.
 - PUMP USED: F20000178
 - MODULE TO BE PACKAGED USING COMPONENTS NOTED ON BOM SO THAT CONTAMINATION FROM FOREIGN MATERIAL IS PREVENTED:
 - PLUG PROTECTORS ON PORTS
 - POLYBAG

▽ DENOTES SAFETY CHARACTERISTIC
 ◊ DENOTES SIGNIFICANT CHARACTERISTIC
 ◆ DENOTES HIGH IMPACT CHARACTERISTIC

METRIC
 ALL DIMENSIONS ARE IN MILLIMETERS
 DO NOT SCALE
 DECIMAL TOLERANCES UNLESS OTHERWISE SPECIFIED
 ONE PLACE = 0.25 TWO PLACE = 0.13 ANGLES = 1°
 THIRD ANGLE PROJECTION
 DIMENSIONS IN ACCORDANCE WITH ASME Y14.5 - 2009

TI Automotive
 630 COLUMBIA ST.
 CARO, MI 48123
 +1 989.673.7127

ENGINEER	B. WIDDLETON	23APR14	MATERIAL SPECIFICATION:
DES. MANAGER			N/A
DESIGNER	S. KADY	23APR14	

CAD SYSTEM: PROVE SCALE: 1:1 SHEET NO. 1 OF 1
 REFERENCE TOLERANCE: PUMP REFERENCE ONLY: 0001120947AA
 REFERENCE: 23APR14 PUMP REFERENCE ONLY: 0001120947AA
 2D: AR0036972/AA 3D: AR0036971/AA

DRAWING NAME: FUEL MODULE ASSEMBLY (AFTMKT GM, GAS, HP)
 TITLE: AD DRAWING NUMBER: TU449HP

L
K
J
I
H
G
F
E
D
C
B
A

16 15 14 13 12 11 10 9 8 7 6 5 4 3 2 1