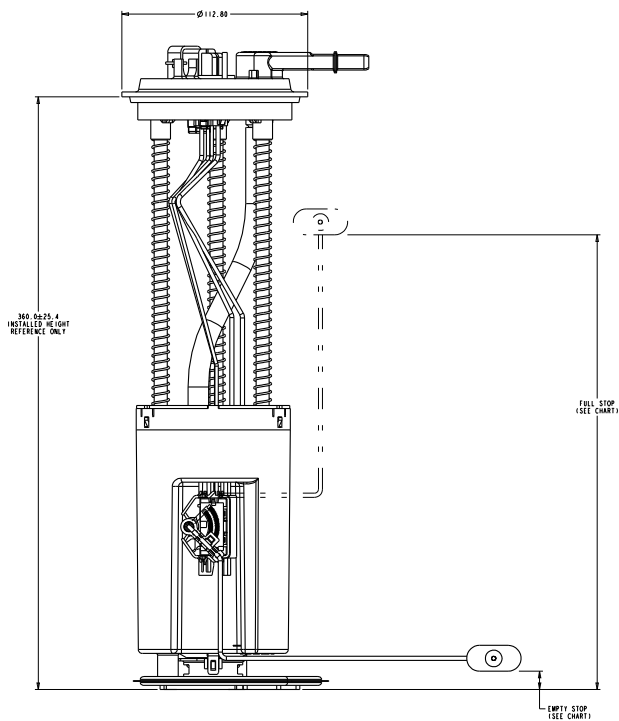
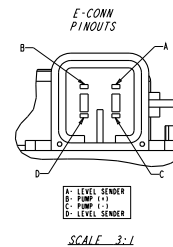
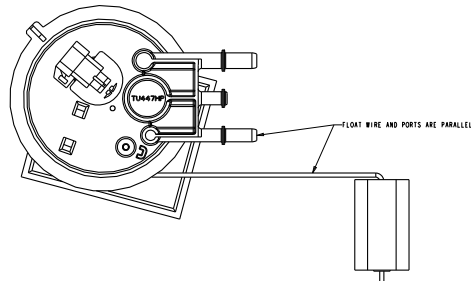


REVISIONS						
ZONE	LTN	DESCRIPTION	ECN NO.	DATE	BY	APPR.
A		RELEASED FOR PRODUCTION		12/28/11	JACOSTA	SLE   CEN



LEVEL SENDER		
POINT	HEIGHT	COMP.
FULL STOP	275.0	250.0
EMPTY STOP	10.0	40.0

NOTES:

1. CHANGE IN DESIGN, COMPOSITION, LOCATION OR PROCESSING FROM THE PART PREVIOUSLY APPROVED FOR PRODUCTION REQUIRES PRIOR APPROVAL BY TI AUTOMOTIVE
2. PUMP USED: F20000178
3. MODULE TO BE PACKAGED USING COMPONENTS LISTED ON SON SO THAT CONTAMINATION FROM FOREIGN MATERIAL IS PREVENTED:
  - PLUG PROTECTORS ON PORTS
  - POLYBAG

INTERNAL USE ONLY DISTRIBUTION CODE	<b>TI Automotive</b>		APPROVED BY: <b>AF</b>	DATE: 12/28/11
REV.:	DATE:	MATERIAL:	BY:	APPR.:
DO NOT SCALE FROM DIMENSIONS ARE TO CENTER UNLESS OTHERWISE SPECIFIED	SIZE: 1:1	ITERATION: 1	DESIGNER: C. HOCKMAN	DRAWING NO.: T244TRP A
UNCONTROLLED REVISIONS: 1. REVISED TO MEET REQUIREMENTS OF AUTOMOTIVE QUALITY STANDARD 2. REVISED TO MEET REQUIREMENTS OF AUTOMOTIVE QUALITY STANDARD	PRODUCTION	TITLE: TOP LEVEL ASSEMBLY	SCALE: 1:1	DATE: 12/28/11