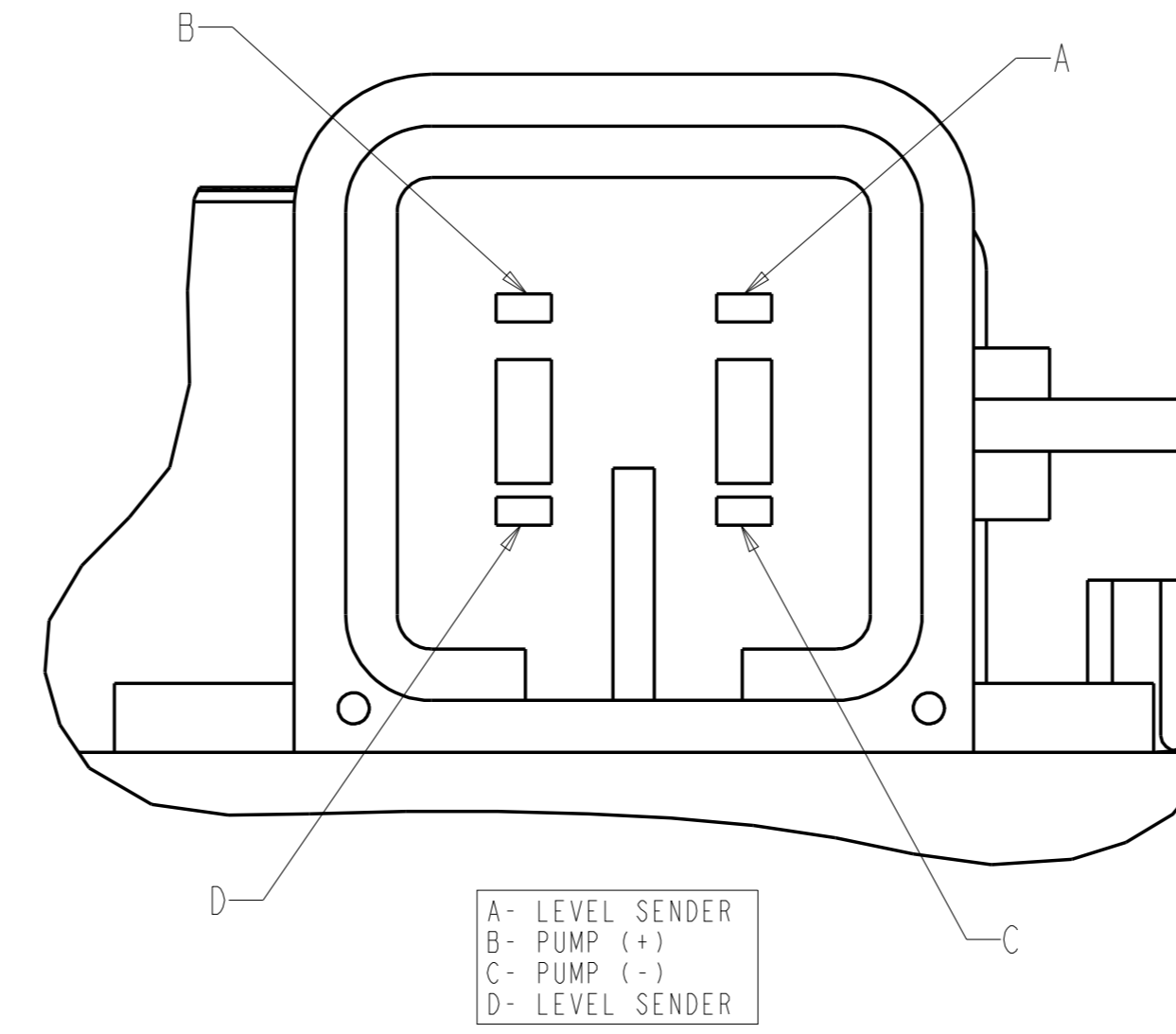
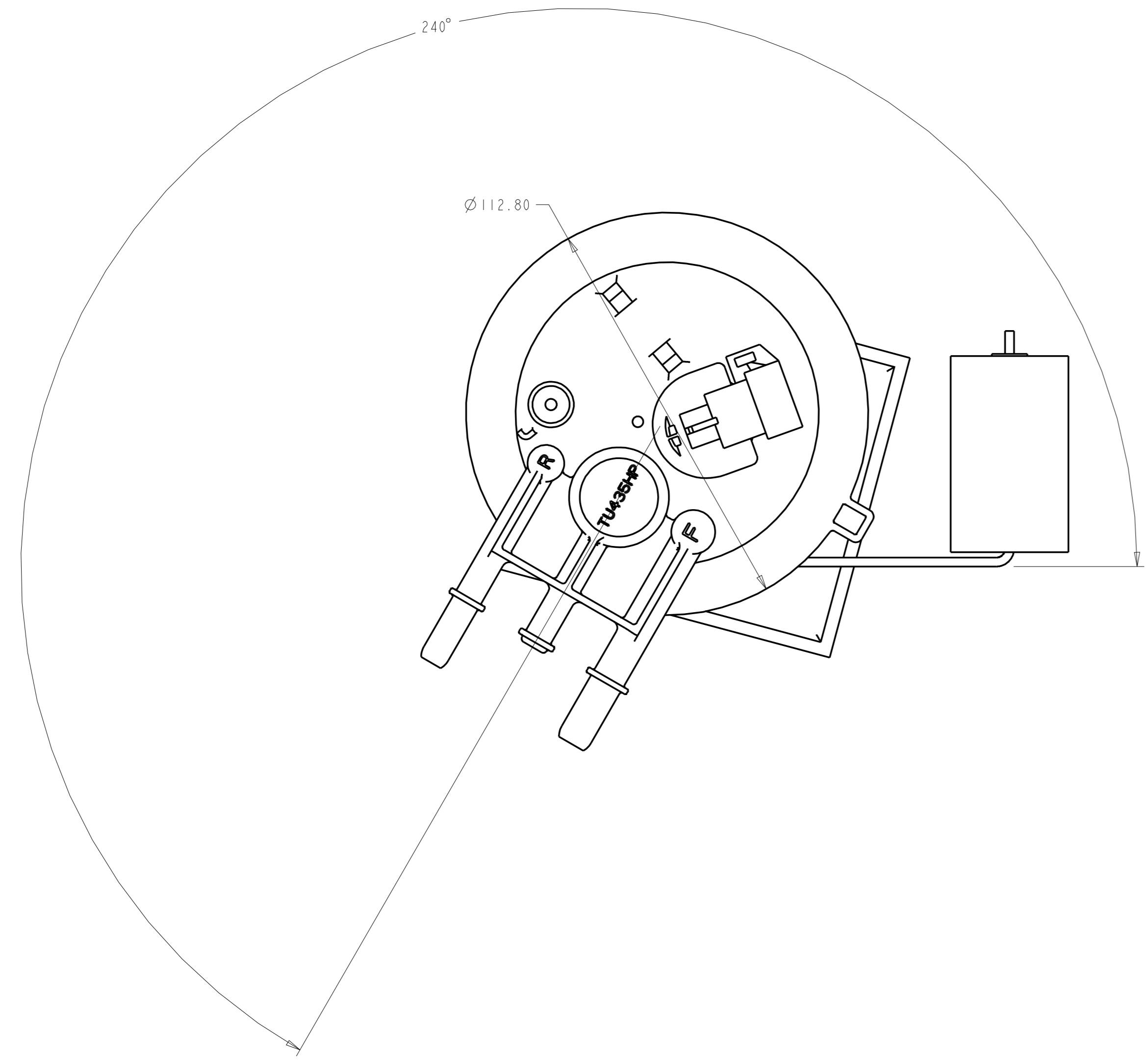
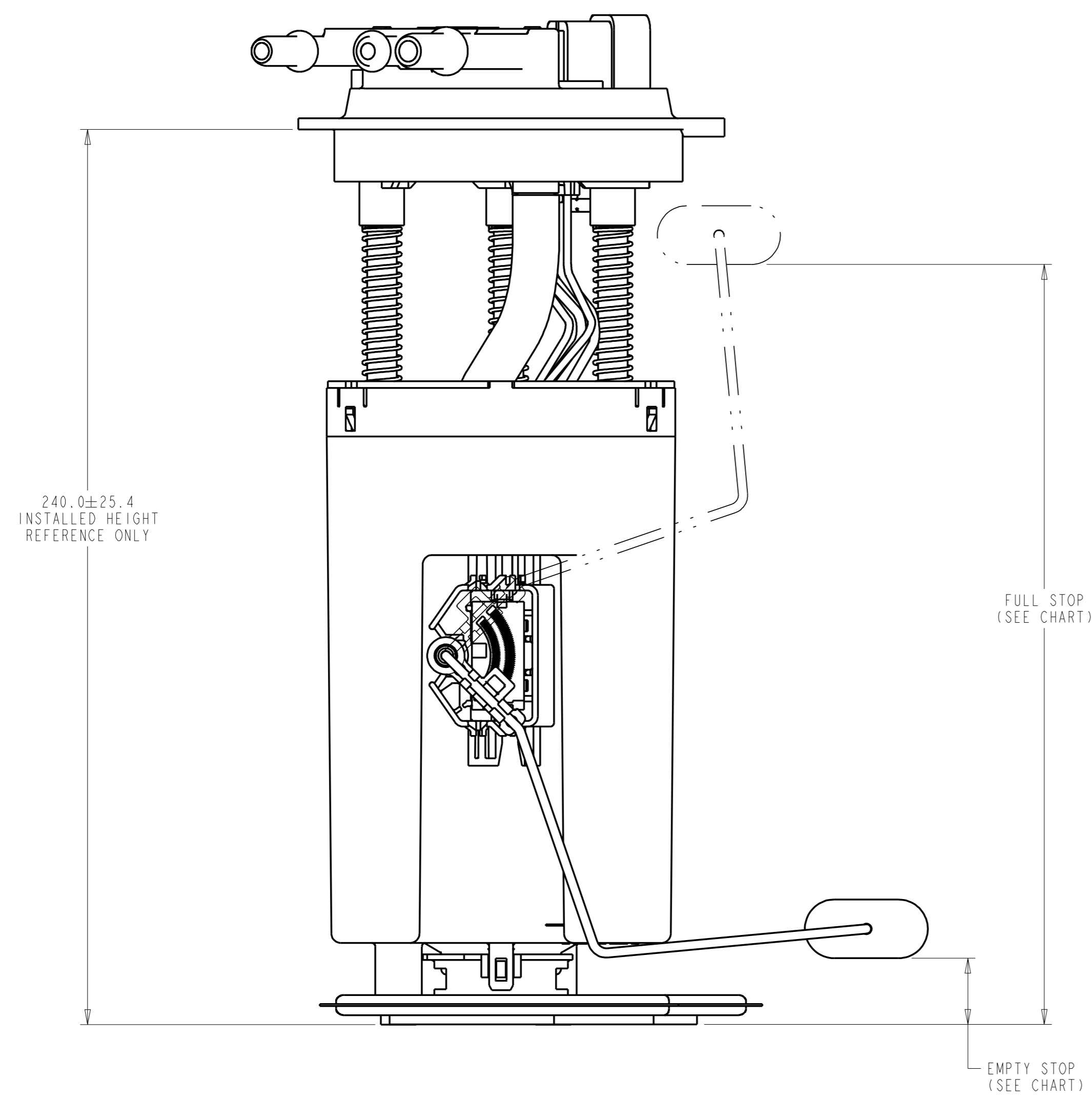


REVISIONS						
ZONE	LTR.	DESCRIPTION	ECN NO.	DATE	BY	APPR'D
A		RELEASED FOR PRODUCTION	72388	14OCT09	SLK	CFH



A- LEVEL SENDER  
 B- PUMP (+)  
 C- PUMP (-)  
 D- LEVEL SENDER

E-CONN  
 PINOUTS  
 SCALE 5:1



240.0±25.4  
 INSTALLED HEIGHT  
 REFERENCE ONLY

FULL STOP  
 (SEE CHART)

EMPTY STOP  
 (SEE CHART)

LEVEL SENDER		
POINT	HEIGHT	OHMS
FULL STOP	204.2	250.0
EMPTY STOP	18.2	40.0

- NOTES:
- CHANGE IN DESIGN, COMPOSITION, LOCATION OR PROCESSING FROM THE PART PREVIOUSLY APPROVED FOR PRODUCTION REQUIRES PRIOR APPROVAL BY TI AUTOMOTIVE.
  - PUMP USED: F20000178
  - MODULE TO BE PACKAGED USING COMPONENTS NOTED ON BOM SO THAT CONTAMINATION FROM FOREIGN MATERIAL IS PREVENTED:
    - PLUG PROTECTORS ON PORTS
    - POLYBAG

INTERNAL USE ONLY DISTRIBUTION CODE		<b>TI Automotive</b>		AFTERMARKET DIVISION 630 COLUMBIA STREET CARO, MICHIGAN 48723	
REF: AF	SCALE: 1:1	DATE: 14OCT09	DRN: BY: S. KADY	CHAR: BY:	APPR'D BY: C. HOCKMAN
DO NOT SCALE PRINT	TOLERANCE UNLESS OTHERWISE SPECIFIED: .00 TO .01	FINISH: .00 TO .01	PRODUCTION	DRAWING NO. TU435HP	REV. A
DIMENSIONS AND TOLERANCES PER ANSI/ASME Y14.5M - 1994	ANGLE CORNEN. .00 TO .01	PRODUCTION	TITLE: TOP LEVEL ASSEMBLY		
<small>           THIS DRAWING IS UNCLASSIFIED TO THE PUBLIC. IT IS THE PROPERTY OF TI AUTOMOTIVE. IT IS TO BE USED ONLY FOR THE PURPOSES SPECIFIED. IT IS NOT TO BE REPRODUCED, COPIED, OR TRANSMITTED IN ANY FORM OR BY ANY MEANS, ELECTRONIC OR MECHANICAL, INCLUDING PHOTOCOPYING, RECORDING, OR BY ANY INFORMATION STORAGE AND RETRIEVAL SYSTEM. TI AUTOMOTIVE ASSUMES NO LIABILITY FOR THE USE OF THIS DRAWING FOR ANY PURPOSES OTHER THAN THAT FOR WHICH IT WAS DESIGNED. TI AUTOMOTIVE ASSUMES NO LIABILITY FOR THE USE OF THIS DRAWING FOR ANY PURPOSES OTHER THAN THAT FOR WHICH IT WAS DESIGNED. TI AUTOMOTIVE ASSUMES NO LIABILITY FOR THE USE OF THIS DRAWING FOR ANY PURPOSES OTHER THAN THAT FOR WHICH IT WAS DESIGNED.         </small>					

D

C

B

A

4

3

2