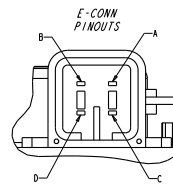
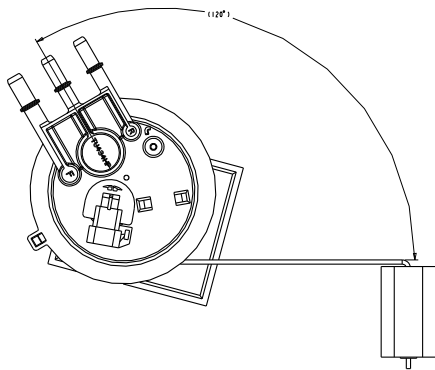
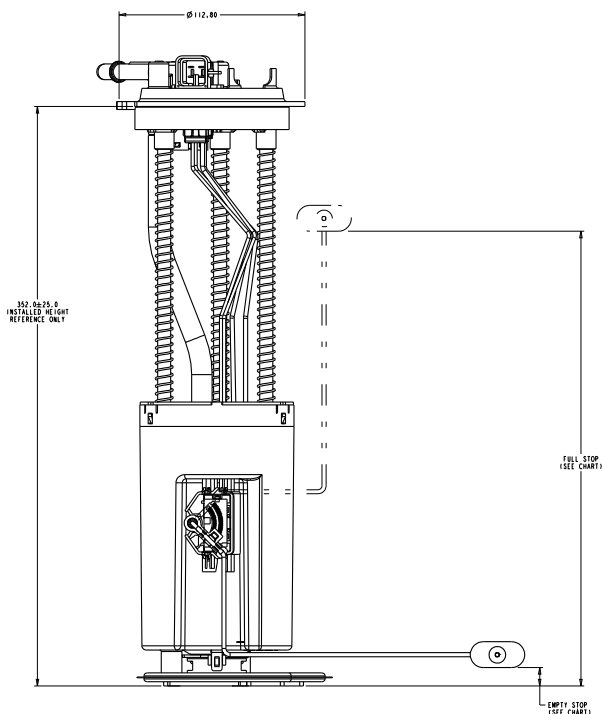


REVISIONS						
ZONE	LTN	DESCRIPTION	ECN NO.	DATE	BY	APPR
A		RELEASED FOR PRODUCTION		12/81	(ADDRESS)	SLE   CEN



A- LEVEL SENDER  
 B- PUMP (+)  
 C- PUMP (-)  
 D- LEVEL SENDER

SCALE 3-1



LEVEL SENDER		
POINT	HEIGHT	COMP
FULL STOP	275.0	250.0
EMPTY STOP	10.0	40.0

- NOTES:
- CHANGE IN DESIGN, COMPOSITION, LOCATION OR PROCESSING FROM THE PART PREVIOUSLY APPROVED FOR PRODUCTION REQUIRES PRIOR APPROVAL BY TI AUTOMOTIVE.
  - PUMP USED: F2000078
  - MODULE TO BE PACKAGED USING COMPONENTS NOTED ON BOM SO THAT CONTAMINATION FROM FOREIGN MATERIAL IS PREVENTED:
    - PLUG PROTECTORS ON PORTS
    - POLYBAG

INTERNAL USE ONLY DISTRIBUTION CODE	<b>TI Automotive</b>		AFFIRMATION: CUSTOMER AND SUPPLIER COMMIT TO QUALITY	
REV.:	DATE:	MATERIAL:	BY:	APPR:
DO NOT SCALE FROM DRAWING	SIZE:	ITERATION:	DATE:	BY:
DESIGNED BY: [Signature]	DESIGNED BY: [Signature]	DESIGNED BY: [Signature]	DESIGNED BY: [Signature]	DESIGNED BY: [Signature]
DRIVEN BY: [Signature]	DRIVEN BY: [Signature]	DRIVEN BY: [Signature]	DRIVEN BY: [Signature]	DRIVEN BY: [Signature]
DATE: [Date]	DATE: [Date]	DATE: [Date]	DATE: [Date]	DATE: [Date]
TITLE: TOP LEVEL ASSEMBLY	DATE: [Date]	DATE: [Date]	DATE: [Date]	DATE: [Date]