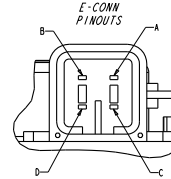
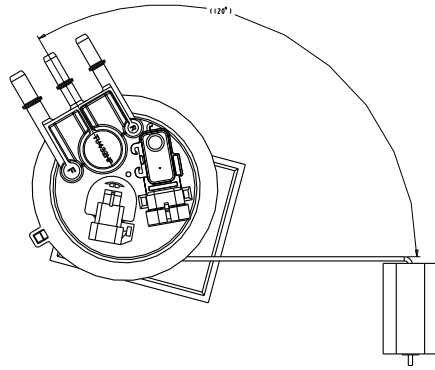
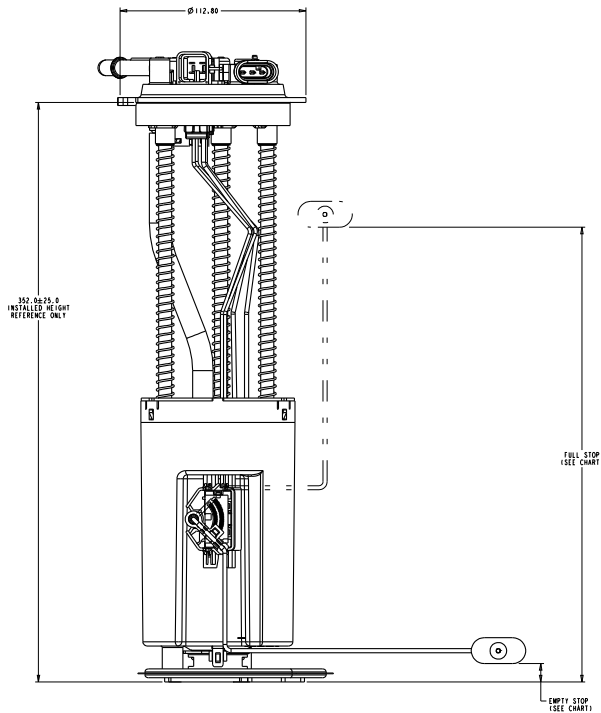


REVISIONS						
ZONE	LTN	DESCRIPTION	ECN NO.	DATE	BY	APPV
A		RELEASED FOR PRODUCTION	72384	1/20/08	SLK	CEH



A- LEVEL SENDER
 B- PUMP (+)
 C- PUMP (-)
 D- LEVEL SENDER

SCALE 3:1



352.00 ± 0.8
 INSTALLED HEIGHT
 REFERENCE ONLY

FUEL STOP
 (SEE CHART)

EMPTY STOP
 (SEE CHART)

LEVEL SENDER		
POINT	HEIGHT	CHRS
FUEL STOP	275.0	250.0
EMPTY STOP	10.0	40.0

NOTES:

- CHANGE IN DESIGN, COMPOSITION, LOCATION OR PROCESSING FROM THE PART PREVIOUSLY APPROVED FOR PRODUCTION REQUIRES PRIOR APPROVAL BY TI AUTOMOTIVE
- PUMP USED: T2000178
- MODULE TO BE PACKAGED USING COMPONENTS NOTED ON BOM SO THAT CONTAMINATION FROM FOREIGN MATERIAL IS PREVENTED:
 - PLUG PROTECTORS ON PORTS
 - POLYBAG

INTERNAL USE ONLY DISTRIBUTION CODE		TI Automotive		AFFIRMATIVE GROWTH HOW? WE CANIMPROVE CARE, SECURITY, GROWTH	
REV.:	DATE:	MATERIAL:	GRADE:	EQUIV. PART NO.:	
DO NOT SCALE FROM DRAWING	SIZE:	FINISH:	STRENGTH:	DESIGNER: C. JOCKMAN	
PRODUCTION:	DATE:	QUANTITY:	DATE:	DRAWING NO.: TUEV TU432HP A	
TITLE: TOP LEVEL ASSEMBLY		SCALE: 1:1			