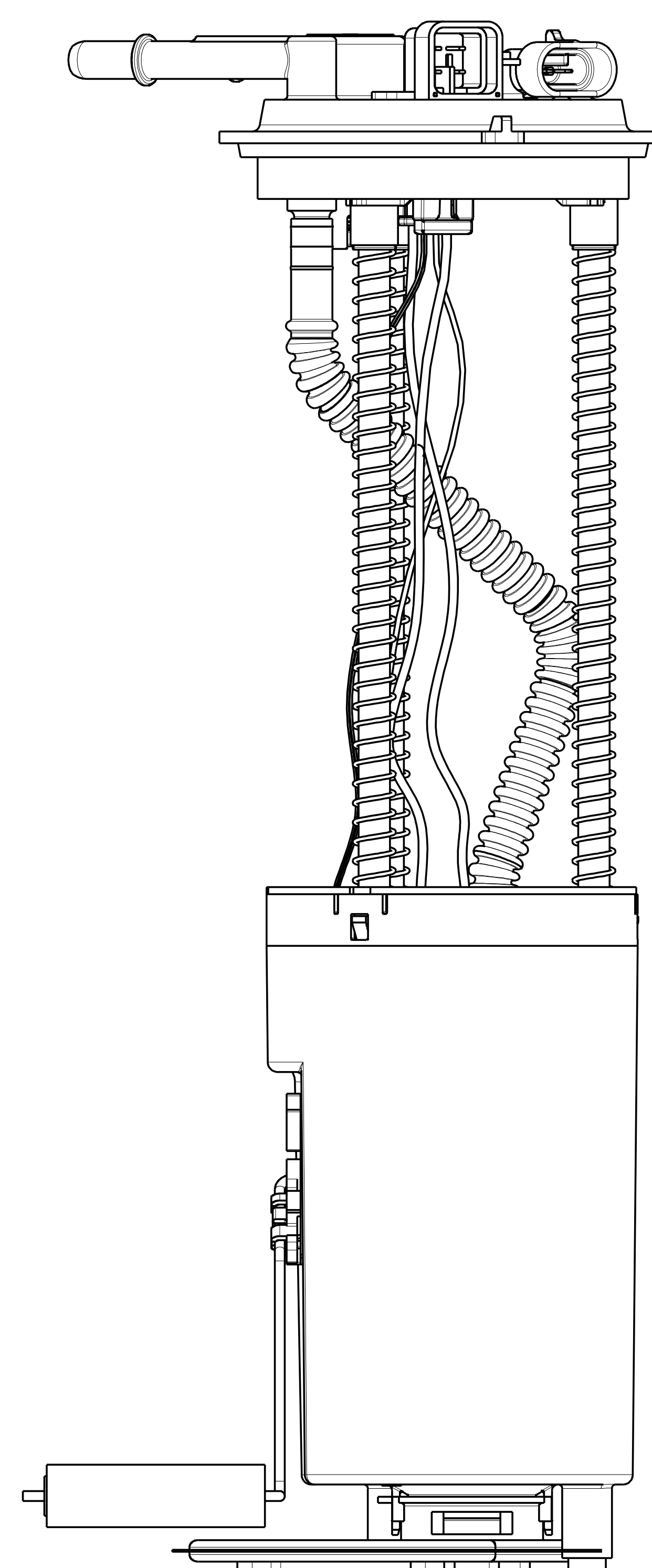
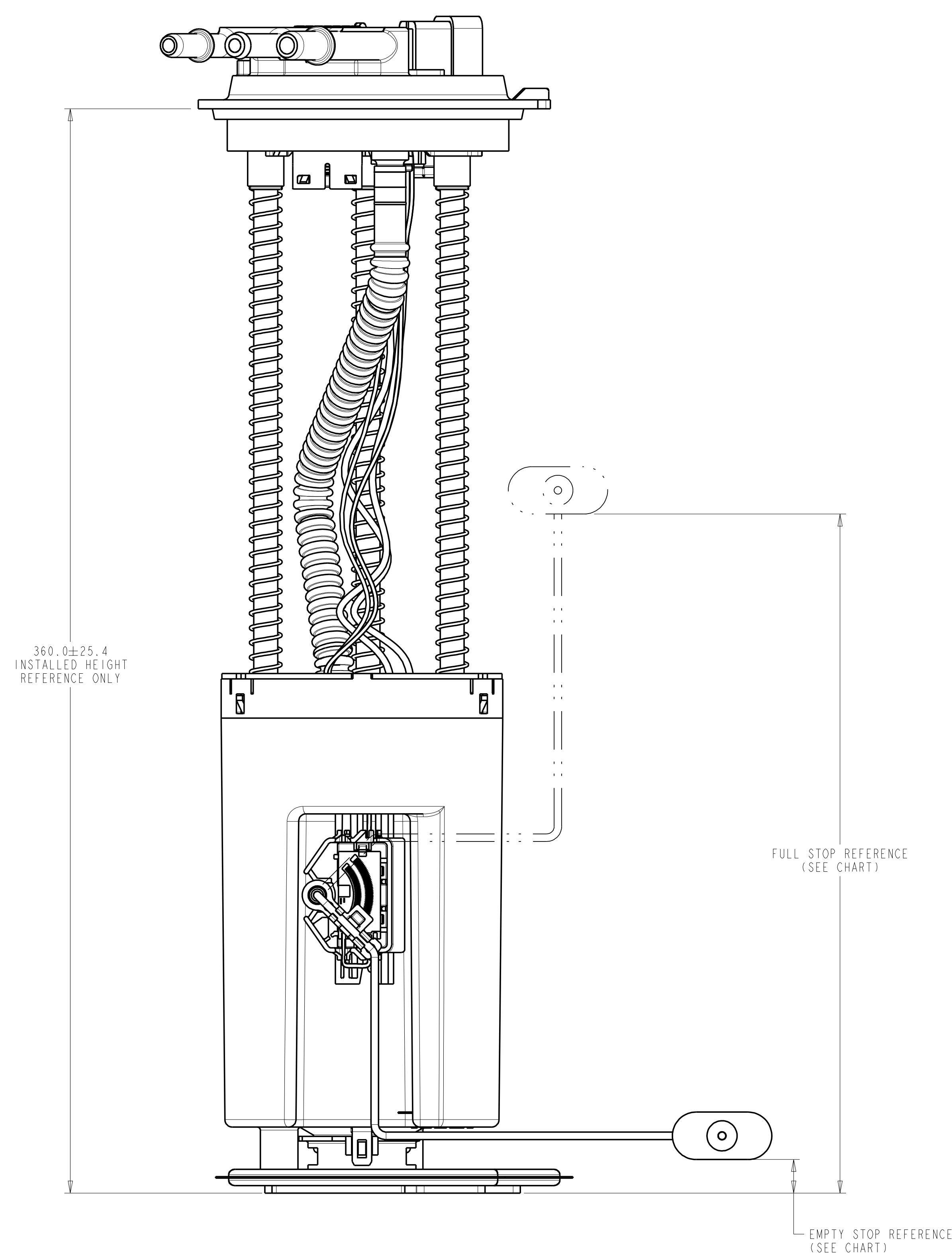
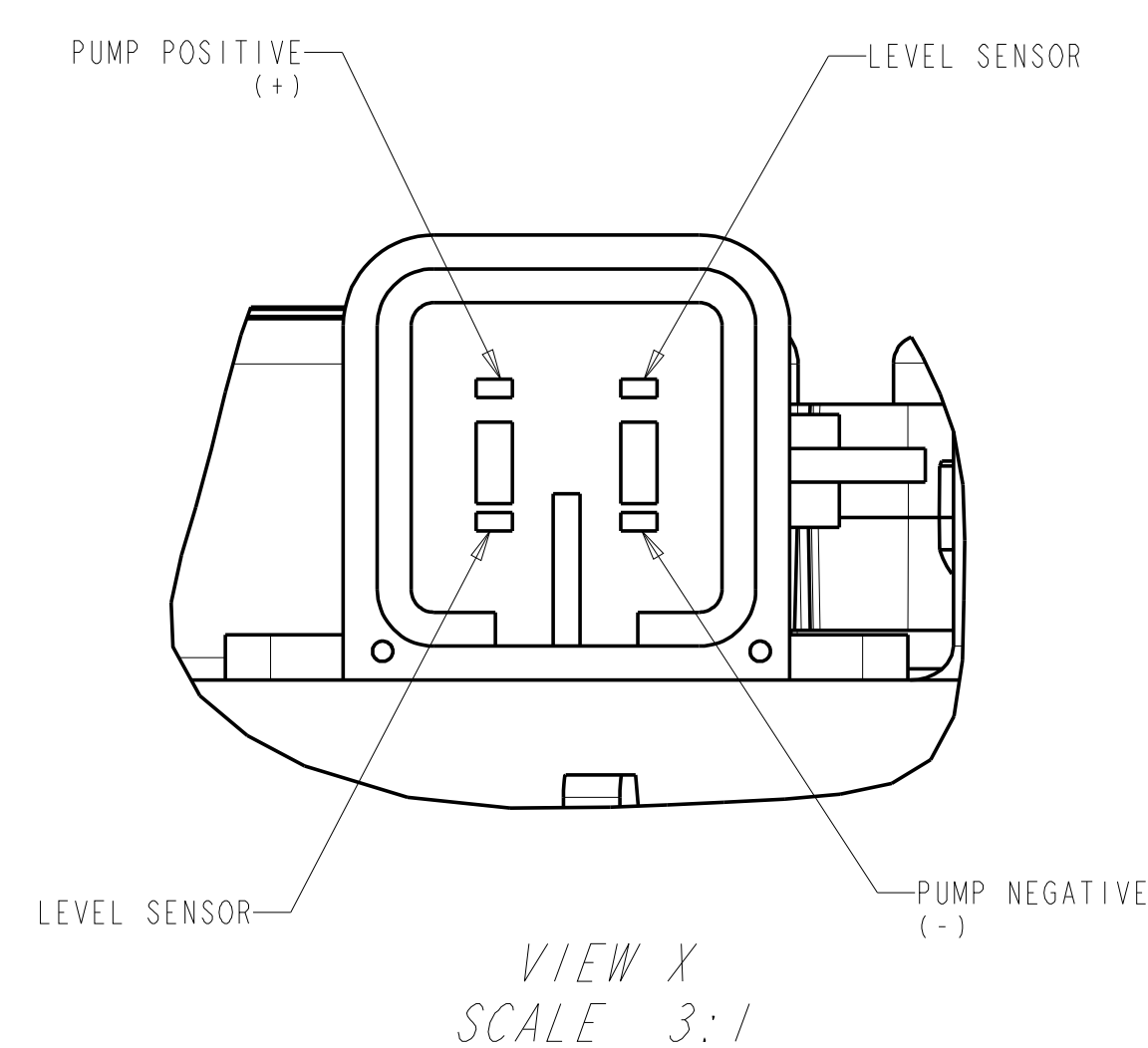
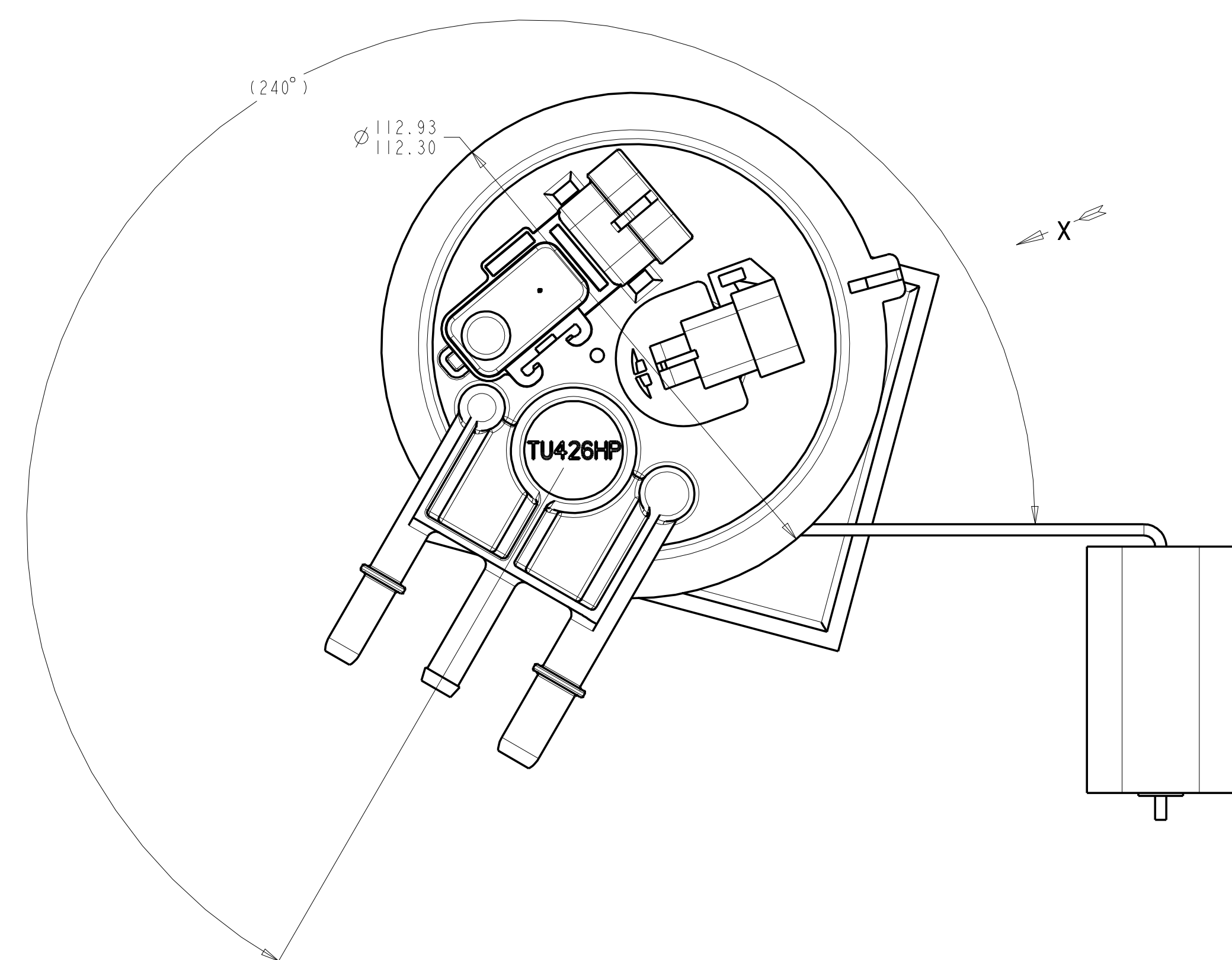


REVISIONS						
ZONE	LTR	DESCRIPTION	CHANGE No	DATE	BY	APPR'D
AA		INITIAL RELEASE	DR46331	23APR14	SLK	BLM



LEVEL SENDER		
POINT	HEIGHT	OHMS
FULL STOP	224.0	250
EMPTY STOP	10.0	40

NOTES:

- CHANGE IN DESIGN, COMPOSITION, LOCATION OR PROCESSING FROM THE PART PREVIOUSLY APPROVED FOR PRODUCTION REQUIRES PRIOR APPROVAL BY TI AUTOMOTIVE.
- PUMP USED: F20000178
- MODULE TO BE PACKAGED USING COMPONENTS NOTED ON BOM SO THAT CONTAMINATION FROM FOREIGN MATERIAL IS PREVENTED:
 - PLUG PROTECTORS ON PORTS
 - POLYBAG

□ DENOTES SOFTEN CHARACTERISTIC
 ◊ DENOTES SIGNIFICANT CHARACTERISTIC
 ◆ DENOTES HIGH IMPACT CHARACTERISTIC

METRIC
 ALL DIMENSIONS ARE IN MILLIMETERS
 DO NOT SCALE
 DECIMAL TOLERANCES UNLESS OTHERWISE SPECIFIED
 ONE PLACE ±0.25 TWO PLACE ±0.13 ANGLES ±1°
 THIRD ANGLE PROJECTION
 DIMENSIONS IN ACCORDANCE WITH ASME Y14.5 - 2009

TI Automotive
 630 COLUMBIA ST.
 CARO, MI 48123
 +1 989.673.7127

ENGINEER	B. WIDDLETON	23APR14	MATERIAL SPECIFICATION
DES. MANAGER			N/A
DESIGNER	S. KADY	23APR14	

CAD SYSTEM: PROVE SCALE: 1:1 SHEET NO. 1 OF 1
 REFERENCE TYPICAL: P/W REFERENCE: 0001120937AA
 REFERENCE DRAWING: P/W REFERENCE: 2D: AR0036970/AA 3D: AR0036969/AA
 DRAWING NAME: FUEL MODULE ASSEMBLY (AFTMKT GM, GAS, HP)
 TITLE: AD DRAWING NUMBER: TU426HP