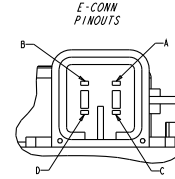
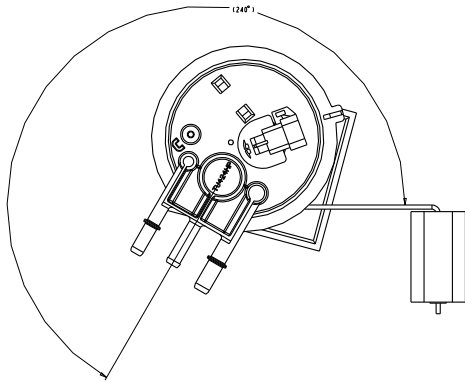
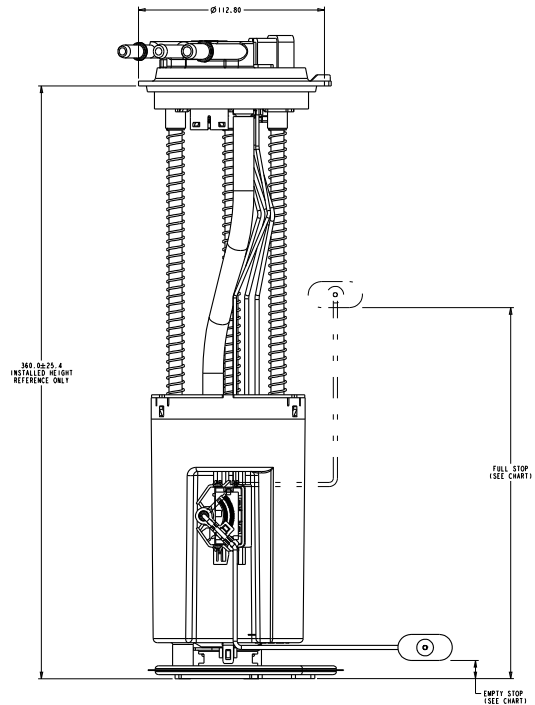


REVISIONS							
ZONE	LTR	DESCRIPTION	ECN NO.	DATE	BY	APPR.	
A		RELEASED FOR PRODUCTION		12/18	JAD/CSJ	SLS	CFR



A- LEVEL SENDER  
 B- PUMP #1  
 C- PUMP #2  
 D- LEVEL SENDER

SCALE 3-1



LEVEL SENDER		
POINT	HEIGHT	OHMS
FULL STOP	272.0	250.0
EMPTY STOP	12.0	45.0

- NOTES:
1. CHANGE IN DESIGN, COMPOSITION, LOCATION OR PROCESSING FROM THE PART PREVIOUSLY APPROVED FOR PRODUCTION REQUIRES PRIOR APPROVAL BY TI AUTOMOTIVE.
  2. PUMP USED: F20000170
  3. MODULE TO BE PACKAGED USING COMPONENTS NOTED ON BOM SO THAT CONTAMINATION FROM FOREIGN MATERIAL IS PREVENTED:
    - PLUG PROTECTORS ON PORTS
    - POLYBAG

INTERNAL USE ONLY DISTRIBUTION CODE	<b>Ti Automotive</b>		AFFIRMATIVE GROUND FOR ALL DESIGN POINTS CARR. RECORD# 0000	
AF	DATE	MATERIAL	SCALE	1-1 (PRINT) AD/CSJ
REV.	DATE	DESCRIPTION	BY	DATE
1	12/18	RELEASED FOR PRODUCTION	JAD/CSJ	12/18
DO NOT SCALE FROM DIMENSIONS ARE TO BE TAKEN FROM DIMENSION LINES, DIMENSION LINES, AND DIMENSION VALUES		DRAWING NO. TU424HP A		
DESIGNED BY: C. HOCKMAN		CHECKED BY: J. KADY		
DRAWN BY: C. HOCKMAN		DATE: 12/18		
TITLE: TOP LEVEL ASSEMBLY		SCALE: 1-1 (PRINT) AD/CSJ		

D  
C  
B  
A

4 3 2