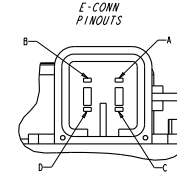
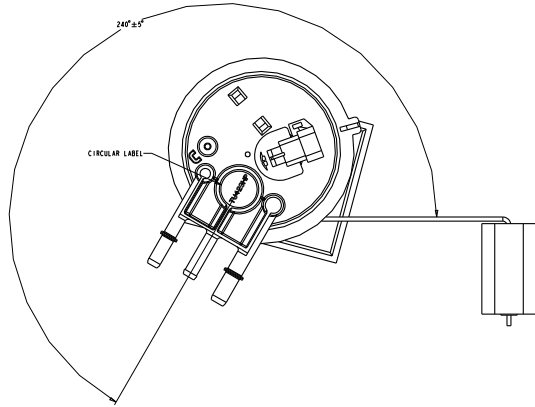
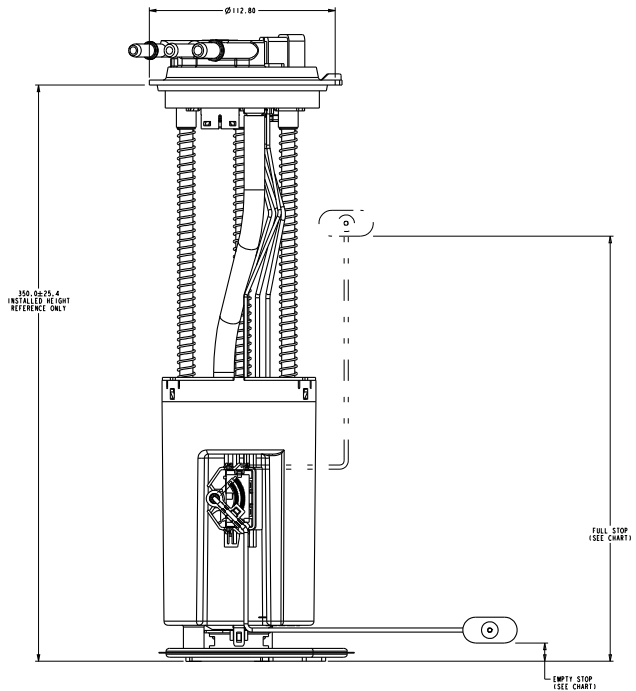


REVISIONS						
ZONE	LTR	DESCRIPTION	ECN NO.	DATE	BY	APPR.
A		RELEASED FOR PRODUCTION		12/21	AJCIDIS	SJA / CEM



A- LEVEL SENDER  
 B- PUMP #1  
 C- PUMP #2  
 D- LEVEL SENDER

SCALE 3:1



LEVEL SENDER		
POINT	HEIGHT	CHWS
FULL STOP	297.2	250.0
EMPTY STOP	10.0	49.0

NOTES:  
 1. CHANGE IN DESIGN, COMPOSITION, LOCATION OR PROCESSING FROM THE PART PREVIOUSLY APPROVED FOR PRODUCTION REQUIRES PRIOR APPROVAL BY TI AUTOMOTIVE  
 2. PUMP USED: F20000178  
 3. MODULE TO BE PACKAGED USING COMPONENTS NOTED ON BOM SO THAT CONTAMINATION FROM FOREIGN MATERIAL IS PREVENTED:  
 - PLUG PROTECTORS ON PORTS  
 - POLYBAG

INTERNAL USE ONLY DISTRIBUTION CODE		<b>TI Automotive</b>		APPROVABILITY GRANTING AND DECLASSIFICATION CONTROL PROCEDURES	
REV: F3000000	DATE: 12/21/16	MATERIAL:	DRWNG: 1-1	PROJ: ADCTO3	
DR: SJA	APP: SJA	ITER: 1	DATE: 12/21/16	REV: 1	
APPROVED BY:	DATE:	CHECKED BY:	DATE:	DESIGNED BY:	
				C. HOCKMAN	
[Prop-1]		TITLE: TOP LEVEL ASSEMBLY		DRAWING NO: 7042 3HP A	

D

C

B

A

4

3

2

1