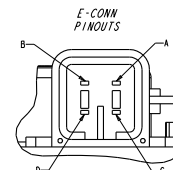
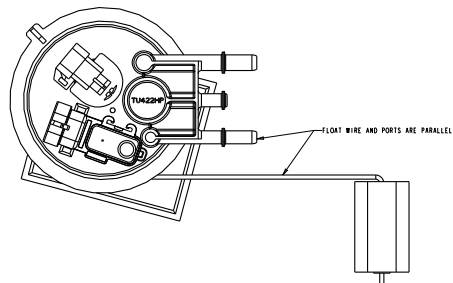
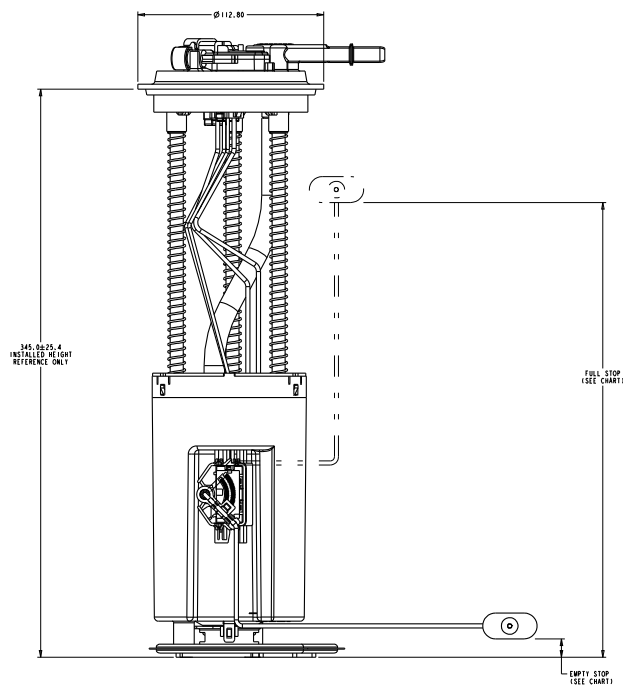


REVISIONS		ZONE	LTR	DESCRIPTION	ECN NO.	DATE	BY	APPR
A				RELEASED FOR PRODUCTION				



A- LEVEL SENDER
 B- PUMP P-1
 C- PUMP P-2
 D- LEVEL SENDER

SCALE 3-1



LEVEL SENDER		
POINT	HEIGHT	COMP
FUEL STOP	275.0	250.0
EMPTY STOP	10.0	40.0

- NOTES:
1. CHANGE IN DESIGN, COMPOSITION, LOCATION OR PROCESSING FROM THE PART PREVIOUSLY APPROVED FOR PRODUCTION REQUIRES PRIOR APPROVAL BY TI AUTOMOTIVE.
 2. PUMP USED: F20000178
 3. MODULE TO BE PACKAGED USING COMPONENTS NOTED ON BOM SO THAT CONTAMINATION FROM FOREIGN MATERIAL IS PREVENTED:
 - PLOG PROTECTORS ON PORTS
 - POLYBAG

INTERNAL USE ONLY DISTRIBUTION CODE	TI Automotive	APPROVING ORGANIZATION COUNCIL MEMBER
REV. 1	MATERIAL	DATE: 1-11-10
DO NOT SCALE FROM DIMENSIONS ARE IN MILLIMETERS DIMENSIONS IN PARENTHESIS ARE IN INCHES UNLESS OTHERWISE SPECIFIED	SIZE 1:1	DESIGNED BY: S. KADY
PROPRIETARY AND CONFIDENTIAL	DATE: 1-11-10	DESIGNED BY: C. SOCKMAN
NOTES: ISOMETRIC PROCESS OR NOTES SAFETY CHARACTERISTIC OR NOTES SAFETY CHARACTERISTIC	ISSUED BY: [Signature]	DATE: 1-11-10
	TITLE: TOP LEVEL FUEL MODULE ASSEMBLY	DOCUMENT NO.: TU422HP A

D

C

B

A

4

3

2

1