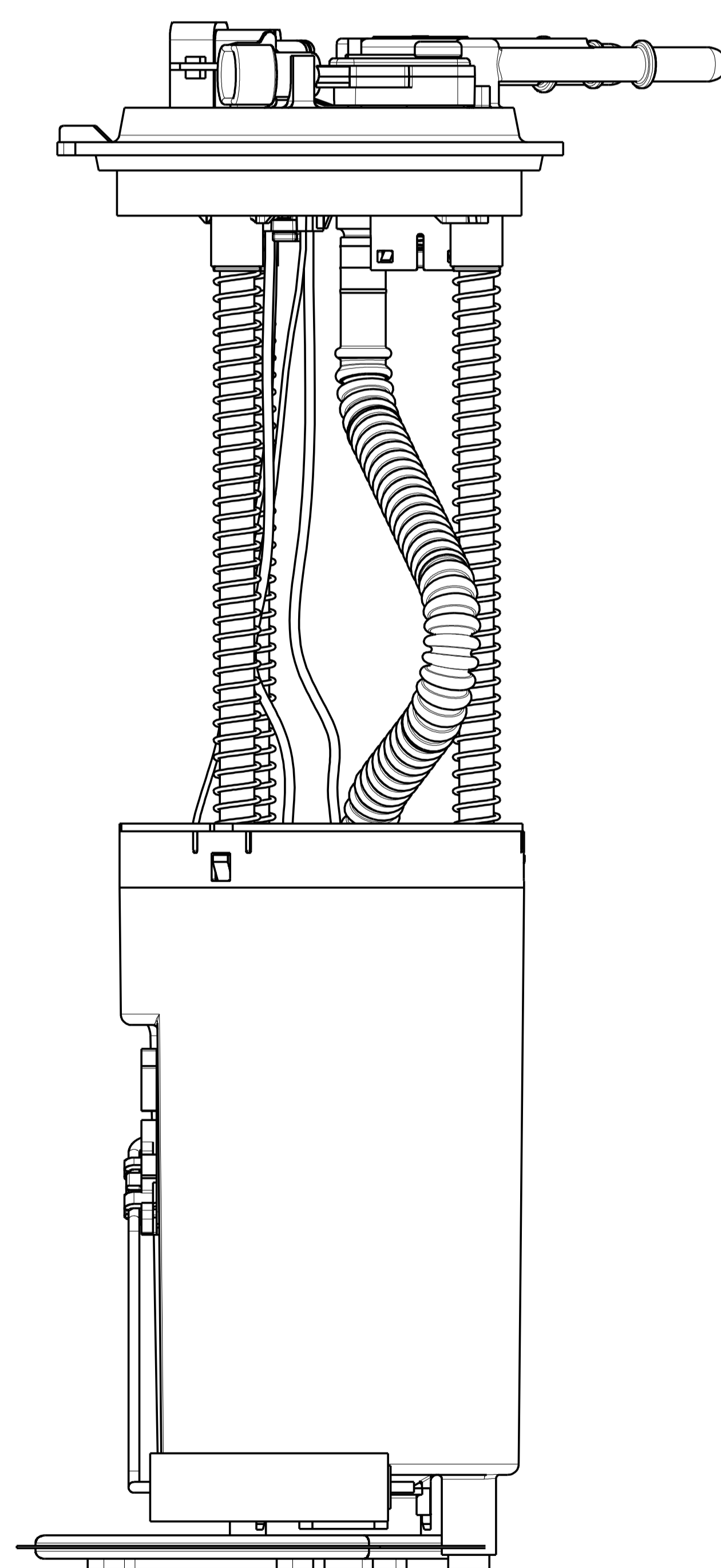
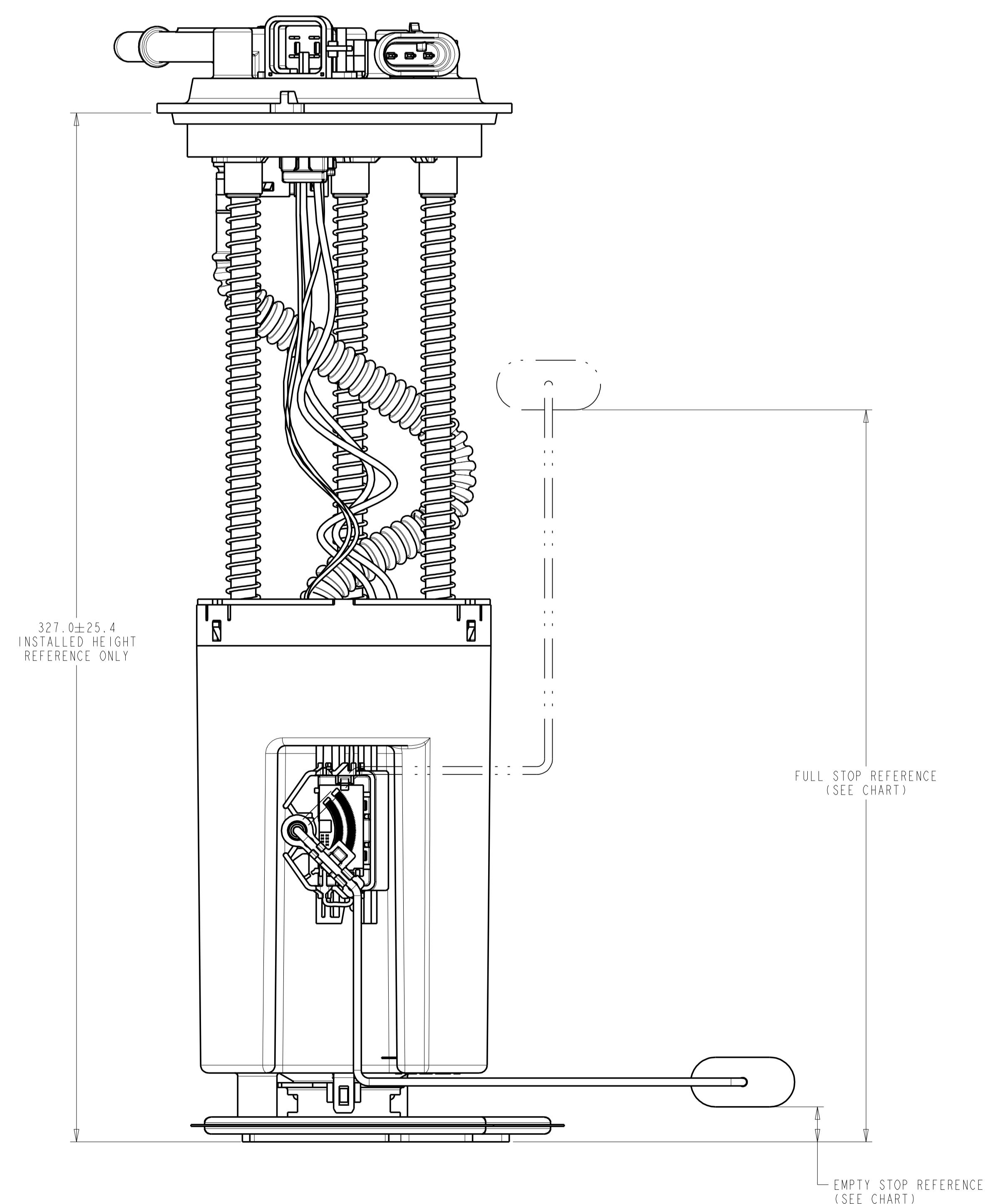
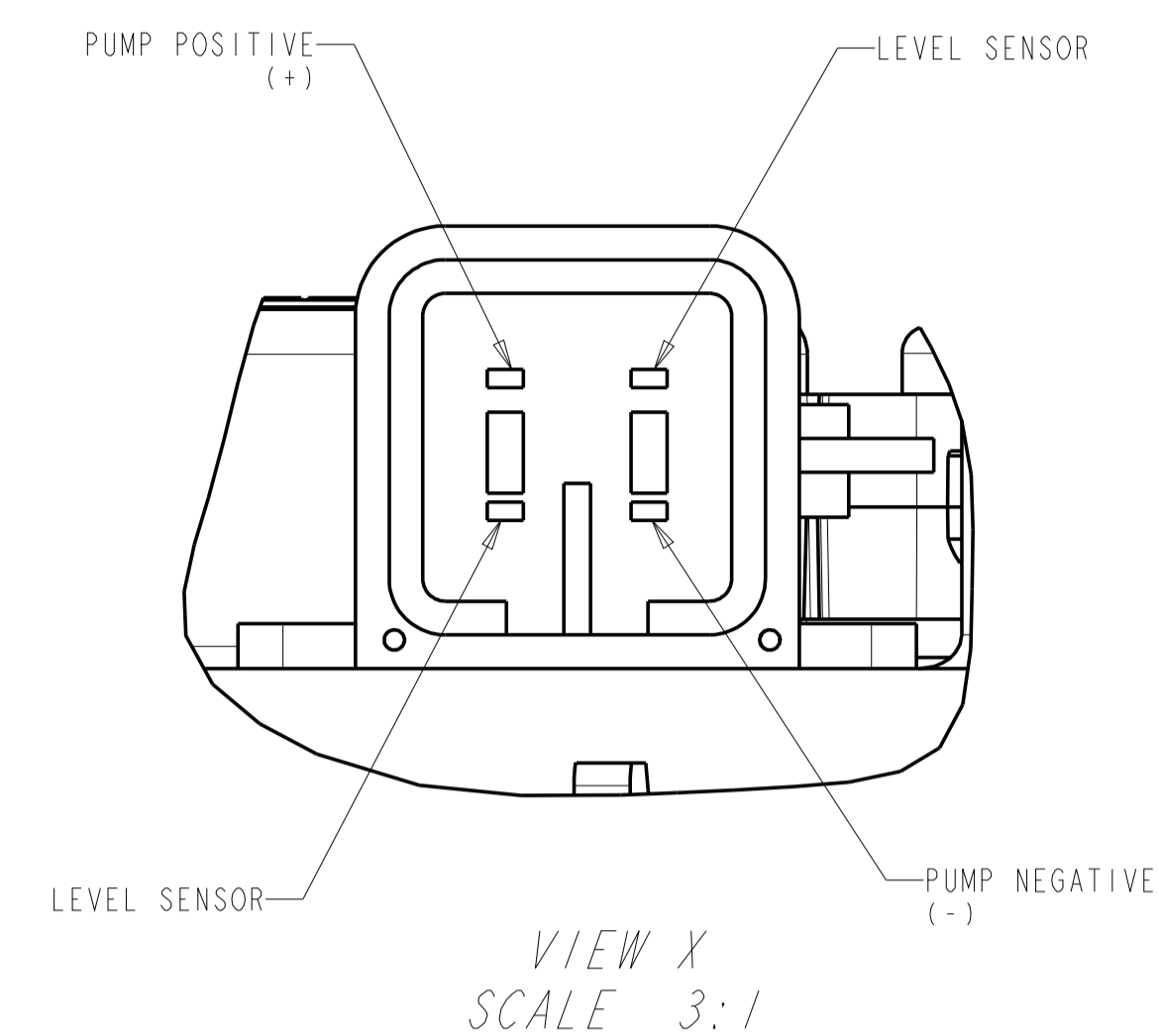
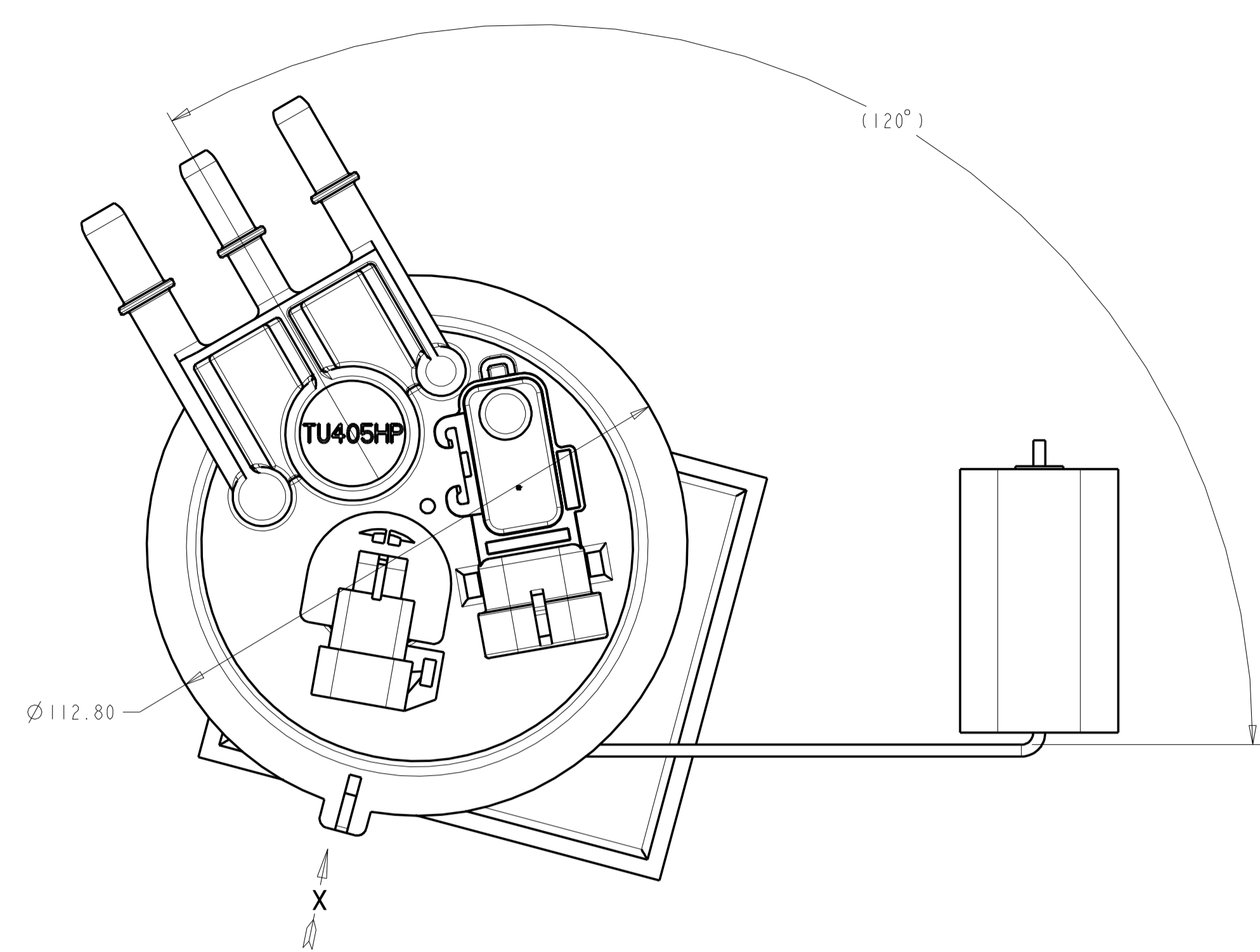


REVISIONS						
ZONE	LTR	DESCRIPTION	CHANGE No	DATE	BY	APPR'D
AA		INITIAL RELEASE		DR46329/22APR14	SLK	BLM



LEVEL SENDER		
POINT	HEIGHT	OHMS
FULL STOP	231.6	100
EMPTY STOP	10.0	2

- NOTES:
- CHANGE IN DESIGN, COMPOSITION, LOCATION OR PROCESSING FROM THE PART PREVIOUSLY APPROVED FOR PRODUCTION REQUIRES PRIOR APPROVAL BY TI AUTOMOTIVE.
  - PUMP USED: F20000178
  - MODULE TO BE PACKAGED USING COMPONENTS NOTED ON BOM SO THAT CONTAMINATION FROM FOREIGN MATERIAL IS PREVENTED:
    - PLUG PROTECTORS ON PORTS
    - POLYBAG

▽ DENOTES SOFTEN CHARACTERISTIC  
 ◊ DENOTES SIGNIFICANT CHARACTERISTIC  
 ◆ DENOTES HIGH IMPACT CHARACTERISTIC  
 \* TI AUTOMOTIVE CONFIDENTIAL AND PROPRIETARY  
 THIS DRAWING IS PROPERTY OF TI AUTOMOTIVE. ALL RIGHTS ARE RESERVED.  
 REPRODUCTION OR TRANSMISSION OF THIS DOCUMENT WITHOUT EXPRESS WRITTEN PERMISSION FROM TI AUTOMOTIVE IS PROHIBITED.  
 THE DRAWING IS PROVIDED FOR INFORMATION PURPOSES ONLY AND IS NOT TO BE USED FOR PRODUCTION OR ASSEMBLY.  
 DIMENSIONS ARE IN MILLIMETERS UNLESS OTHERWISE SPECIFIED.  
 DIMENSIONS IN PARENTHESES ARE FOR INFORMATION ONLY.  
 DIMENSIONS IN PARENTHESES ARE FOR INFORMATION ONLY.  
 DIMENSIONS IN PARENTHESES ARE FOR INFORMATION ONLY.  
 DIMENSIONS IN PARENTHESES ARE FOR INFORMATION ONLY.

METRIC  
 ALL DIMENSIONS ARE IN MILLIMETERS  
 DO NOT SCALE  
 DECIMAL TOLERANCES UNLESS OTHERWISE SPECIFIED  
 ONE PLACE ±0.25 TWO PLACE ±0.13 ANGLES ±1°  
 THIRD ANGLE PROJECTION  
 DIMENSIONS IN ACCORDANCE WITH ASME Y14.5 - 2009  
**TI Automotive** 630 COLUMBIA ST. CARO, MI 48723 +1 989.673.7127  
 ENGINEER: B.WIDDLETON 22APR14 MATERIAL SPECIFICATION: N/A  
 DES.MANAGER: N/A  
 DESIGNER: S.KADH 22APR14  
 CAD SYSTEM: PROVE SCALE: 1:1 SHEET NO. 1 OF 1  
 REFERENCE TO: N/A  
 PART NUMBER: 0001120917AA  
 2D: AR0036964/AA 3D: AR0036963/AA  
 FUEL MODULE ASSEMBLY (AFTMKT GM, GAS, HP)  
 TITLE: TU405HP