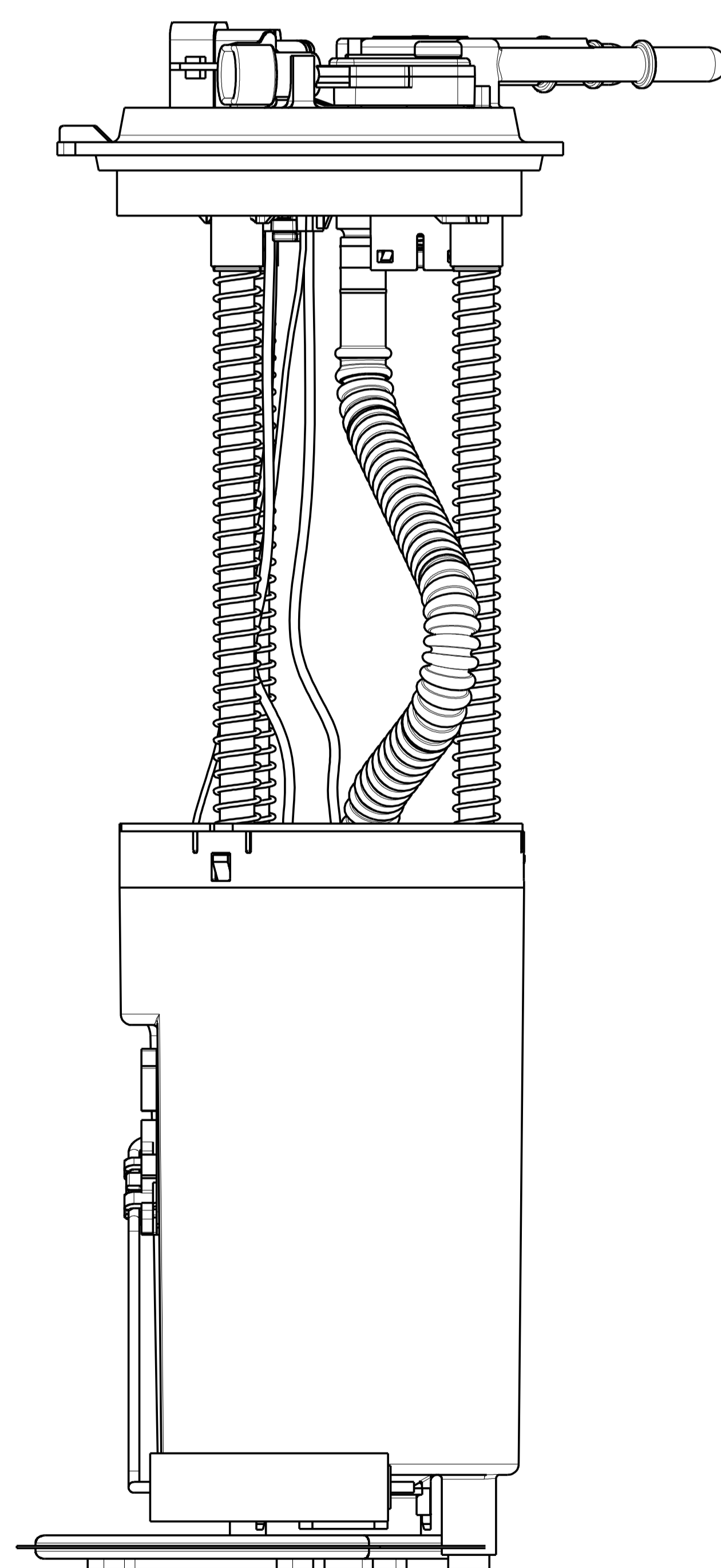
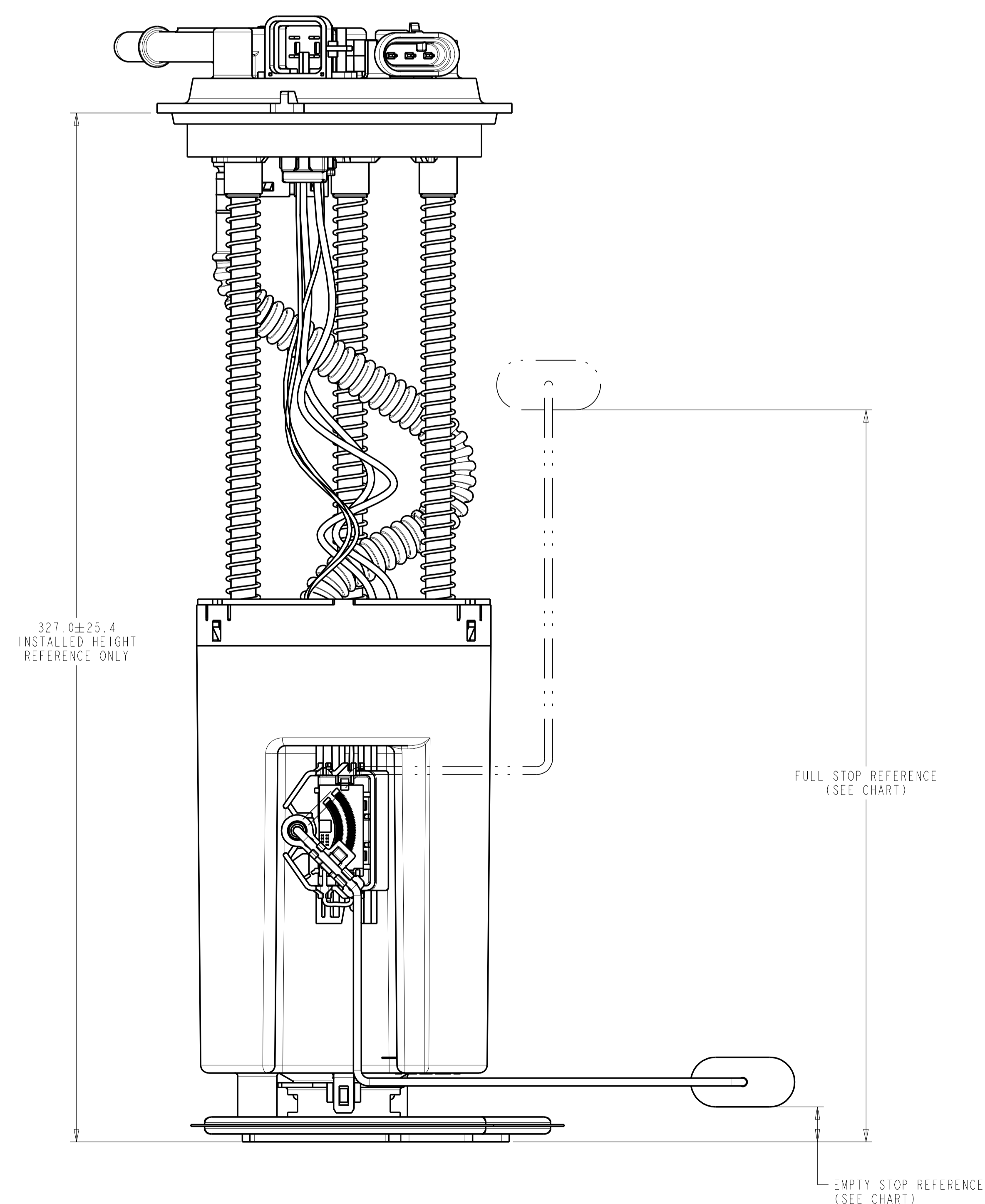
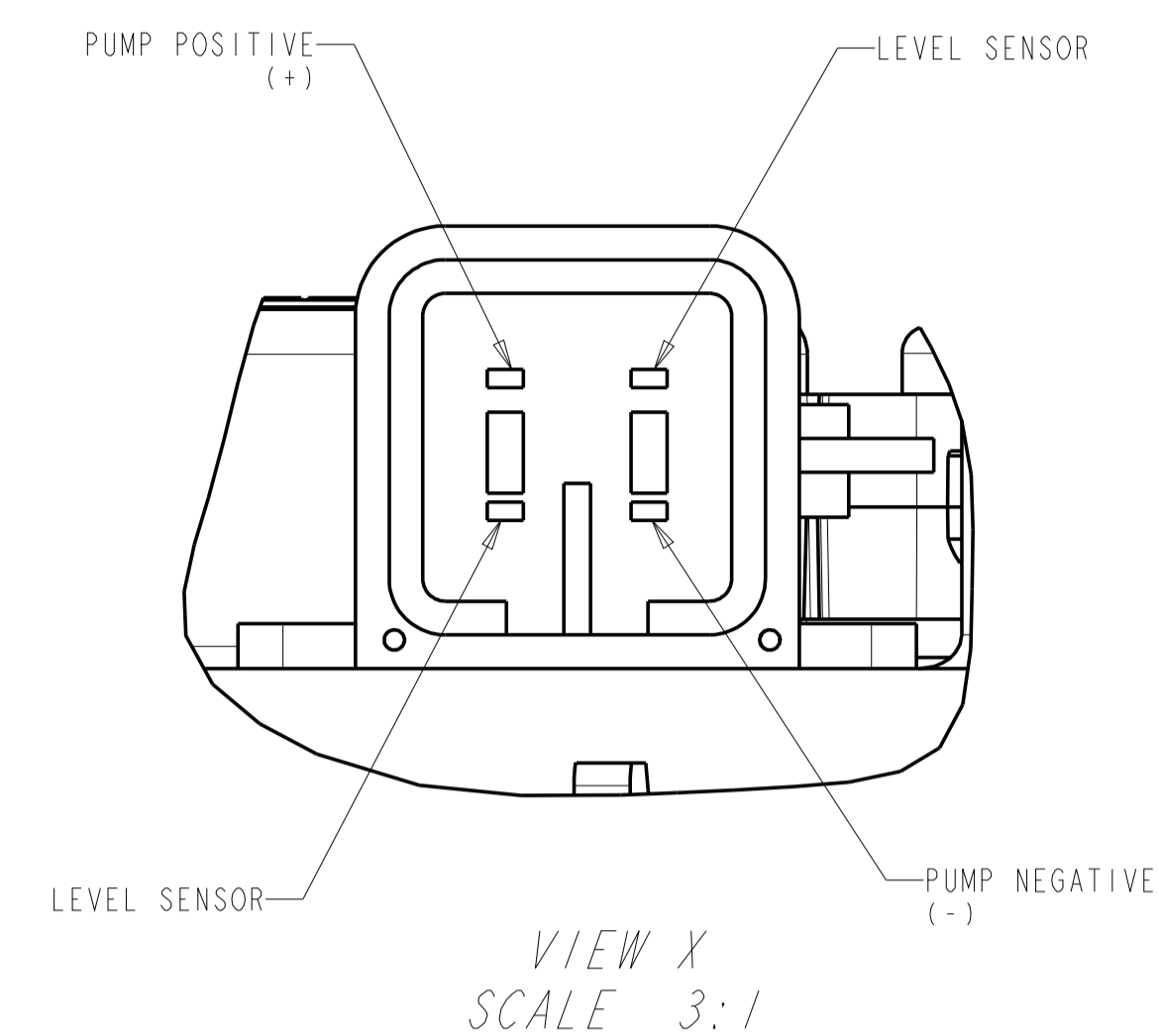
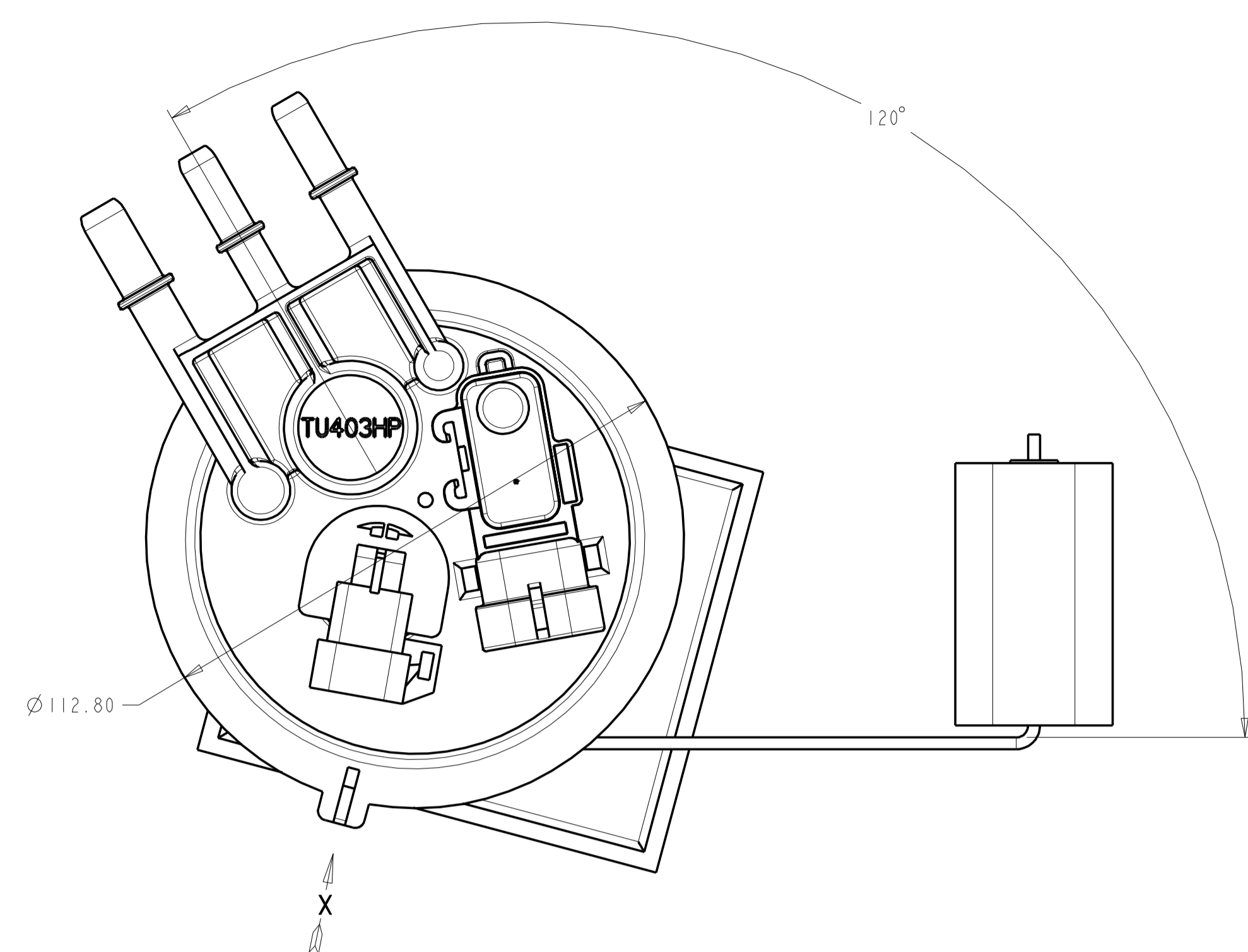


REVISIONS						
ZONE	LTR	DESCRIPTION	CHANGE No	DATE	BY	APPR'D
AA		INITIAL RELEASE	DR46327	21APR14	SLK	BLM



LEVEL SENDER		
POINT	HEIGHT	OHMS
FULL STOP	231.6	100
EMPTY STOP	10.0	2

- NOTES:
- CHANGE IN DESIGN, COMPOSITION, LOCATION OR PROCESSING FROM THE PART PREVIOUSLY APPROVED FOR PRODUCTION REQUIRES PRIOR APPROVAL BY TI AUTOMOTIVE.
  - PUMP USED: F20000178
  - MODULE TO BE PACKAGED USING COMPONENTS NOTED ON BOM SO THAT CONTAMINATION FROM FOREIGN MATERIAL IS PREVENTED:
    - PLUG PROTECTORS ON PORTS
    - POLYBAG

□ DENOTES SOFTEN CHARACTERISTIC  
 ◊ DENOTES SIGNIFICANT CHARACTERISTIC  
 ◆ DENOTES HIGH IMPACT CHARACTERISTIC

METRIC  
 ALL DIMENSIONS ARE IN MILLIMETERS  
 DO NOT SCALE  
 DECIMAL TOLERANCES UNLESS OTHERWISE SPECIFIED  
 ONE PLACE ±0.25 TWO PLACE ±0.13 ANGLES ±1°  
 THIRD ANGLE PROJECTION  
 DIMENSIONS IN ACCORDANCE WITH ASME Y14.5 - 2009

**TI Automotive**  
 630 COLUMBIA ST.  
 CARO, MI 48123  
 +1 989.673.7127

ENGINEER	B.WIDDLETON	21APR14	MATERIAL SPECIFICATION:
DES.MANAGER			N/A
DESIGNER	S.KADY	21APR14	

CAD SYSTEM: PROVE	SCALE: 1:1	SHEET NO. 1 OF 1
REFERENCE TYPICAL:	P/W REFERENCE ONLY:	
2D: AR0036934/AA	3D: AR0036933/AA	

DRAWING NAME:  
**FUEL MODULE ASSEMBLY (AFTMKT GM, GAS, HP)**

DATE:	DRAWING NUMBER:
AD	TU403HP