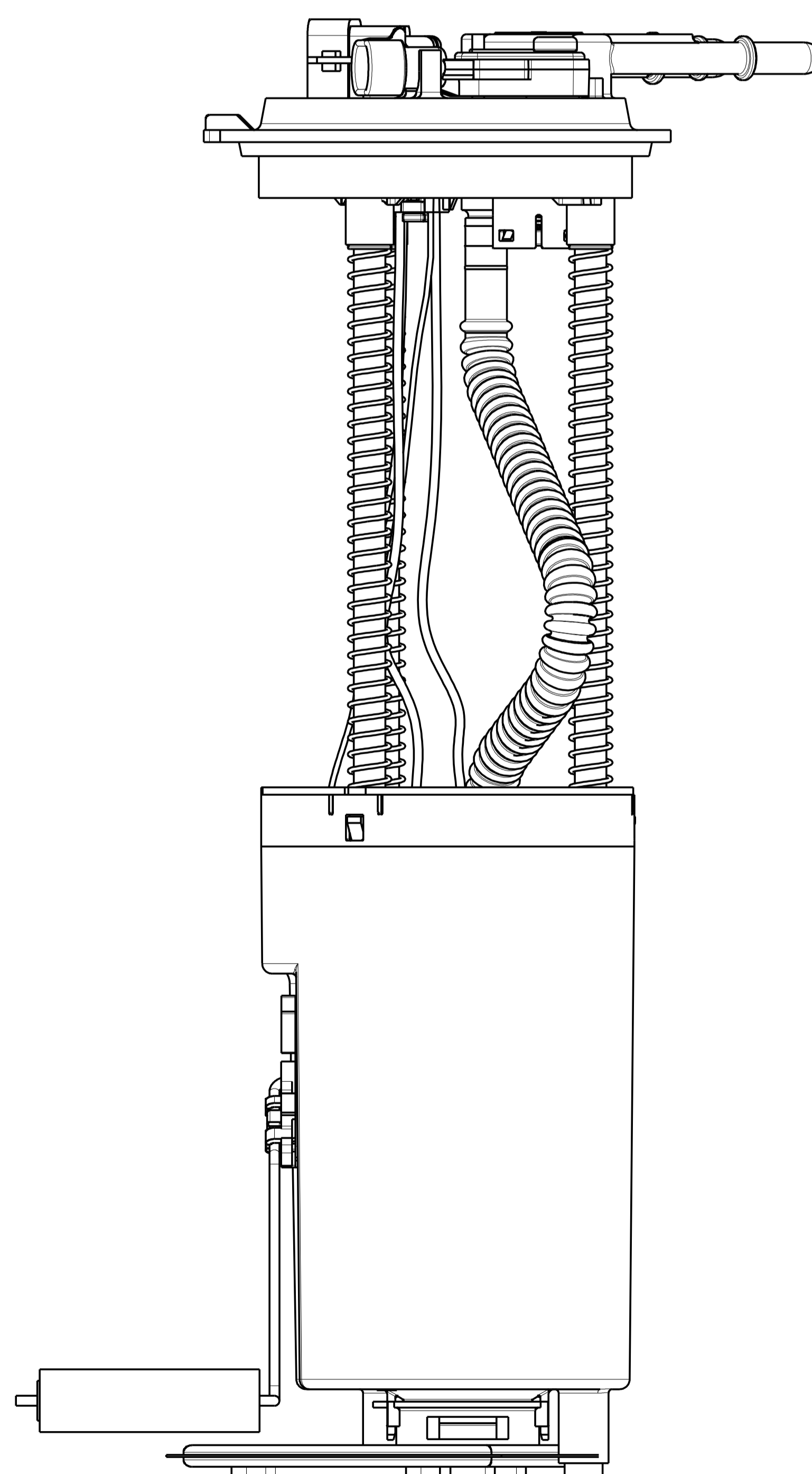
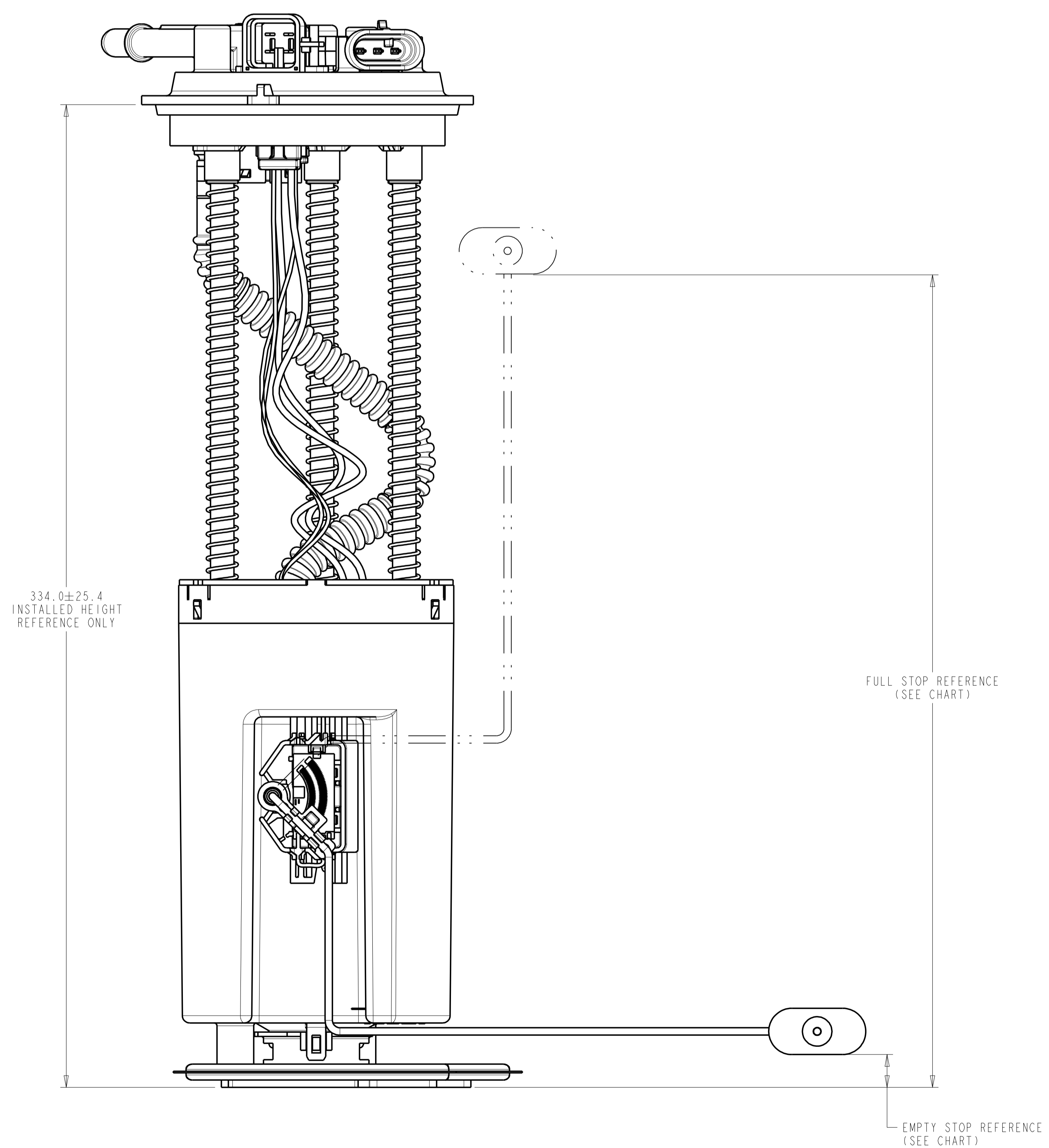
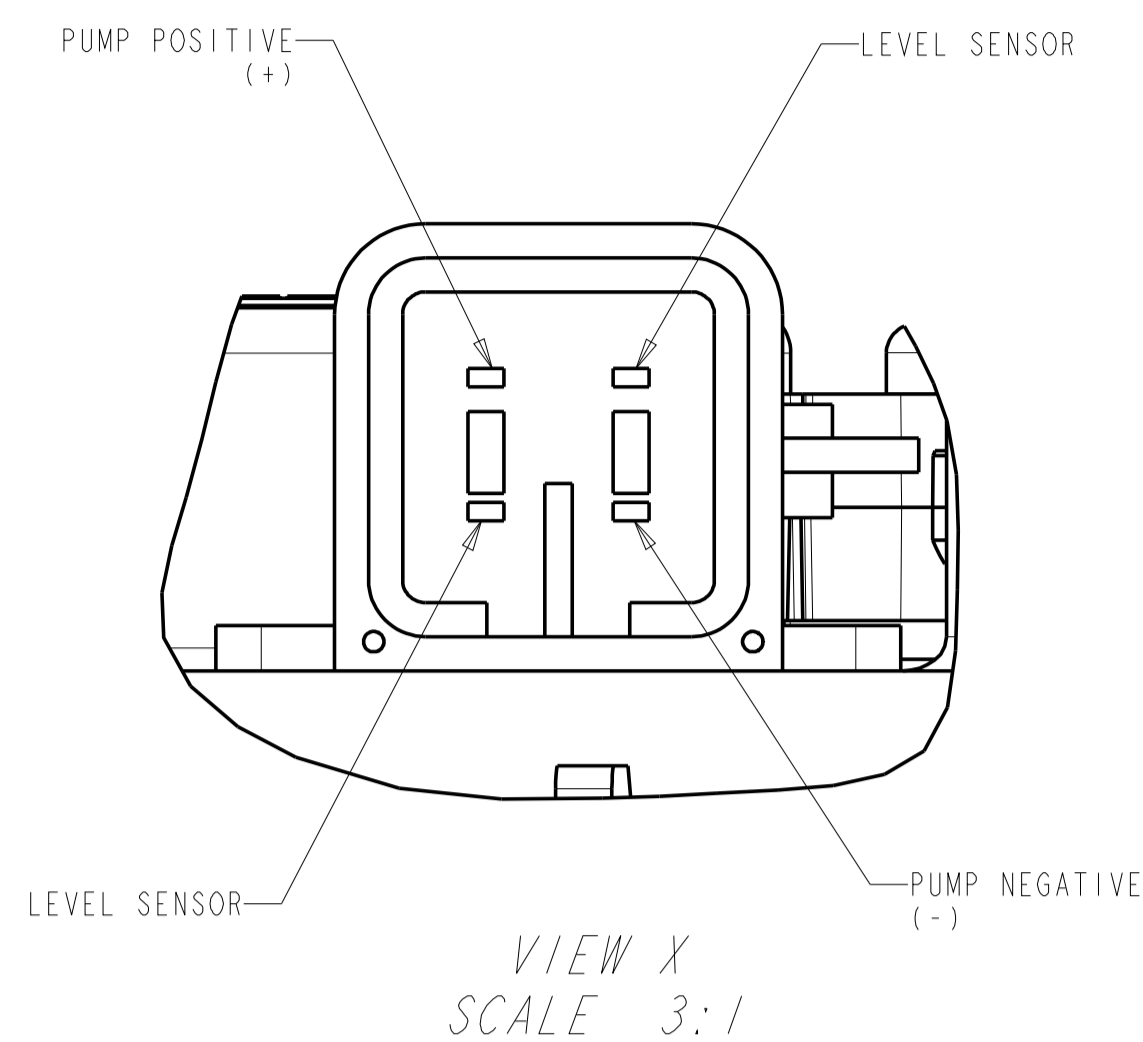
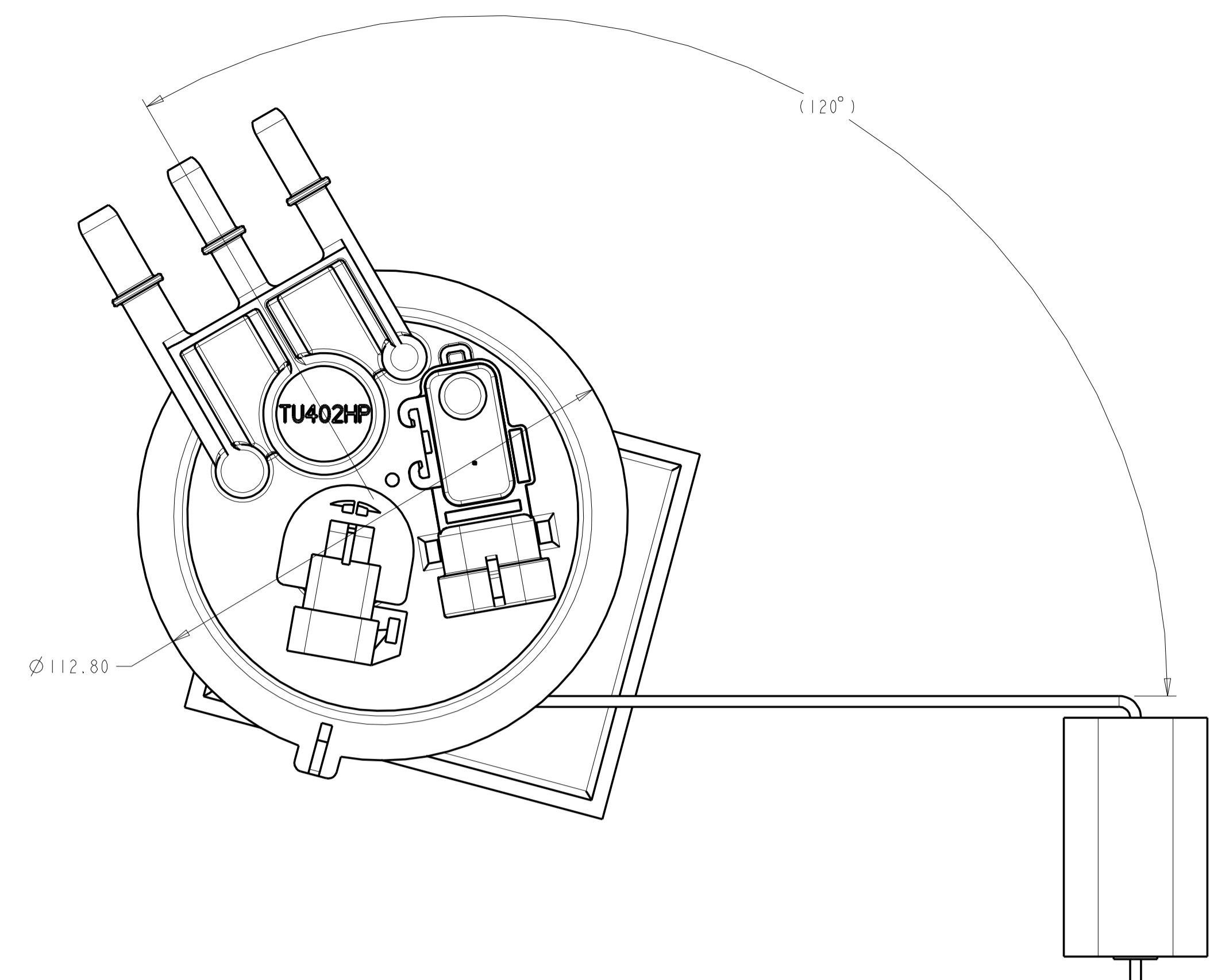


REVISIONS						
ZONE	LTR	DESCRIPTION	CHANGE No	DATE	BY	APPR'D
AA		INITIAL RELEASE	DR46326	16APR14	SLK	BLM



LEVEL SENDER		
POINT	HEIGHT	OHMS
FULL STOP	275.0	250±10
EMPTY STOP	10.0	40±3

NOTES:

- CHANGE IN DESIGN, COMPOSITION, LOCATION OR PROCESSING FROM THE PART PREVIOUSLY APPROVED FOR PRODUCTION REQUIRES PRIOR APPROVAL BY TI AUTOMOTIVE.
- PUMP USED: F20000178
- MODULE TO BE PACKAGED USING COMPONENTS NOTED ON BOM SO THAT CONTAMINATION FROM FOREIGN MATERIAL IS PREVENTED:
 - PLUG PROTECTORS ON PORTS
 - POLYBAG

▽	IDENTIFIES SAFETY CHARACTERISTIC
◇	IDENTIFIES SIGNIFICANT CHARACTERISTIC
◆	IDENTIFIES HIGH IMPACT CHARACTERISTIC

ALL DIMENSIONS ARE IN MILLIMETERS

DO NOT SCALE

DECIMAL TOLERANCES UNLESS OTHERWISE SPECIFIED
ONE PLACE ±0.25 TWO PLACE ±0.13 ANGLES ±1°

THIRD ANGLE PROJECTION

DIMENSIONS IN ACCORDANCE WITH ASME Y14.5 - 2009

TI Automotive 630 COLUMBIA ST. CARO, MI 48723 +1 989.673.7127

ENGINEER	B.WIDDLETON	16APR14	MATERIAL SPECIFICATION:
DES.MANAGER			N/A
DESIGNER	S.KADY	16APR14	

CAD SYSTEM: PROVE	SCALE: 1:1	SHEET NO. 1 OF 1
REFERENCE TYPING:	P/W REFERENCE KEY:	
2D: AR0036910/AA	3D: AR0036911/AA	

DESIGN NAME: FUEL MODULE ASSEMBLY (AFTMKT GM, GAS, HP)

AD	TU402HP
----	---------