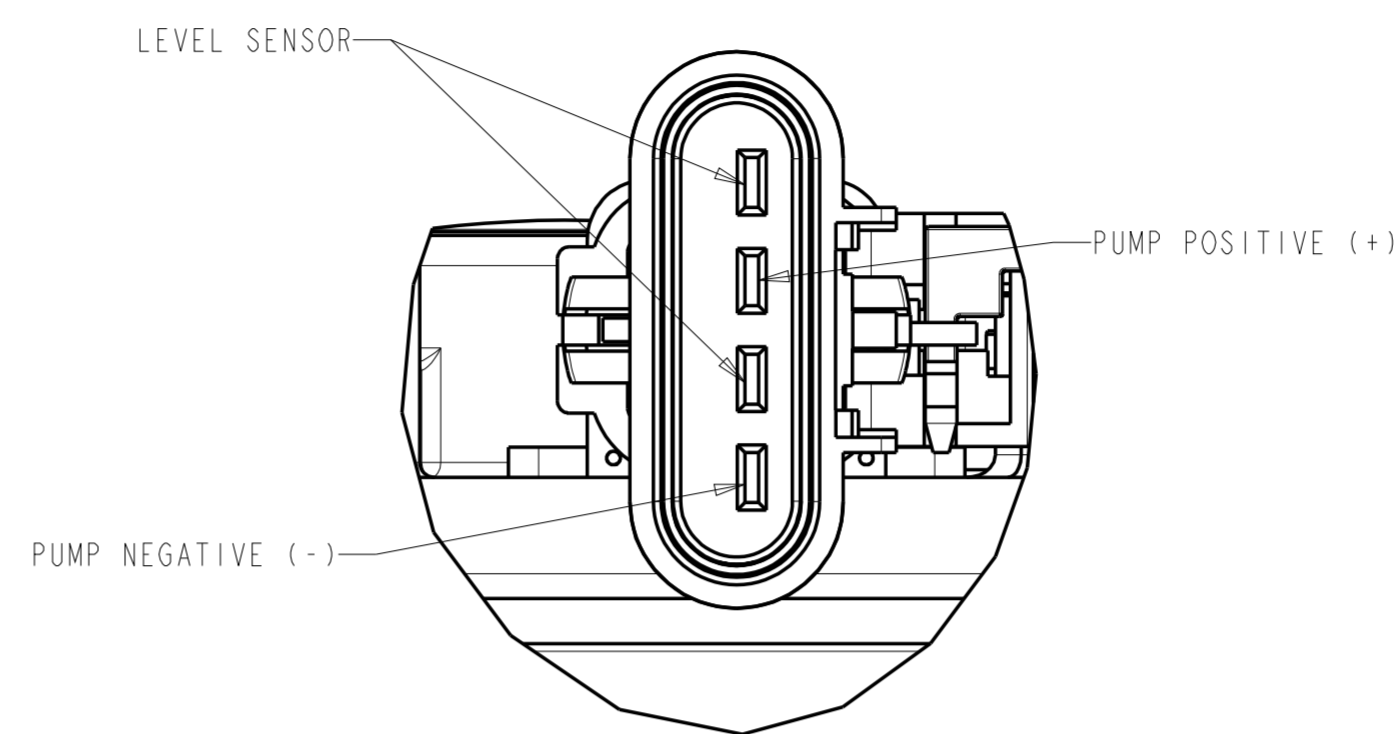
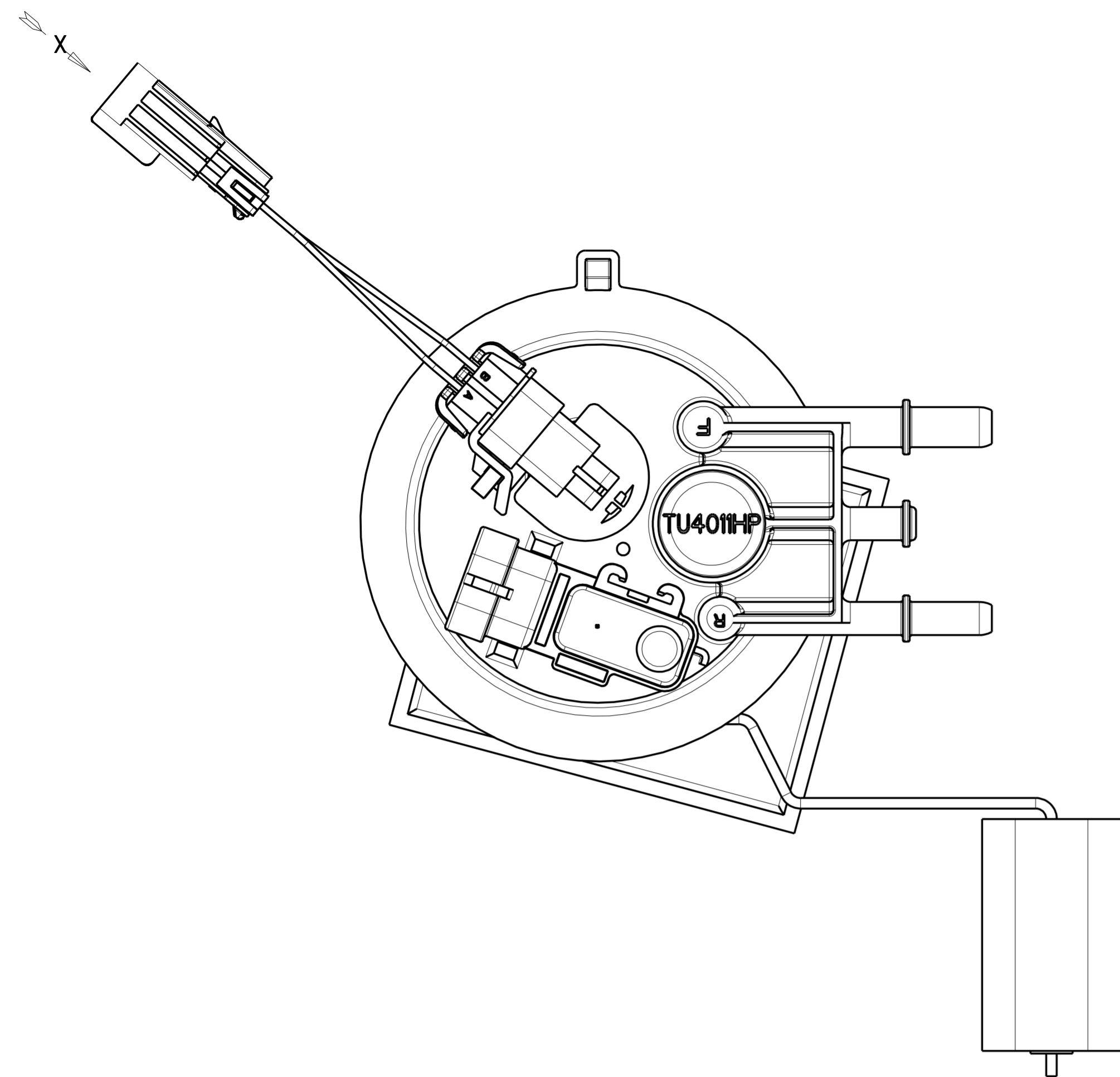
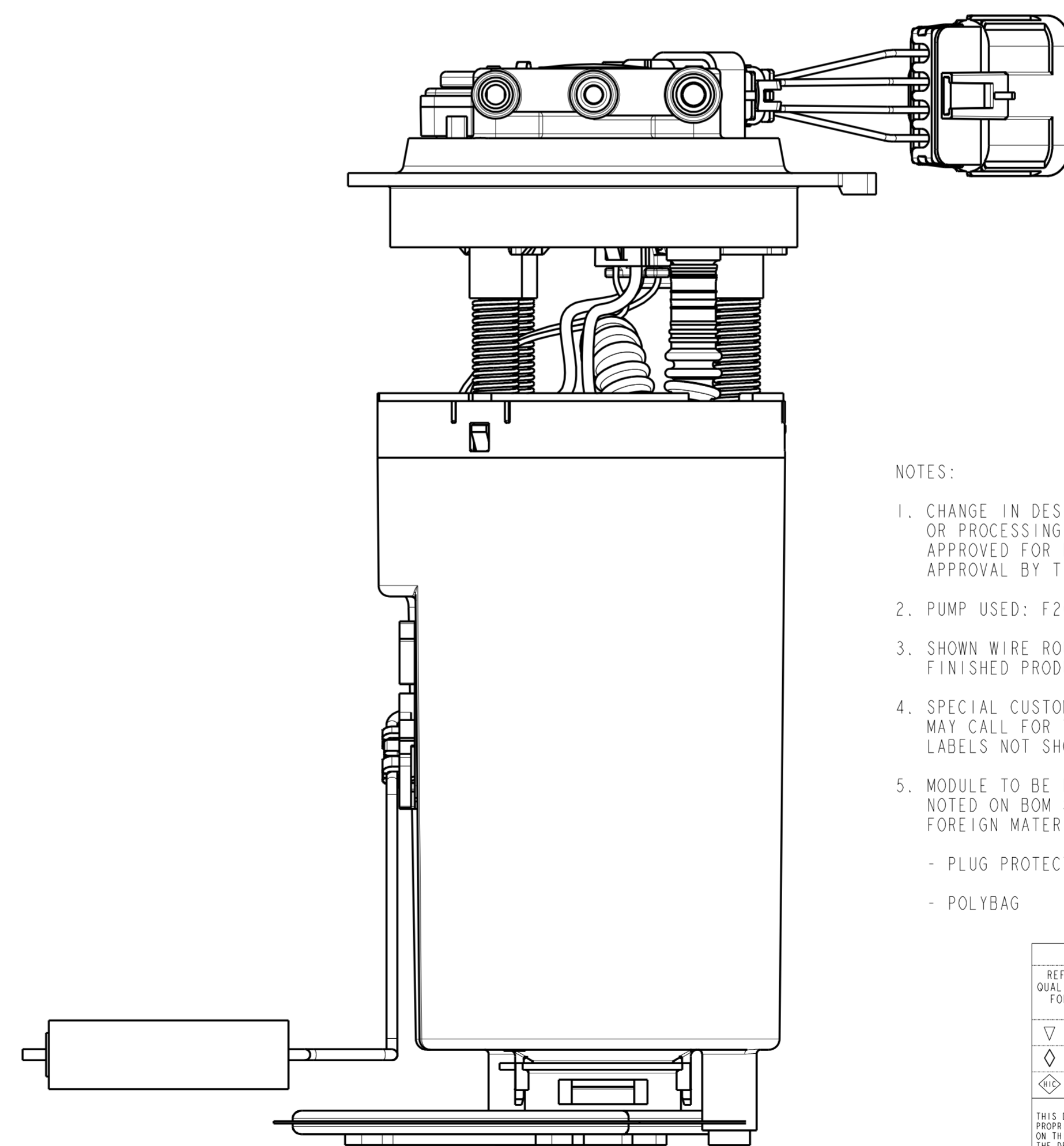
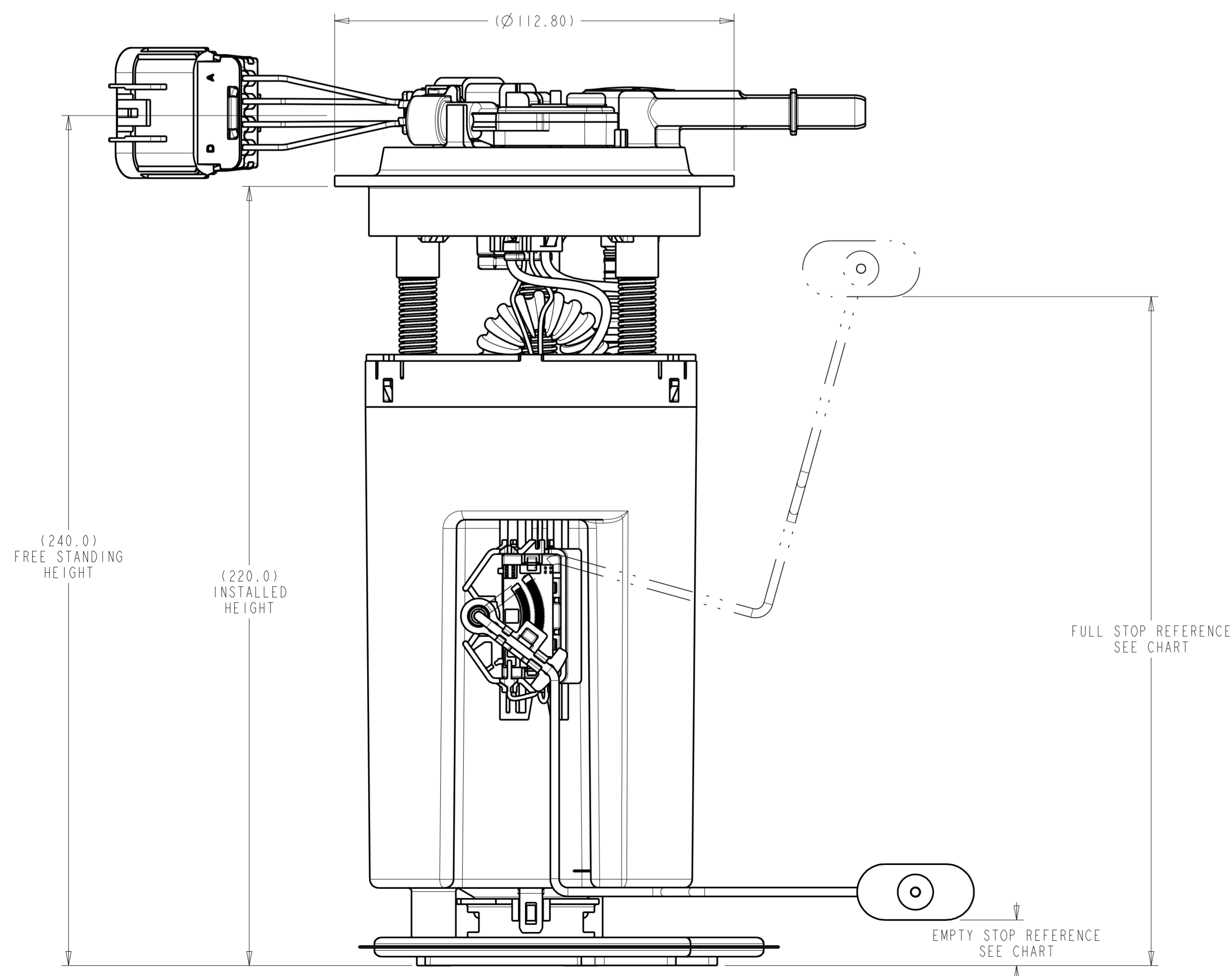


| REVISIONS | | | | | | |
|-----------|-----|-----------------|-----------|---------|-----|--------|
| ZONE | LTR | DESCRIPTION | CHANGE No | DATE | BY | APPR'D |
| | AA | INITIAL RELEASE | DR53893 | 02MAR16 | SLK | AP |



VIEW X
SCALE 2:1



| LEVEL SENDER HEIGHT VS. RESISTANCE | | |
|------------------------------------|--------|------------|
| POSITION | HEIGHT | RESISTANCE |
| FULL STOP | 189.0 | 250±10 Ω |
| EMPTY STOP | 12.0 | 40±3 Ω |

NOTES:

- CHANGE IN DESIGN, COMPOSITION, LOCATION OR PROCESSING FROM THE PART PREVIOUSLY APPROVED FOR PRODUCTION REQUIRES PRIOR APPROVAL BY TI AUTOMOTIVE.
- PUMP USED: F20000178
- SHOWN WIRE ROUTING MAY DIFFER FROM FINISHED PRODUCT.
- SPECIAL CUSTOMER PACKAGING REQUIREMENTS MAY CALL FOR THE ADDITION OF SPECIFIC LABELS NOT SHOWN ON THIS DRAWING.
- MODULE TO BE PACKAGED USING COMPONENTS NOTED ON BOM SO THAT CONTAMINATION FROM FOREIGN MATERIAL IS PREVENTED:
 - PLUG PROTECTORS ON PORTS
 - POLYBAG

METRIC
ALL DIMENSIONS ARE IN MILLIMETERS

DO NOT SCALE
DECIMAL TOLERANCES UNLESS OTHERWISE SPECIFIED
ONE PLACE ±0.25 TWO PLACE ±0.13 ANGLES ±1°

THIRD ANGLE PROJECTION
DIMENSIONS IN ACCORDANCE WITH ASME Y14.5 - 2009

TI Automotive
630 COLUMBIA ST.
CARO, MI 48723
+1 989.673.7727

| KEY PRODUCT CHARACTERISTICS | | | |
|---|----------------|------------------|--|
| REFER TO TI AUTOMOTIVE GLOBAL ADVANCED QUALITY PLANNING DOCUMENT # FDS-P1-P-021 FOR THE CLASSIFICATION AND CONTROL OF KEY PRODUCT CHARACTERISTICS | TOTAL ON SHEET | TOTAL ON DRAWING | |
| ▽ - SAFETY CHARACTERISTIC | -- | -- | |
| ◇ - CRITICAL CHARACTERISTIC | -- | -- | |
| ◆ - HIGH IMPACT CHARACTERISTIC | -- | -- | |

| | | | | |
|--------------------|--|------------------------|-------------------------|-----|
| ENGINEER: | A. PECKHAM | 02MAR16 | MATERIAL/SPECIFICATION: | N/A |
| DESIGNER: | S. KADY | 02MAR16 | | |
| CAD SYSTEM: | PRO/E | SCALE: 1:1 | SHEET NO. | OF |
| REFERENCE TO REV.: | | 3D PLW REFERENCE REV.: | AR0042724/AA | |
| REFERENCE TO REV.: | | 3D PLW REFERENCE REV.: | AR0042725/AA | |
| DRAWING NAME: | FUEL MODULE ASM (MY00-03 GM TAHOE/YUKON, HP) | | | |
| SIZE: | A1 | DRAWING NUMBER: | TU4011HP | |