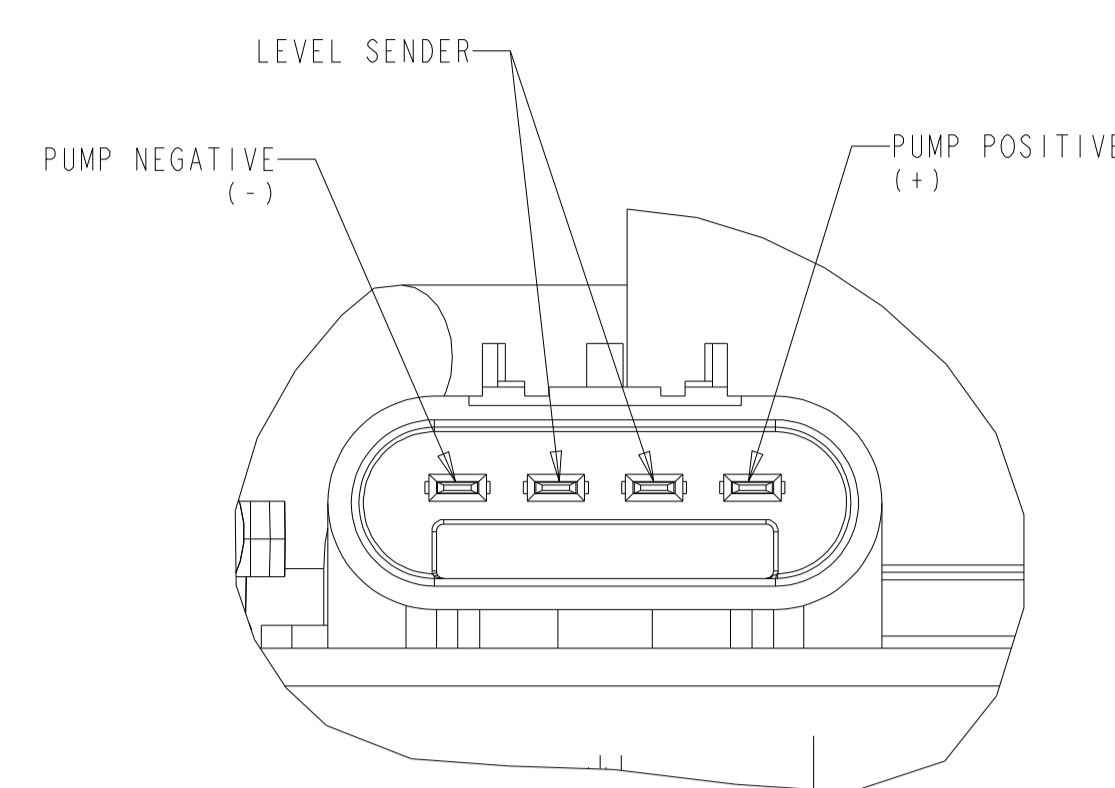
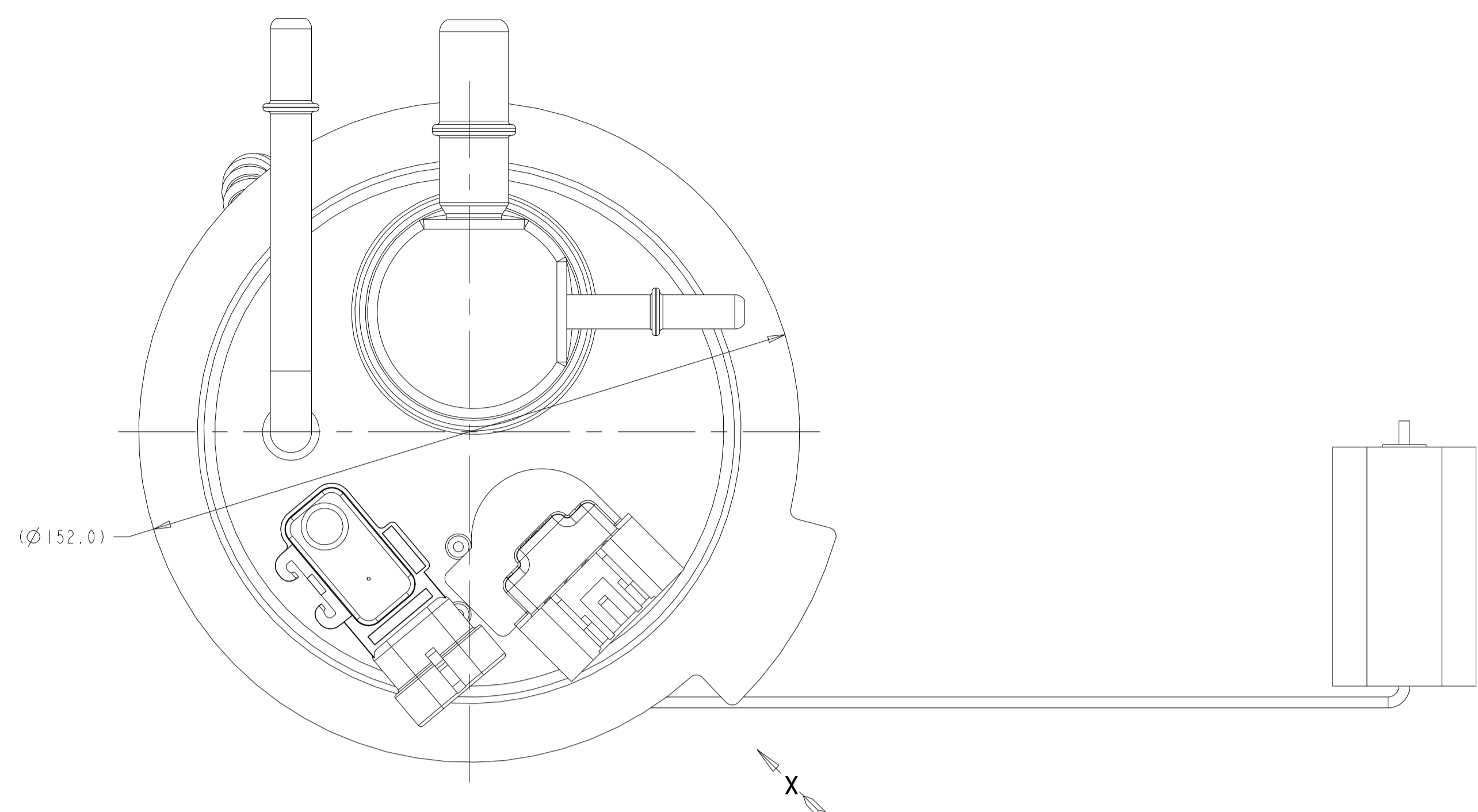
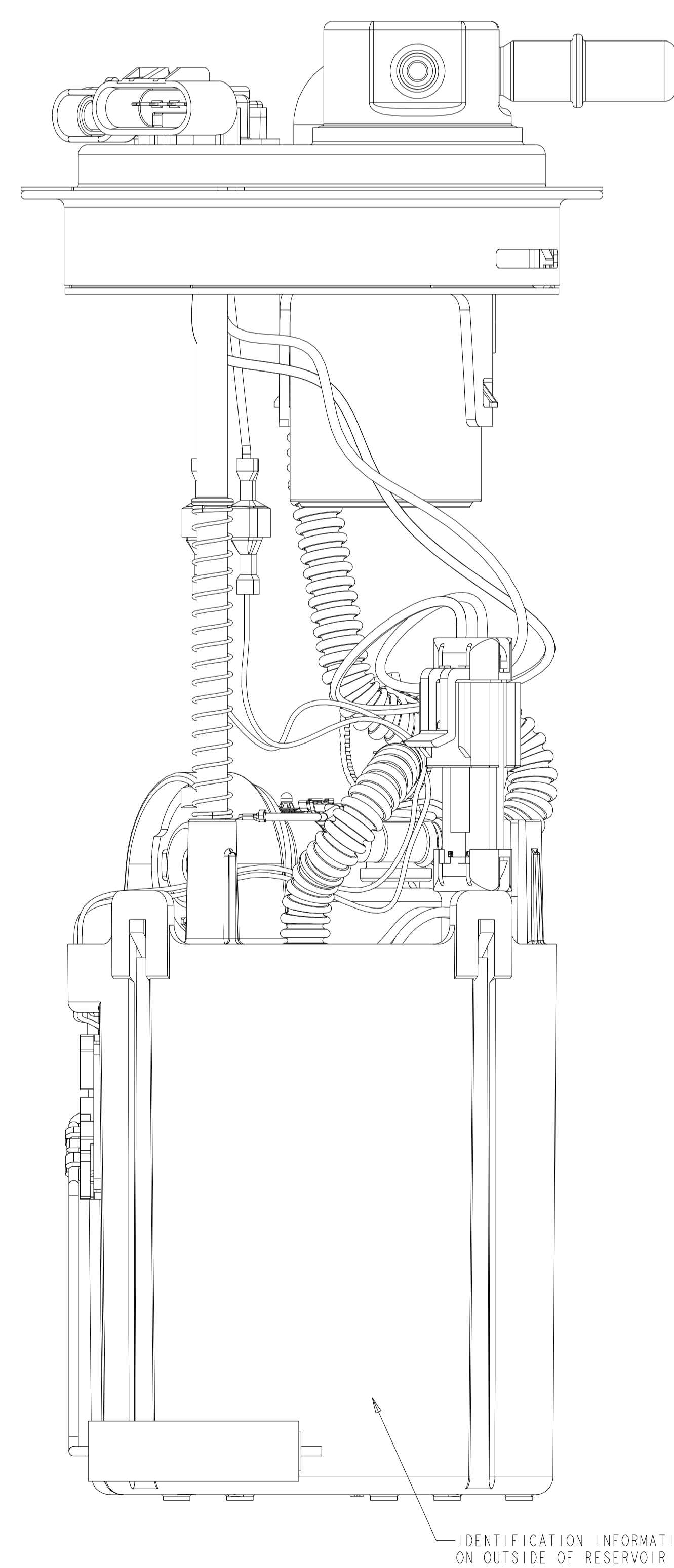
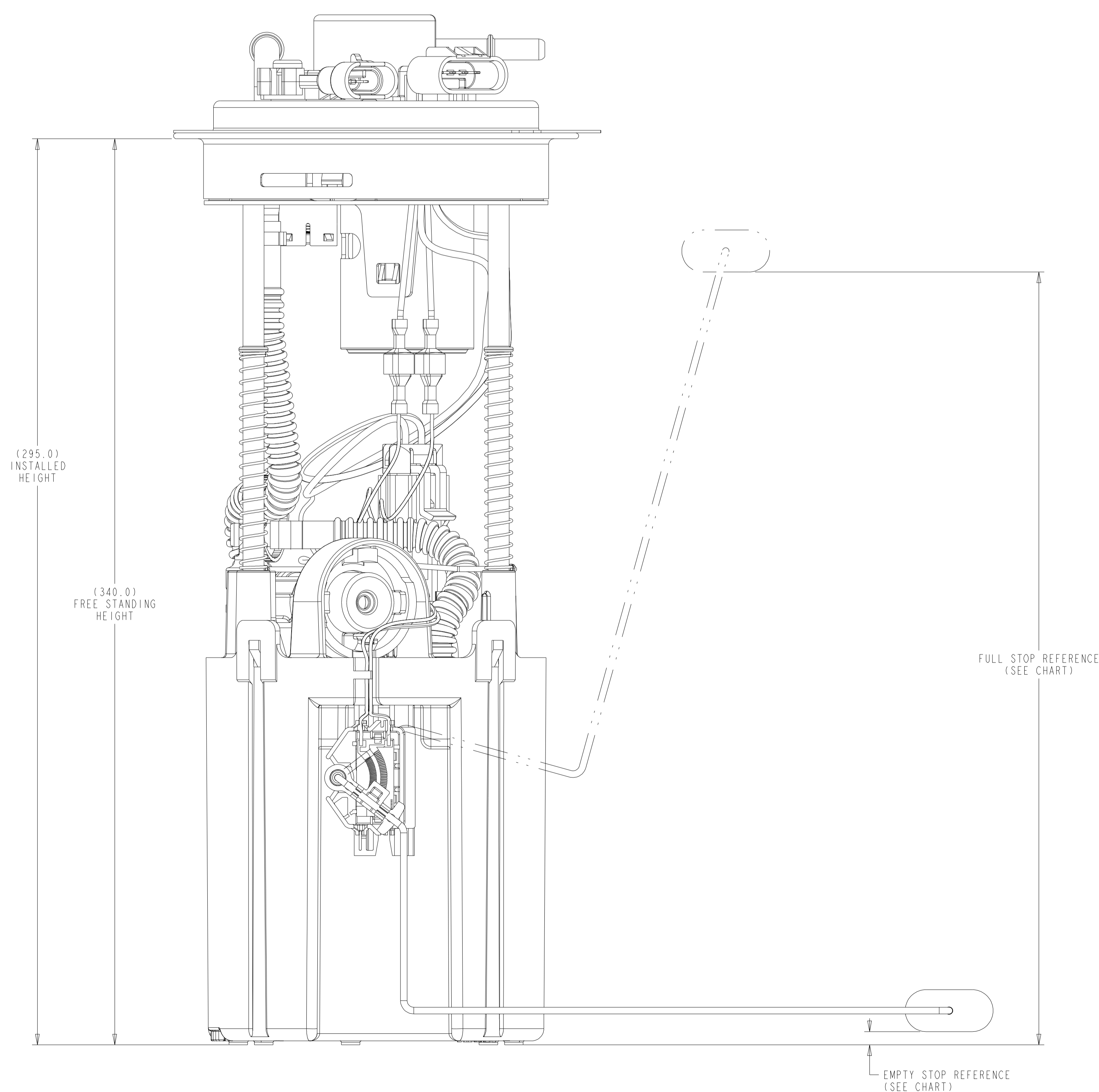


REVISIONS						
ZONE	LTR	DESCRIPTION	CHANGE No	DATE	BY	APPR'D
AA		INITIAL RELEASE	DR50934	09FEB15	SLK	AP
AB		UPDATED COVERPLATE	DR53394	03SEP15	JMM	BLM



VIEW X  
SCALE 2:1



LEVEL SENDER HEIGHT VS. RESISTANCE		
POSITION	HEIGHT	RESISTANCE
FULL STOP	290±1	40±3Ω
EMPTY STOP	5±1	250±3Ω

NOTES:

- CHANGE IN DESIGN, COMPOSITION, LOCATION OR PROCESSING FROM THE PART PREVIOUSLY APPROVED FOR PRODUCTION REQUIRES PRIOR APPROVAL BY TI AUTOMOTIVE.
- SPECIAL CUSTOMER PACKAGING REQUIREMENTS MAY CALL FOR THE ADDITION OF SPECIFIC LABELS NOT SHOWN ON THIS DRAWING.
- SHOWN WIRE ROUTING MAY DIFFER FROM FINISHED PRODUCT.

▽	DENOTES SOFTEN CHARACTERISTIC
◇	DENOTES SIGNIFICANT CHARACTERISTIC
◆	DENOTES HIGH IMPACT CHARACTERISTIC

METRIC  
ALL DIMENSIONS ARE IN MILLIMETERS

DO NOT SCALE

DECIMAL TOLERANCES UNLESS OTHERWISE SPECIFIED  
ONE PLACE ±0.25 TWO PLACE ±0.13 ANGLES ±1°

THIRD ANGLE PROJECTION

DIMENSIONS IN ACCORDANCE WITH ASME Y14.5 - 2009

**TI Automotive** 630 COLUMBIA ST.  
CARO, MI 48123  
+1 989.673.7127

ENGINEER	A. PECKHAM	09FEB15	MATERIAL SPECIFICATION:
DES. MANAGER			N/A
DESIGNER	S. KADY	09FEB15	

CAD SYSTEM: PROVE SCALE: 1:1 SHEET NO. 1 OF 1

REFERENCE TYPICAL: P/W REFERENCE KEY: 0001138347AB

REFERENCE TYPICAL: P/W REFERENCE KEY: 0001138347AB

2D: AR0039225/AB 3D: AR0039224/AB

DRAWING NAME: FUEL MODULE ASSEMBLY (AFT GMT900 HP)

DATE: 09FEB15 DRAWING NUMBER: TU4010HP