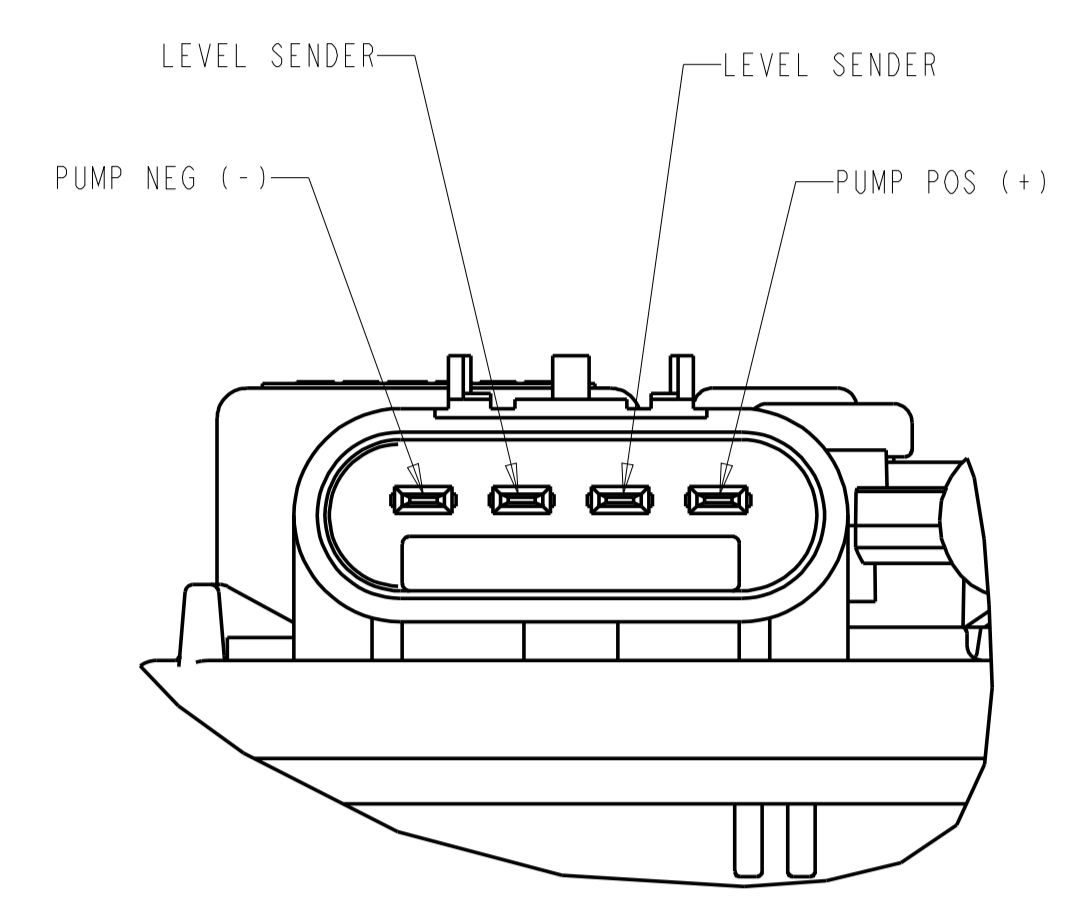
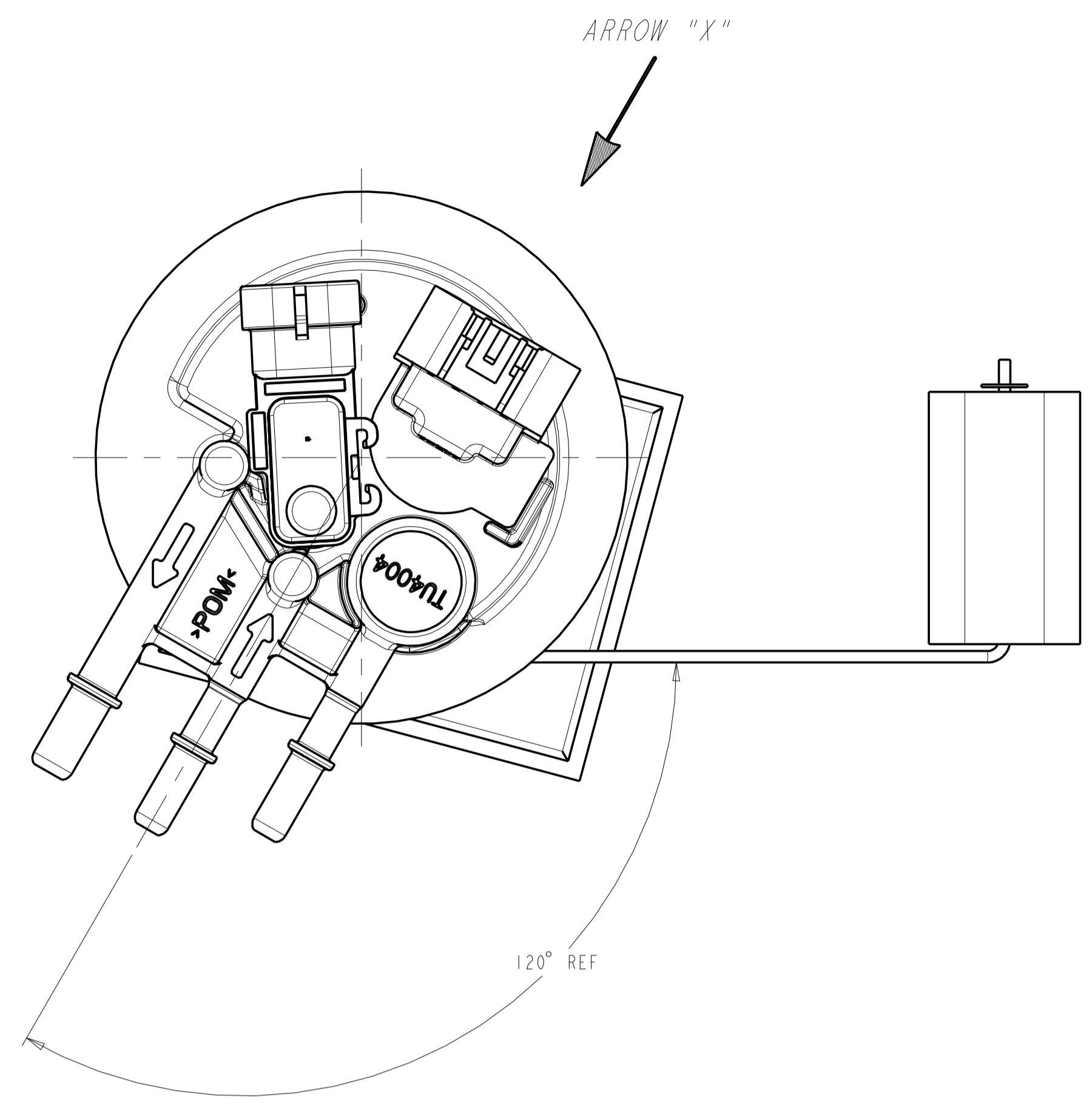
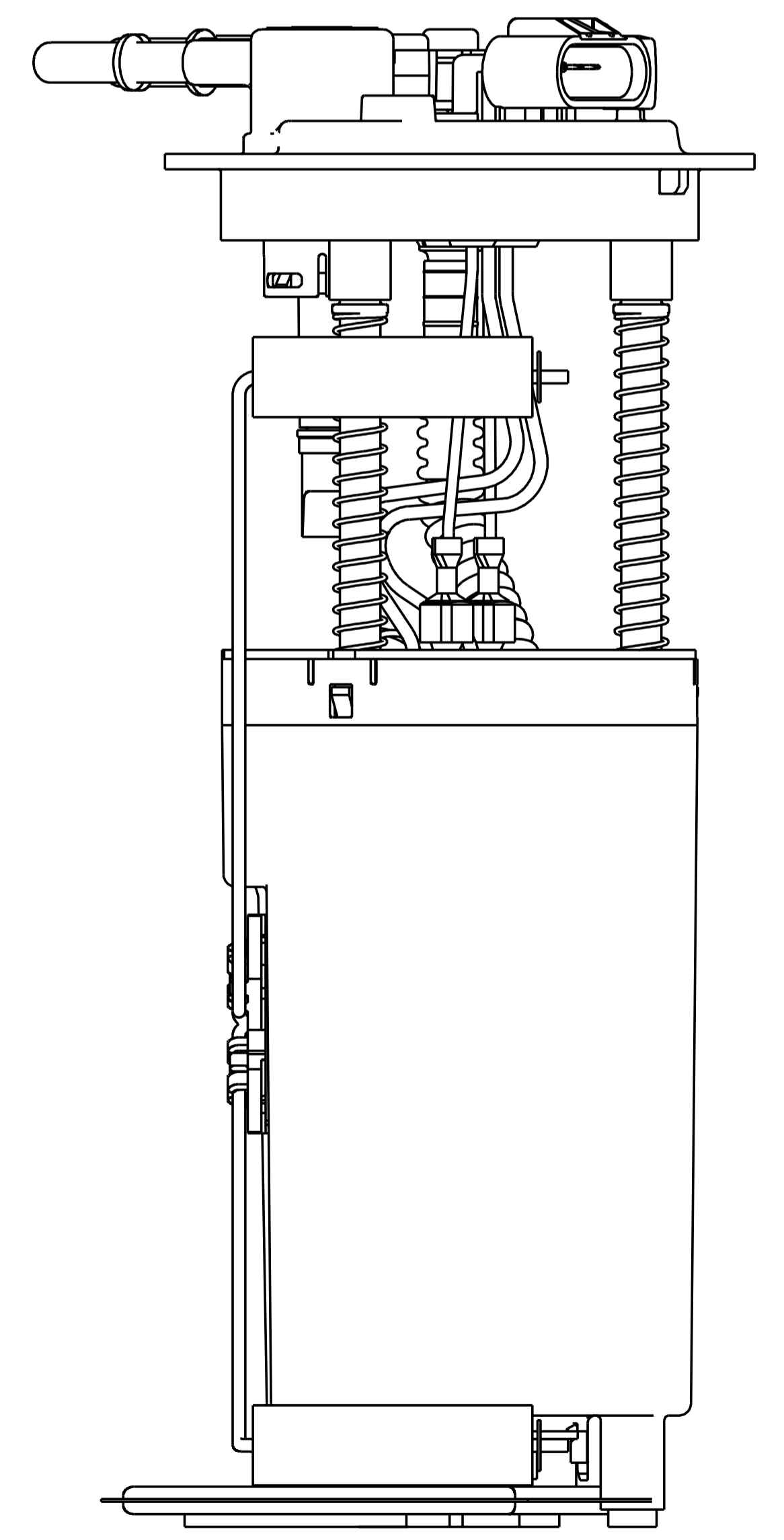
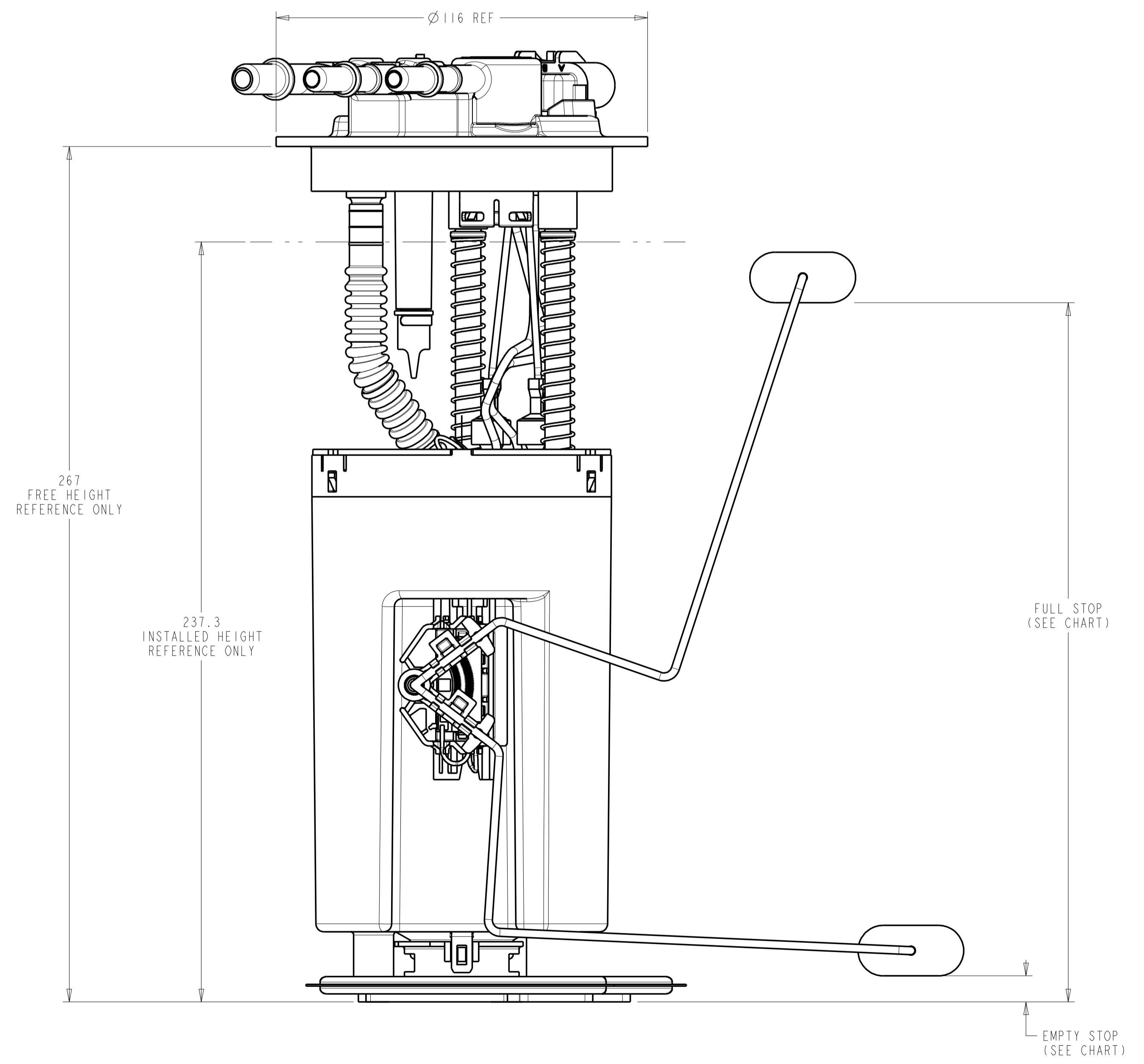


REVISIONS						
ZONE	LTR	DESCRIPTION	CHANGE No	DATE	BY	APPR'D
AA		INITIAL RELEASE	DR48450	09 JUL 14	RMB	DPW



E-CONNECTOR PINOUT  
VIEW IN DIRECTION OF ARROW "X"  
SCALE 2:1



LEVEL SENDER		
POINT	HEIGHT	OHMS
FULL STOP	218 REF	250
EMPTY STOP	8.5 REF	40

- NOTES:
- CHANGE IN DESIGN, COMPOSITION, LOCATION OR PROCESSING FROM THE PART PREVIOUSLY APPROVED FOR PRODUCTION REQUIRES PRIOR APPROVAL BY TI AUTOMOTIVE
  - REPLACES: GM# 88965816
  - PUMP USED: F20000161
  - MODULE TO BE PACKAGED USING COMPONENTS NOTED ON BOM SO THAT CONTAMINATION FROM FOREIGN MATERIAL IS PREVENTED:
    - PLUG PROTECTORS ON PORTS
    - POLYBAG

METRIC  
ALL DIMENSIONS ARE IN MILLIMETERS

DO NOT SCALE

DECIMAL TOLERANCES UNLESS OTHERWISE SPECIFIED  
ONE PLACE = ±0.25 TWO PLACE = ±0.13 ANGLES = 1°

THIRD ANGLE PROJECTION

DIMENSIONS IN ACCORDANCE WITH ASME Y14.5 - 2009

**TI Automotive** 630 COLUMBIA ST. CARO, MI 48723 +1 989.673.7727

ENGINEER: D.WILLIAMS 21MAY2014 MATERIAL SPECIFICATION:  
DES.MANAGER: PRODUCT: 000112684/AA  
DESIGNER: R.BRUBAKER 21MAY2014 P/W REFERENCE:  
CAD SYSTEM: PROVE SCALE: 1:1 SHEET NO. 1 OF 1  
REFERENCE TITLES: CAD DRW: AR0037330/AA CAD ASM: AR0037328/AA  
TOP LEVEL ASSEMBLY (COLORADO/CANYON)

DATE: 14 DRAWING NUMBER: TU4004

▽ DENOTES SAFETY CHARACTERISTIC  
◇ DENOTES SIGNIFICANT CHARACTERISTIC  
◊ DENOTES HIGH IMPACT CHARACTERISTIC

TI AUTOMOTIVE CONFIDENTIAL AND PROPRIETARY  
THIS DRAWING IS PROPERTY OF TI AUTOMOTIVE. ALL RIGHTS ARE RESERVED.  
REPRODUCTION OR TRANSMISSION OF THIS DRAWING WITHOUT THE WRITTEN  
APPROVAL OF TI AUTOMOTIVE IS PROHIBITED. THIS DRAWING IS PROVIDED FOR YOUR INFORMATION ONLY AND IS NOT TO BE USED FOR ANY OTHER PURPOSE.  
THIS DRAWING IS PROVIDED AS IS. TI AUTOMOTIVE MAKES NO WARRANTY, REPRESENTATION OR GUARANTEE OF ANY KIND, EXPRESS OR IMPLIED, REGARDING THE  
ACCURACY, COMPLETENESS, OR FITNESS FOR ANY PARTICULAR PURPOSE OF THIS DRAWING.  
TI AUTOMOTIVE SHALL NOT BE RESPONSIBLE FOR ANY DAMAGE, INCLUDING CONSEQUENTIAL DAMAGES, ARISING FROM THE USE OF THIS DRAWING.  
FOR MORE INFORMATION, CONTACT TI AUTOMOTIVE. ALL RIGHTS RESERVED.