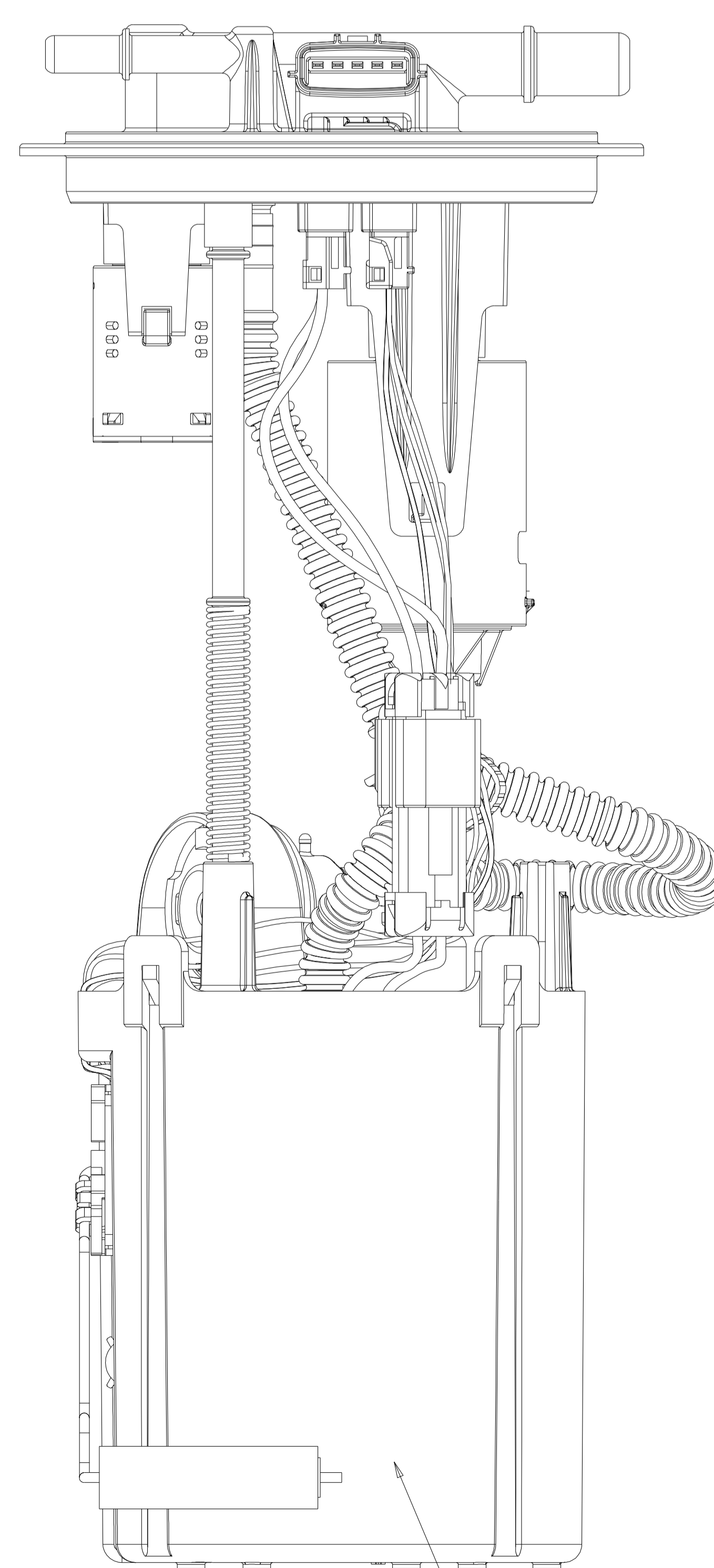
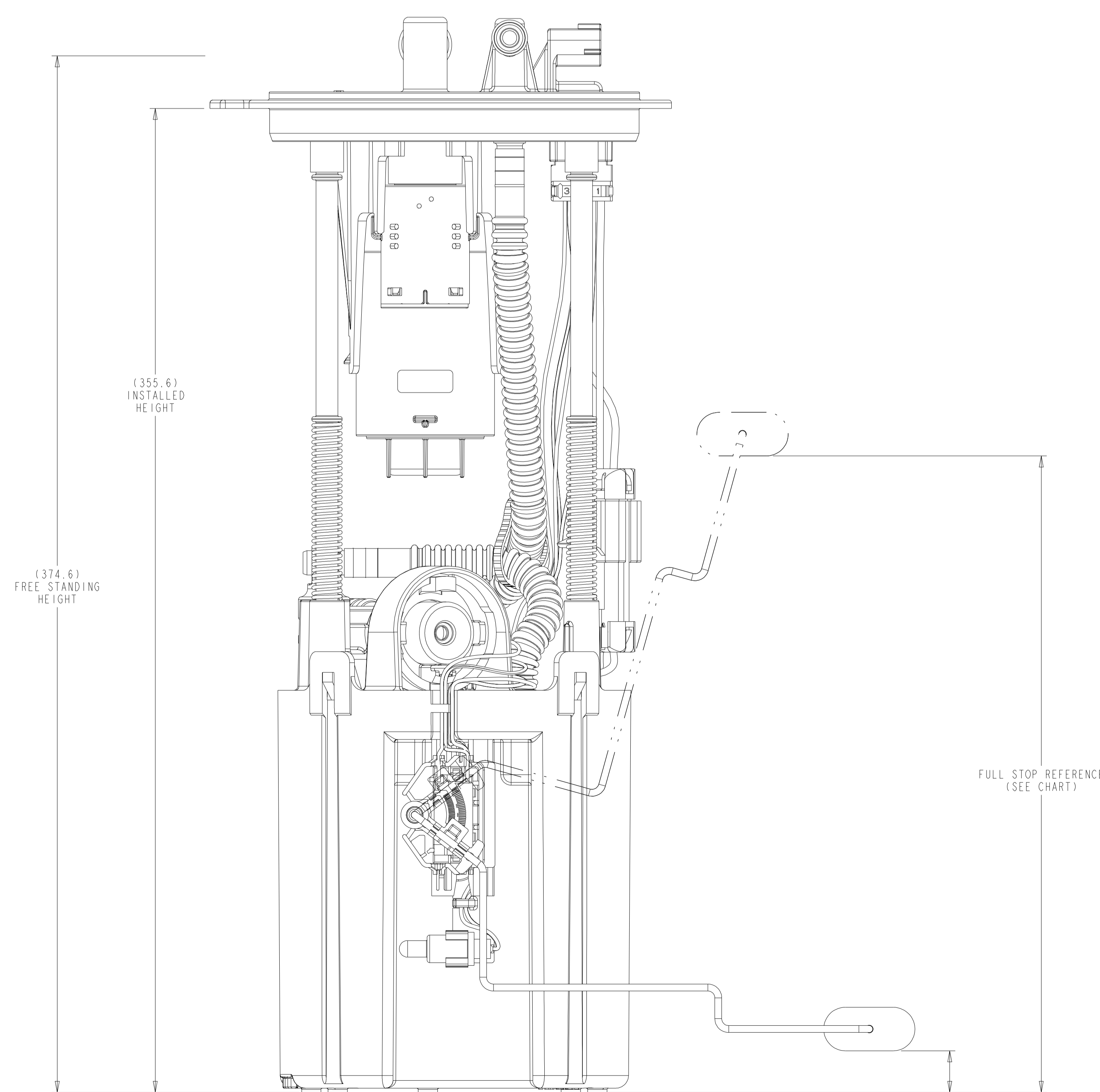
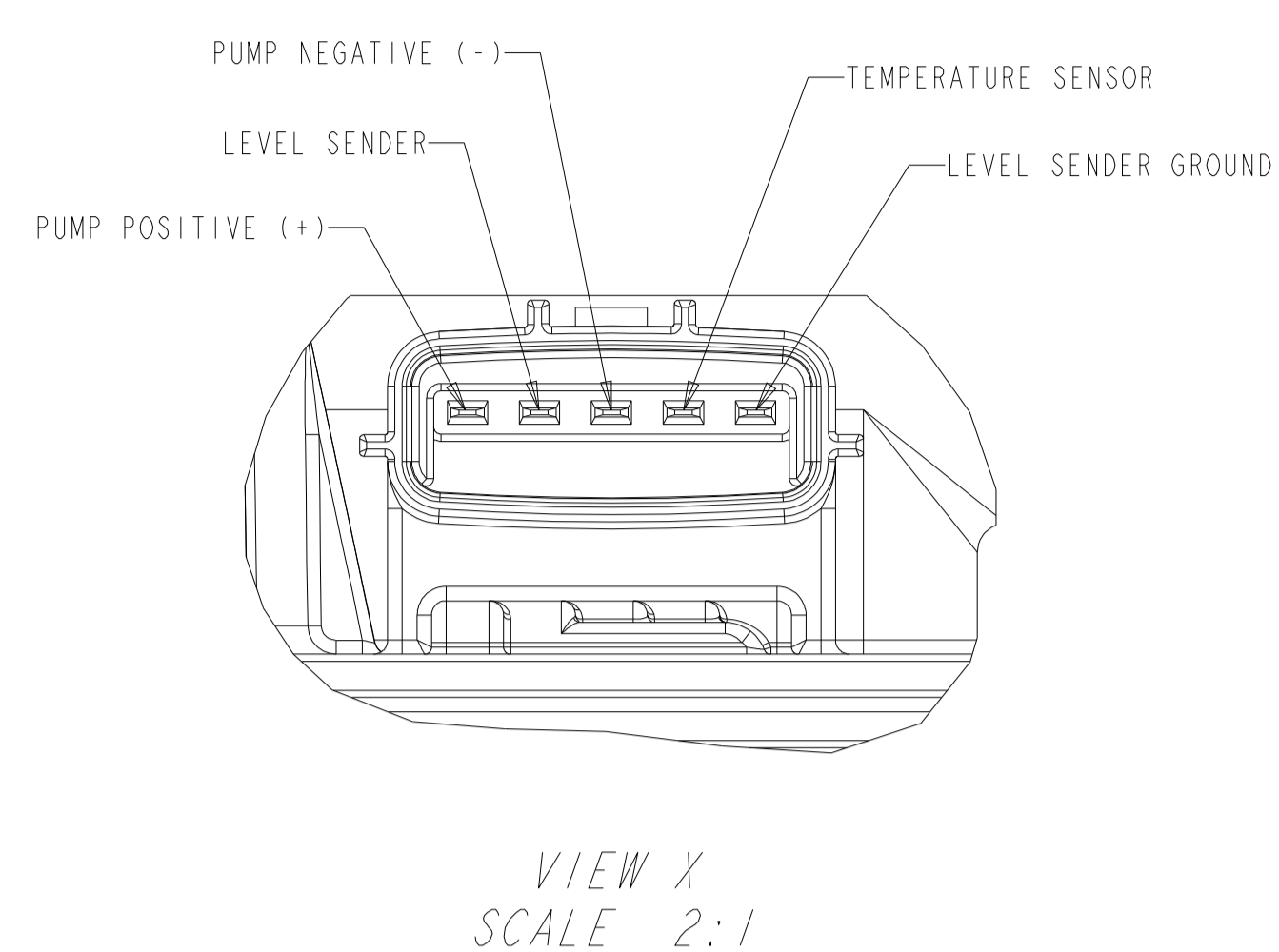
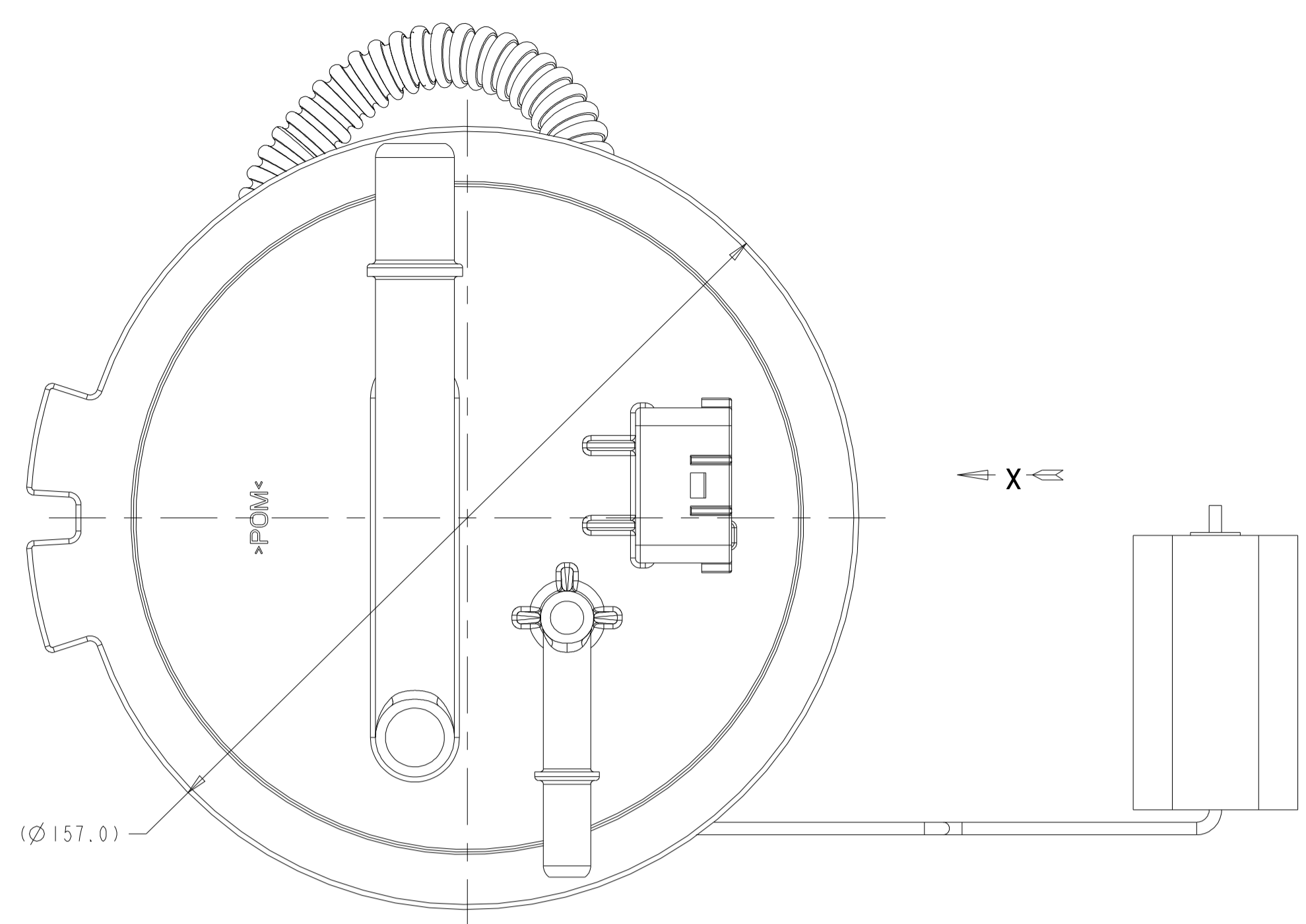


REVISIONS						
ZONE	LTR	DESCRIPTION	CHANGE No	DATE	BY	APPR'D
AA		INITIAL RELEASE	DR56466	06APR16	SLK	BLM



LEVEL SENDER HEIGHT VS. RESISTANCE		
POSITION	HEIGHT	RESISTANCE
FULL STOP	230±1	5±3(2)
EMPTY STOP	15±1	81.5±3(2)

NOTES:

- CHANGE IN DESIGN, COMPOSITION, LOCATION OR PROCESSING FROM THE PART PREVIOUSLY APPROVED FOR PRODUCTION REQUIRES PRIOR APPROVAL BY TI AUTOMOTIVE.
- SPECIAL CUSTOMER PACKAGING REQUIREMENTS MAY CALL FOR THE ADDITION OF SPECIFIC LABELS NOT SHOWN ON THIS DRAWING.
- SHOWN WIRE ROUTING MAY DIFFER FROM FINISHED PRODUCT.

KEY PRODUCT CHARACTERISTICS	
SEE TO TI AUTOMOTIVE GLOBAL ADVANCED QUALITY PLANING DOCUMENT A TFS004-001 FOR THE CLASSIFICATION AND CONTROL OF KEY PRODUCT CHARACTERISTICS	2024
SAFETY CHARACTERISTIC	---
CRITICAL CHARACTERISTIC	---
HIGH IMPACT CHARACTERISTIC	---

ALL DIMENSIONS ARE IN MILLIMETERS

DO NOT SCALE

DECIMAL TOLERANCES UNLESS OTHERWISE SPECIFIED
ONE PLACE ±0.25 TWO PLACE ±0.13 ANGLES ±1°

THIRD ANGLE PROJECTION

DIMENSIONS IN ACCORDANCE WITH ASME Y14.5 - 2009

630 COLUMBIA ST.
CARO, MI 48723
+1 989.673.7727

ENGINEER: B.MIDDLETON 06APR16 MATERIAL/SPECIFICATION: N/A
DESIGNER: S.KADY 06APR16
CAD SYSTEM: PROE SCALE: 1:1 SHEET NO. 1 OF 1
REFERENCE TO: AR0043029/AA
REVISED TO: AR0043028/AA
DRAWING NAME: FUEL MODULE ASM (AFT NISSAN TRUCK, FFV, HP)
STL: A0 DRAWING NUMBER: TU336HP