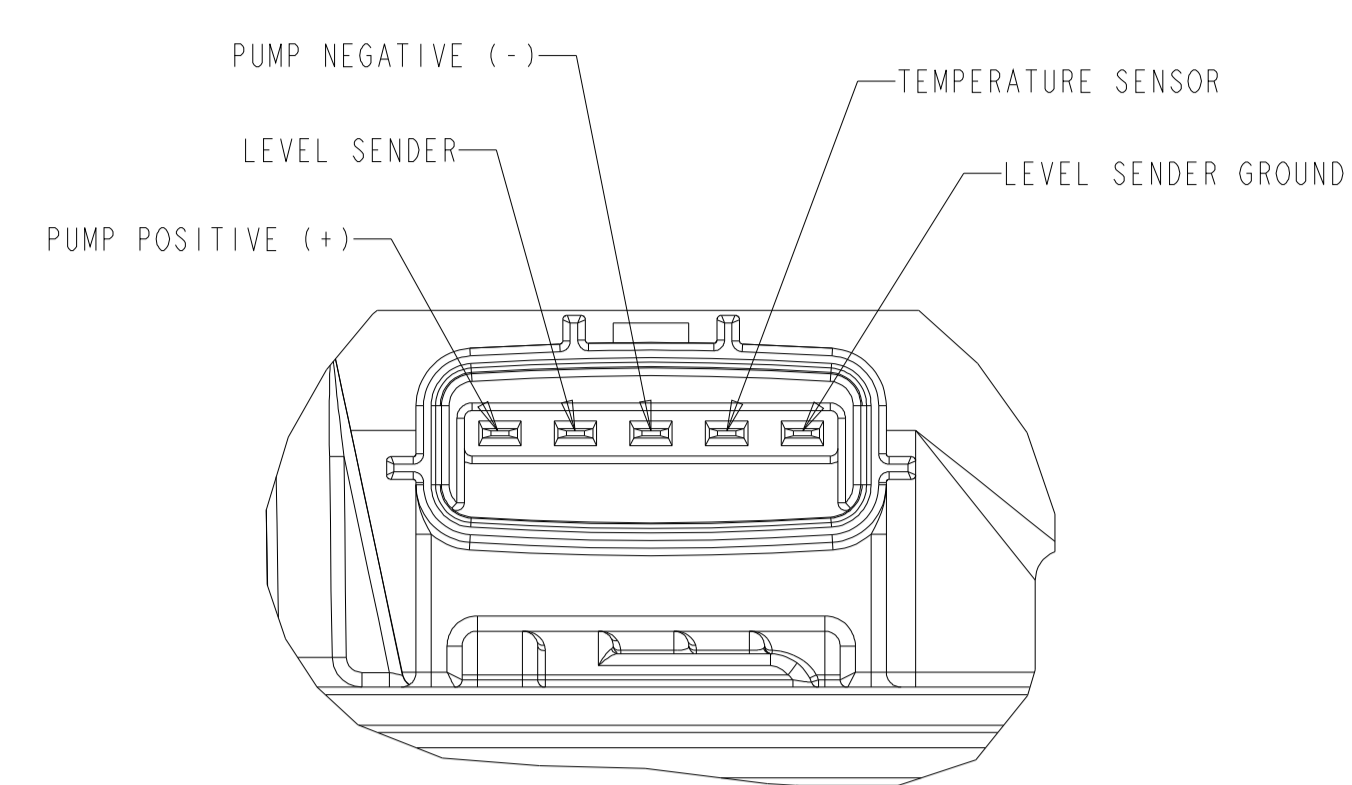
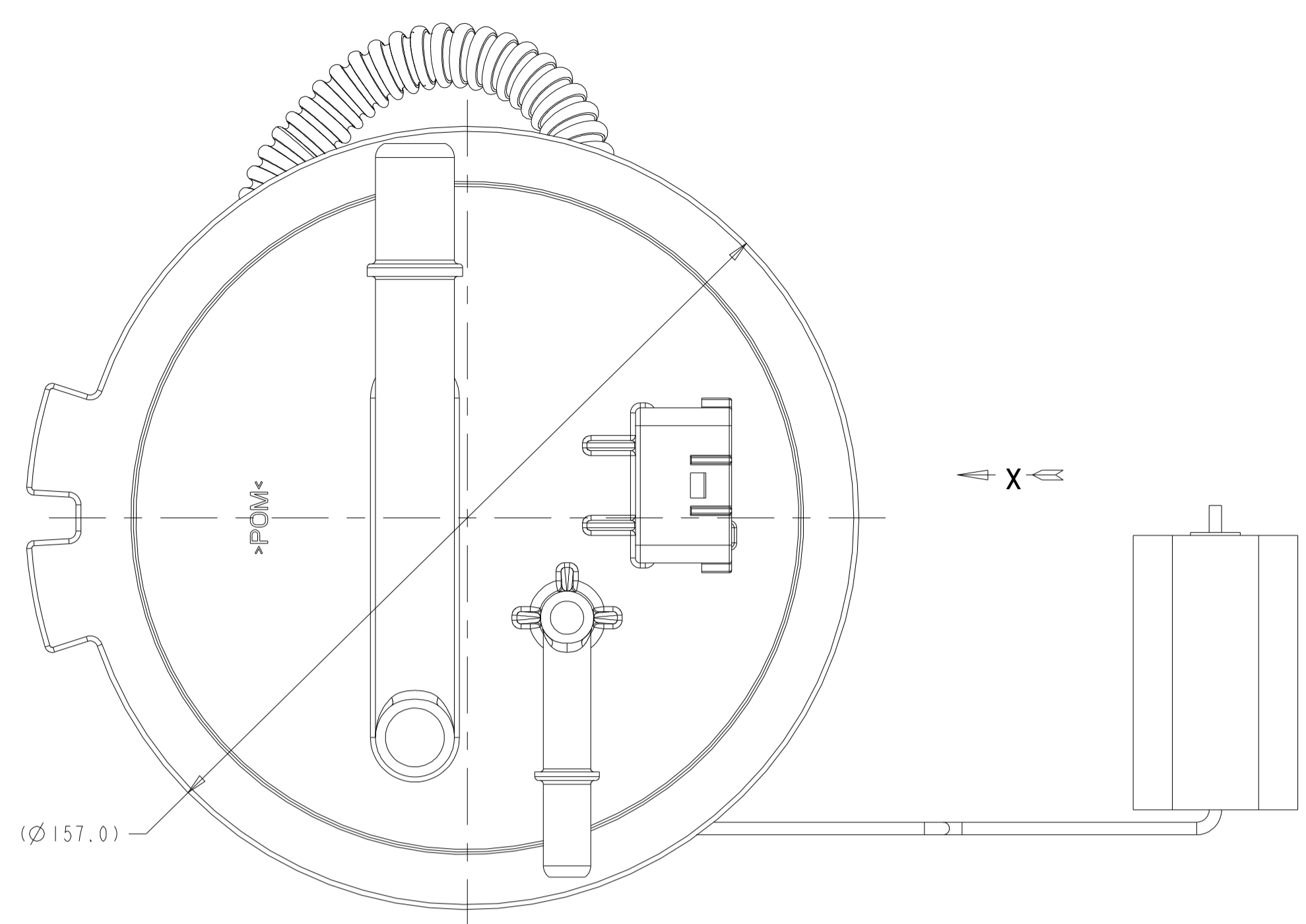
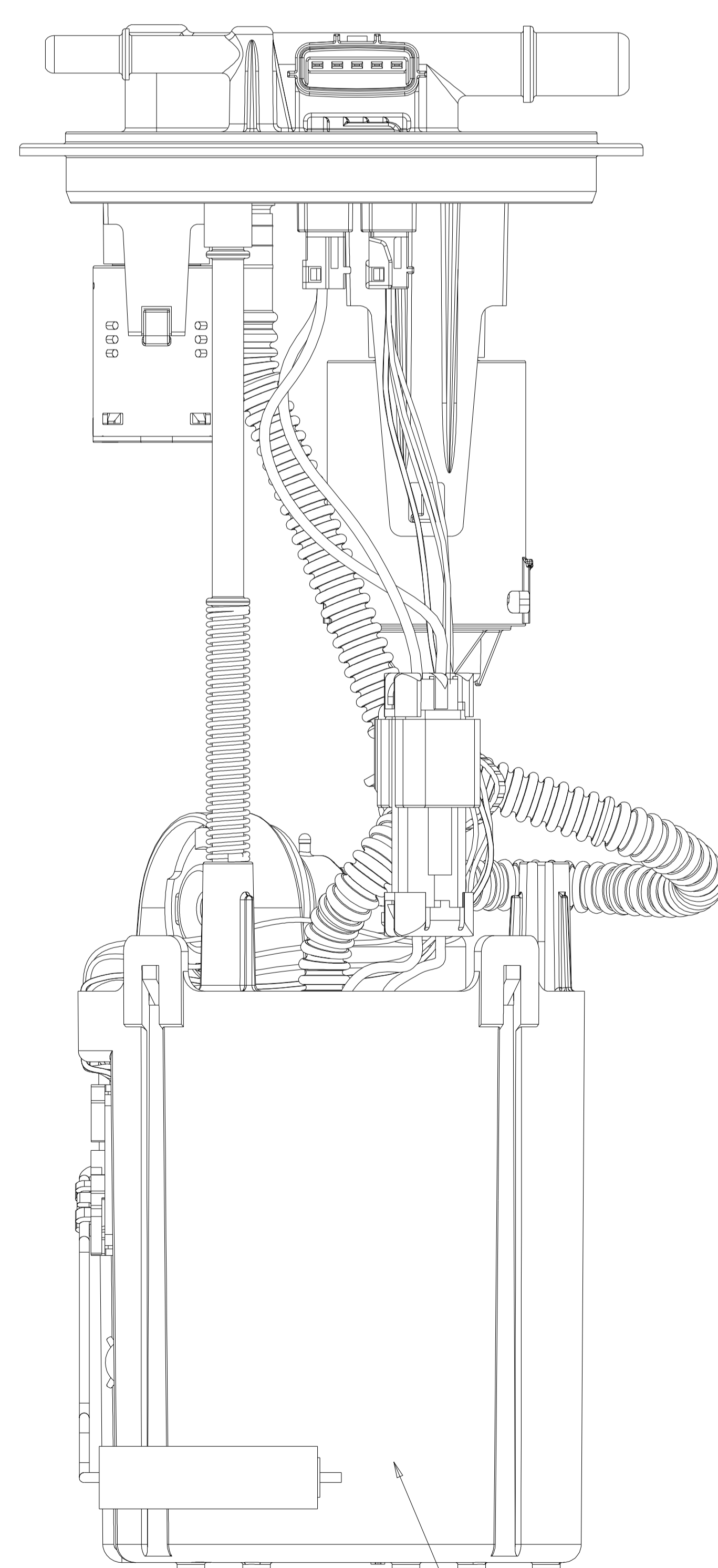
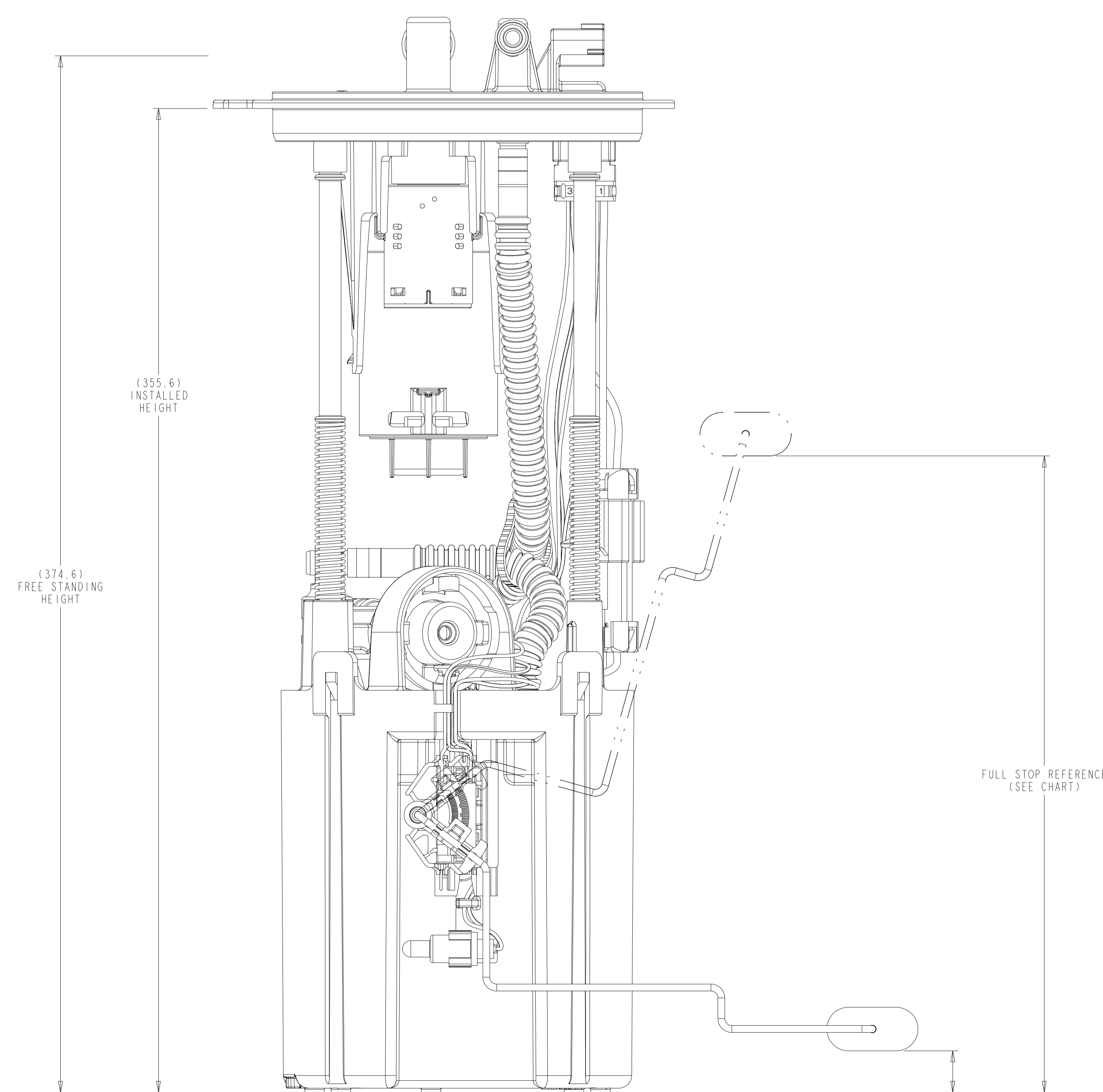


REVISIONS						
ZONE	LTR	DESCRIPTION	CHANGE No	DATE	BY	APPR'D
AA		INITIAL RELEASE	DR56464	31MAR16	SLK	BLM



VIEW X
SCALE 2:1



LEVEL SENDER HEIGHT VS. RESISTANCE		
POSITION	HEIGHT	RESISTANCE
FULL STOP	230±1	5±3(2)
EMPTY STOP	15±1	81.5±3(2)

NOTES:

- CHANGE IN DESIGN, COMPOSITION, LOCATION OR PROCESSING FROM THE PART PREVIOUSLY APPROVED FOR PRODUCTION REQUIRES PRIOR APPROVAL BY TI AUTOMOTIVE.
- SPECIAL CUSTOMER PACKAGING REQUIREMENTS MAY CALL FOR THE ADDITION OF SPECIFIC LABELS NOT SHOWN ON THIS DRAWING.
- SHOWN WIRE ROUTING MAY DIFFER FROM FINISHED PRODUCT.

KEY PRODUCT CHARACTERISTICS	
SEE DRAWING FOR IDENTIFICATION AND CONTROL OF KEY PRODUCT CHARACTERISTICS	SEE DRAWING FOR IDENTIFICATION AND CONTROL OF KEY PRODUCT CHARACTERISTICS
SAFETY CHARACTERISTIC	CRITICAL CHARACTERISTIC
HIGH IMPACT CHARACTERISTIC	

ALL DIMENSIONS ARE IN MILLIMETERS

DO NOT SCALE

DECIMAL TOLERANCES UNLESS OTHERWISE SPECIFIED
ONE PLACE ±0.25 TWO PLACE ±0.13 ANGLES ±1°

THIRD ANGLE PROJECTION

DIMENSIONS IN ACCORDANCE WITH ASME Y14.5 - 2009

TI Automotive

630 COLUMBIA ST.
CARO, MI 48723
+1 989.673.7727

ENGINEER: B.WIDDLETON	31MAR16	MATERIAL/SPECIFICATION: N/A
DESIGNER: S.KADY	31MAR16	
CAD SYSTEM: PROVE	SCALE: 1:1	SHEET NO. 1 OF 1
REFERENCE FRAME: AR0042986/AA		
REFERENCE FRAME: AR0042985/AA		
DRAWING NAME: FUEL MODULE ASM (AFT NISSAN TRUCK, FFV, HP)		
SIZE: A0	DRAWING NUMBER: TU327HP	