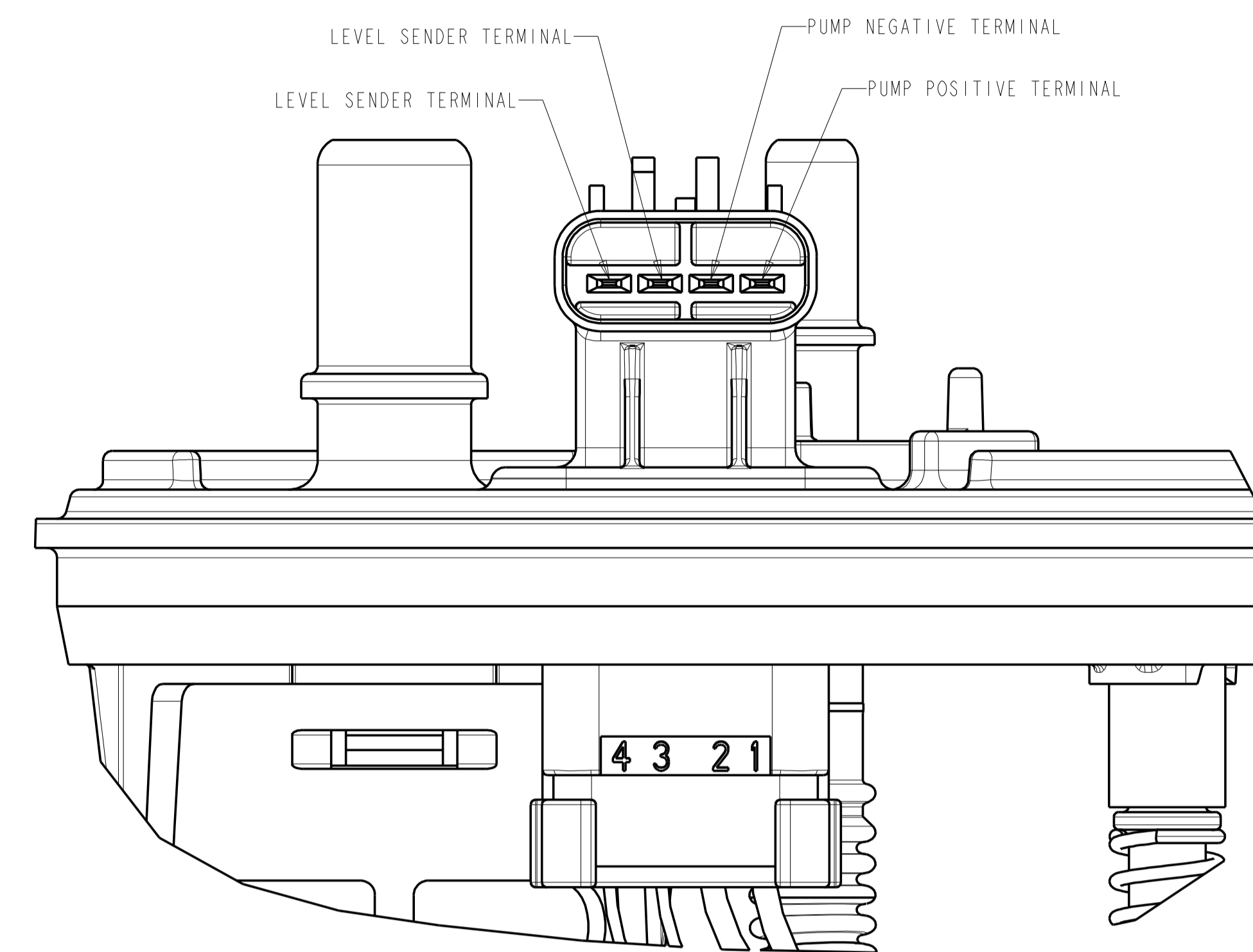
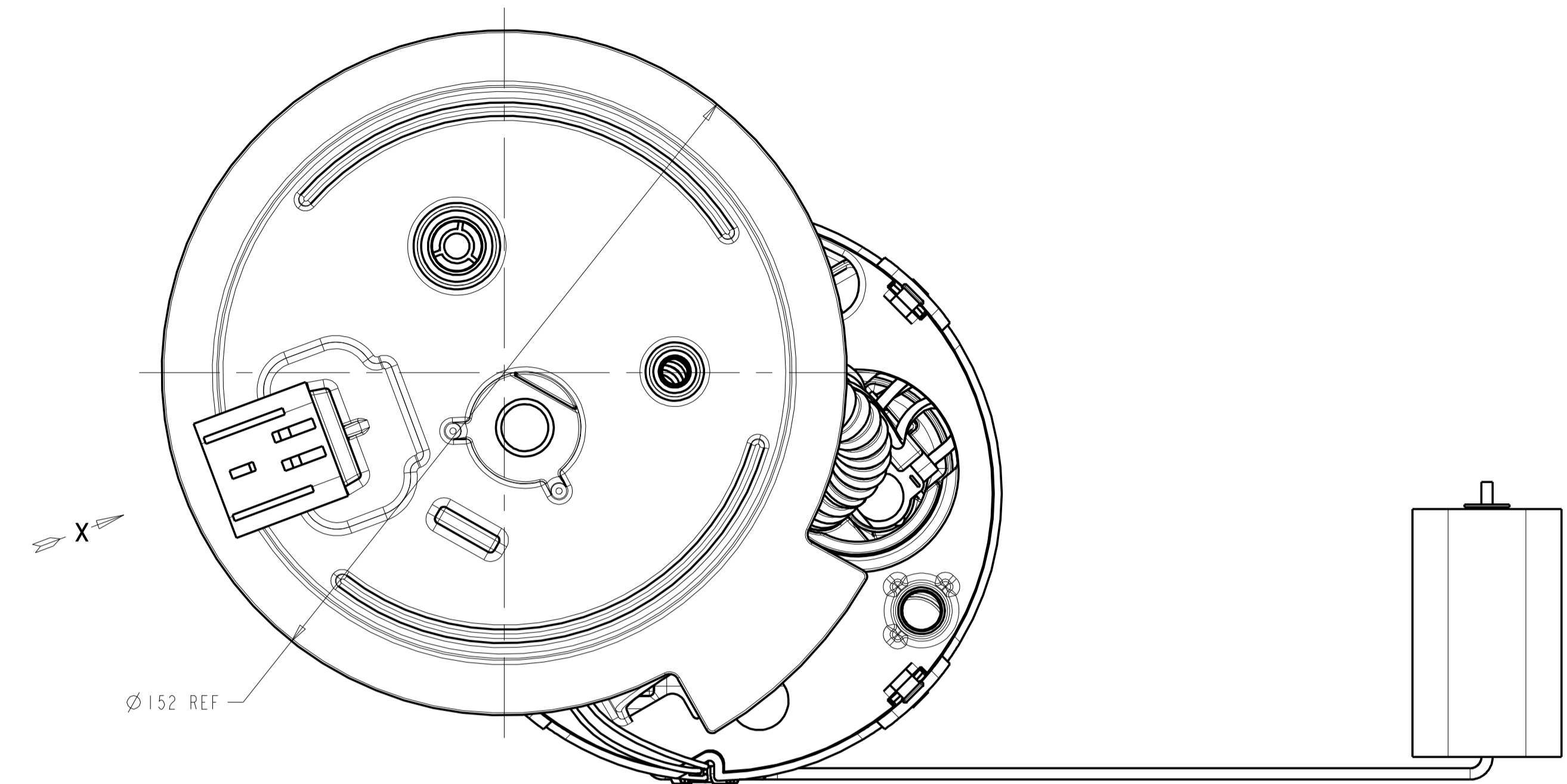
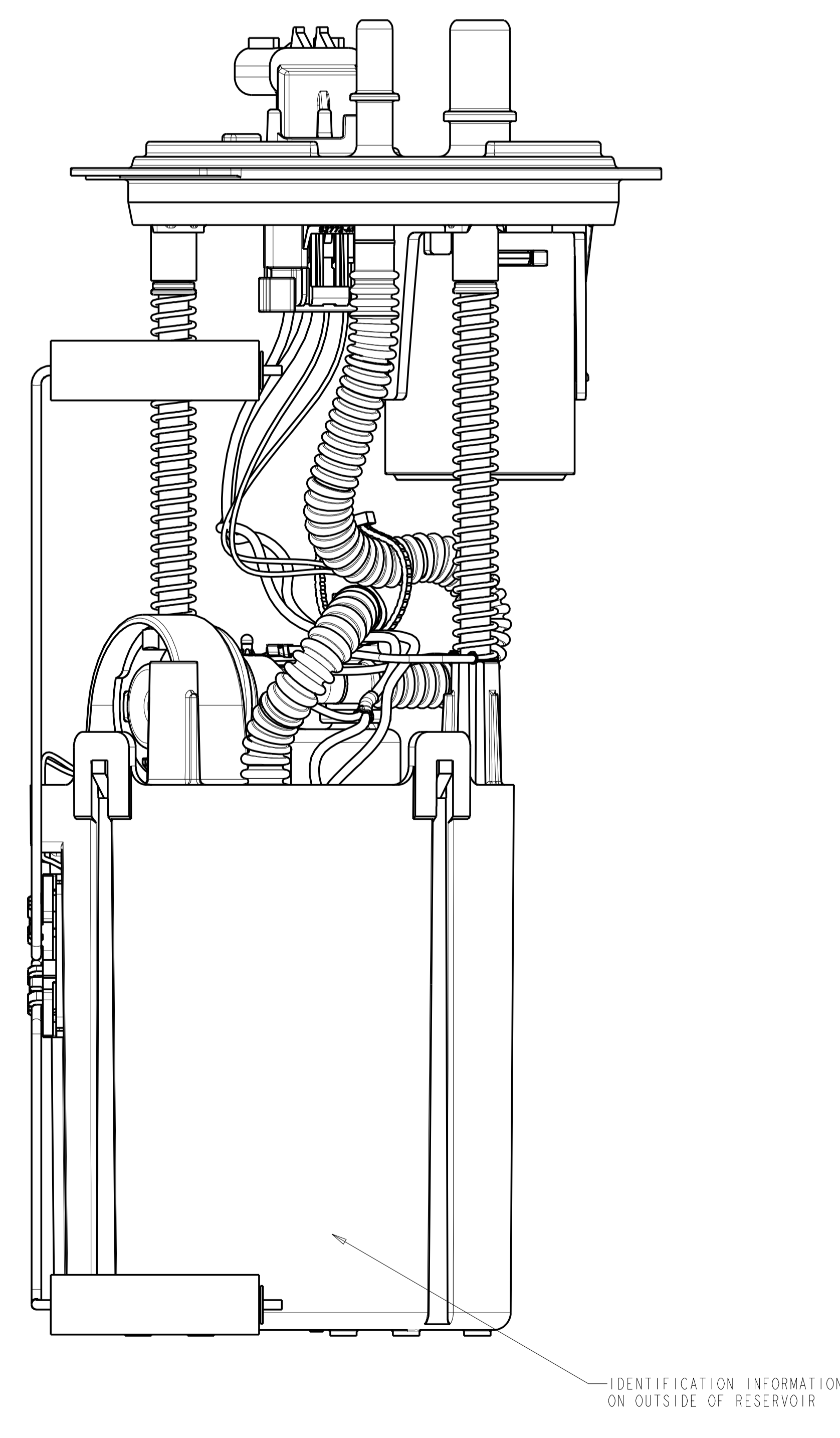
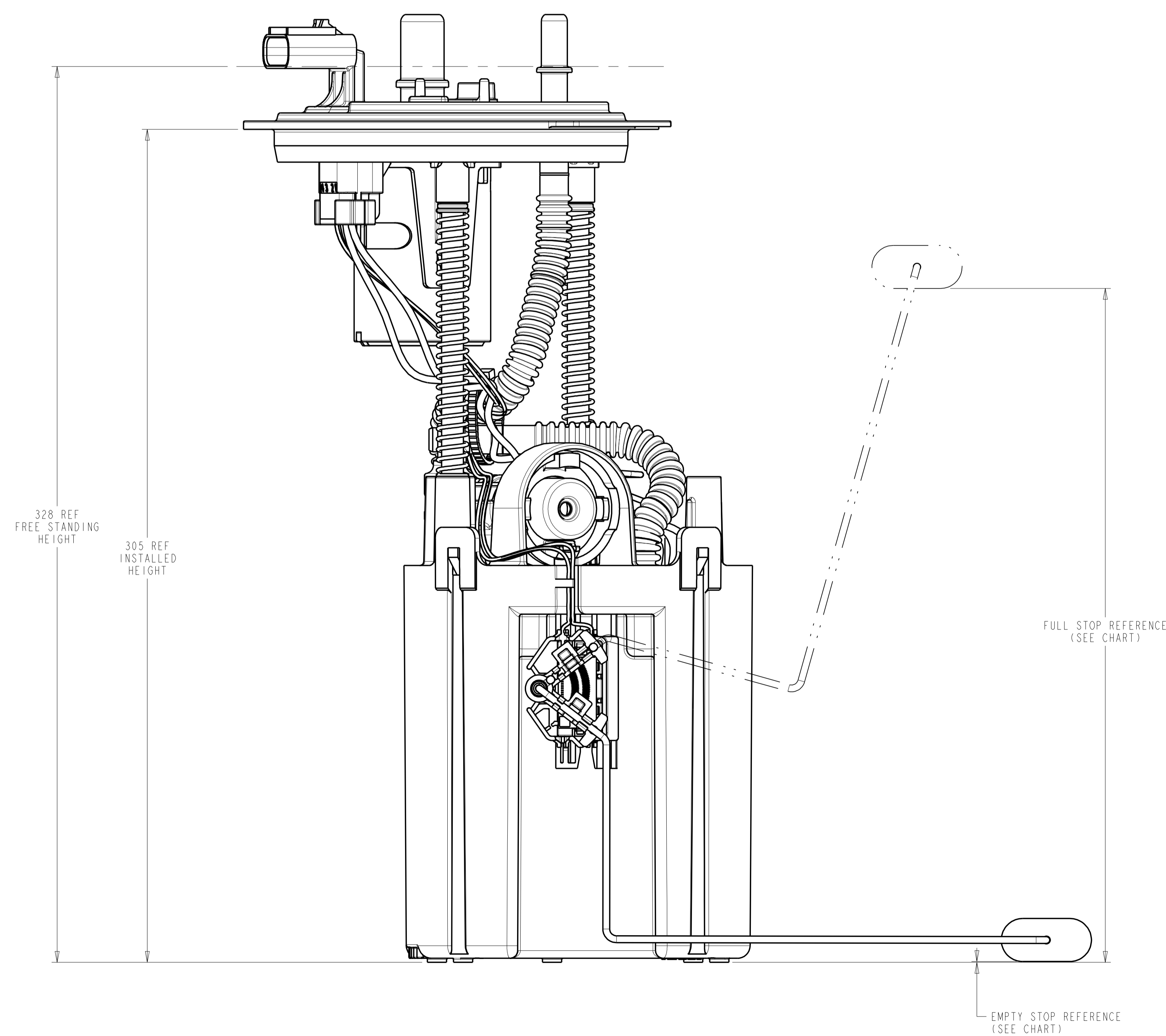


REVISIONS						
ZONE	LTR	DESCRIPTION	CHANGE No	DATE	BY	APPR'D
AA		INITIAL RELEASE	DR51232	08SEP15	RMB	BLM
AB		REMOVE EXTRA GRND WIRE FRM VIEWS	DR55833	13JAN16	RMB	BLM



VIEW IN DIRECTION OF ARROW "X"  
E-CONNECTOR PINOUT  
SCALE 2:1



LEVEL SENDER UNIT HEIGHT VS RESISTANCE		
FLOAT POSITION	HEIGHT (mm)	RESISTANCE (Ohms)
FULL STOP	246.9 REF	10 ± 2
EMPTY STOP	0.0 REF	180 ± 4

NOTES:

- CHANGE IN DESIGN, COMPOSITION, LOCATION OR PROCESSING FROM THE PART PREVIOUSLY APPROVED FOR PRODUCTION REQUIRES PRIOR APPROVAL BY TI AUTOMOTIVE.
- SPECIAL CUSTOMER PACKAGING REQUIREMENTS MAY CALL FOR THE ADDITION OF SPECIFIC LABELS NOT SHOWN ON THIS DRAWING.
- SHOWN WIRE ROUTING MAY DIFFER FROM FINISHED PRODUCT.
- MODULE TO BE PACKAGED USING COMPONENTS NOTED ON BOM SO THAT CONTAMINATION FROM FOREIGN MATERIAL IS PREVENTED:
  - PLUG PROTECTORS ON PORTS
  - POLYBAG

▽	DENOTES SAFETY CHARACTERISTIC
◊	DENOTES SIGNIFICANT CHARACTERISTIC
◇	DENOTES HIGH IMPACT CHARACTERISTIC
<small>TI AUTOMOTIVE CONFIDENTIAL AND PROPRIETARY THIS DRAWING IS PROPERTY OF TI AUTOMOTIVE. ALL RIGHTS ARE RESERVED. REPRODUCTION OR TRANSMISSION OF THIS DRAWING WITHOUT THE WRITTEN PERMISSION OF TI AUTOMOTIVE IS PROHIBITED. THIS DRAWING IS PROVIDED FOR INFORMATION ONLY AND IS NOT TO BE USED FOR PRODUCTION OR ASSEMBLY. DIMENSIONS ARE IN MILLIMETERS UNLESS OTHERWISE SPECIFIED. TOLERANCES UNLESS OTHERWISE SPECIFIED: FRACTIONAL DIMENSIONS: 10 DECIMAL DIMENSIONS: 0.25 ANGLES: 0.1 DIMENSIONS IN ACCORDANCE WITH ASME Y14.5 - 2009 DATE: 13JAN16 DRAWN BY: RMB CHECKED BY: BLM APPROVED BY: DR55833</small>	

METRIC  
ALL DIMENSIONS ARE IN MILLIMETERS

DO NOT SCALE

DECIMAL TOLERANCES UNLESS OTHERWISE SPECIFIED  
ONE PLACE ±0.25 TWO PLACE ±0.13 ANGLES 0.1°

THIRD ANGLE PROJECTION

DIMENSIONS IN ACCORDANCE WITH ASME Y14.5 - 2009

**TI Automotive** 630 COLUMBIA ST. CARO, MI 48123 +1 989.673.7127

ENGINEER	B. WIDDLETON	DESIGNER	R. BRUBAKER	MATERIAL SPECIFICATION	N/A
DESIGN MANAGER		DESIGNER	R. BRUBAKER	DESIGNER	R. BRUBAKER

CAD SYSTEM: PROVE SCALE: 1:1 SHEET NO. 1 OF 1

REFERENCE TYPING: P/N REFERENCE: 2D: AR0039563/AB P/N REFERENCE: 3D: AR0039561/AB

REFERENCE: 000001: 000113886/AA

DRAWING NAME: FUEL MODULE ASME(AFTMKT F150 12-14 TURBO

DATE: 13JAN16 DRAWING NUMBER: TU297HP