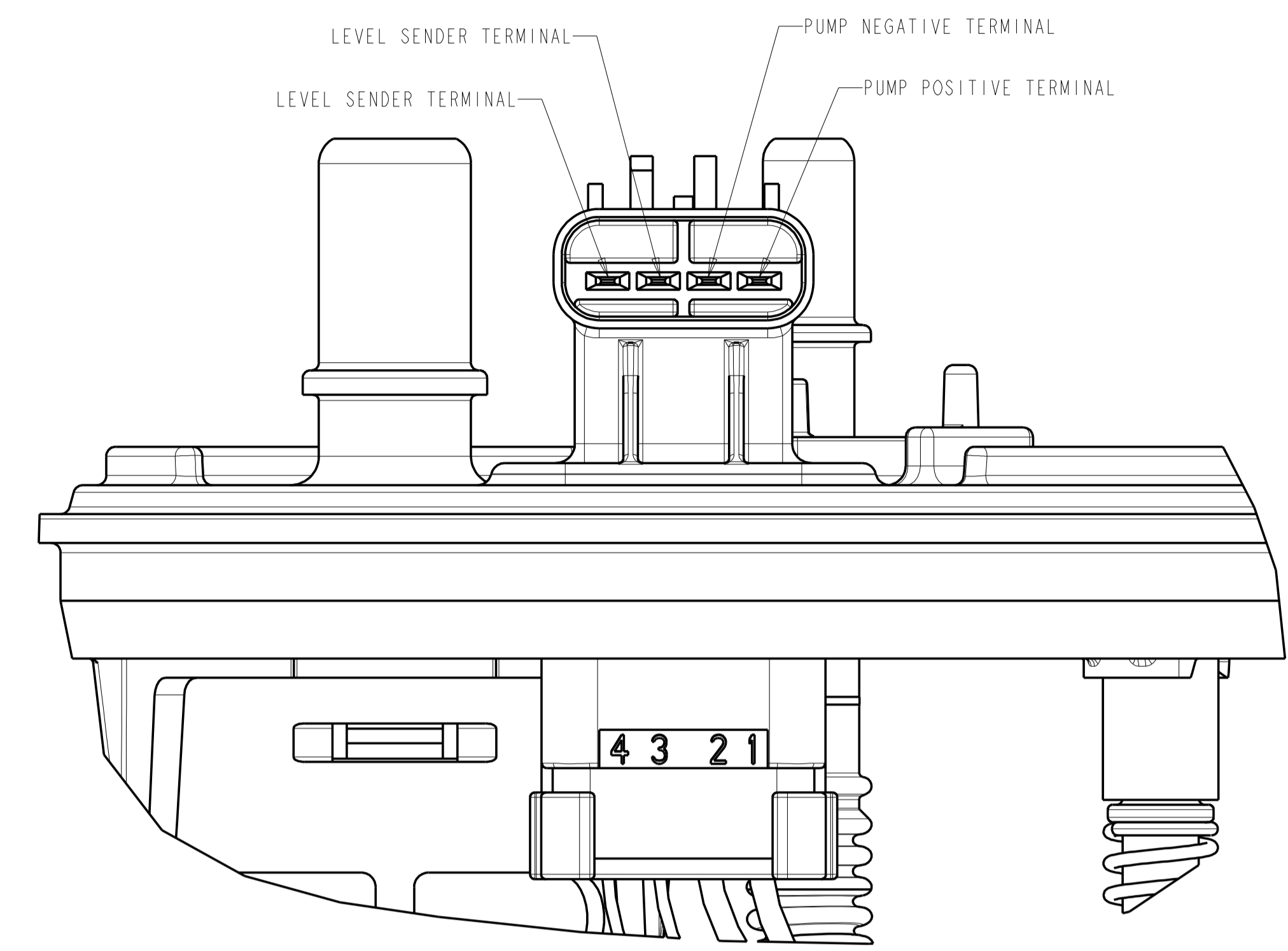
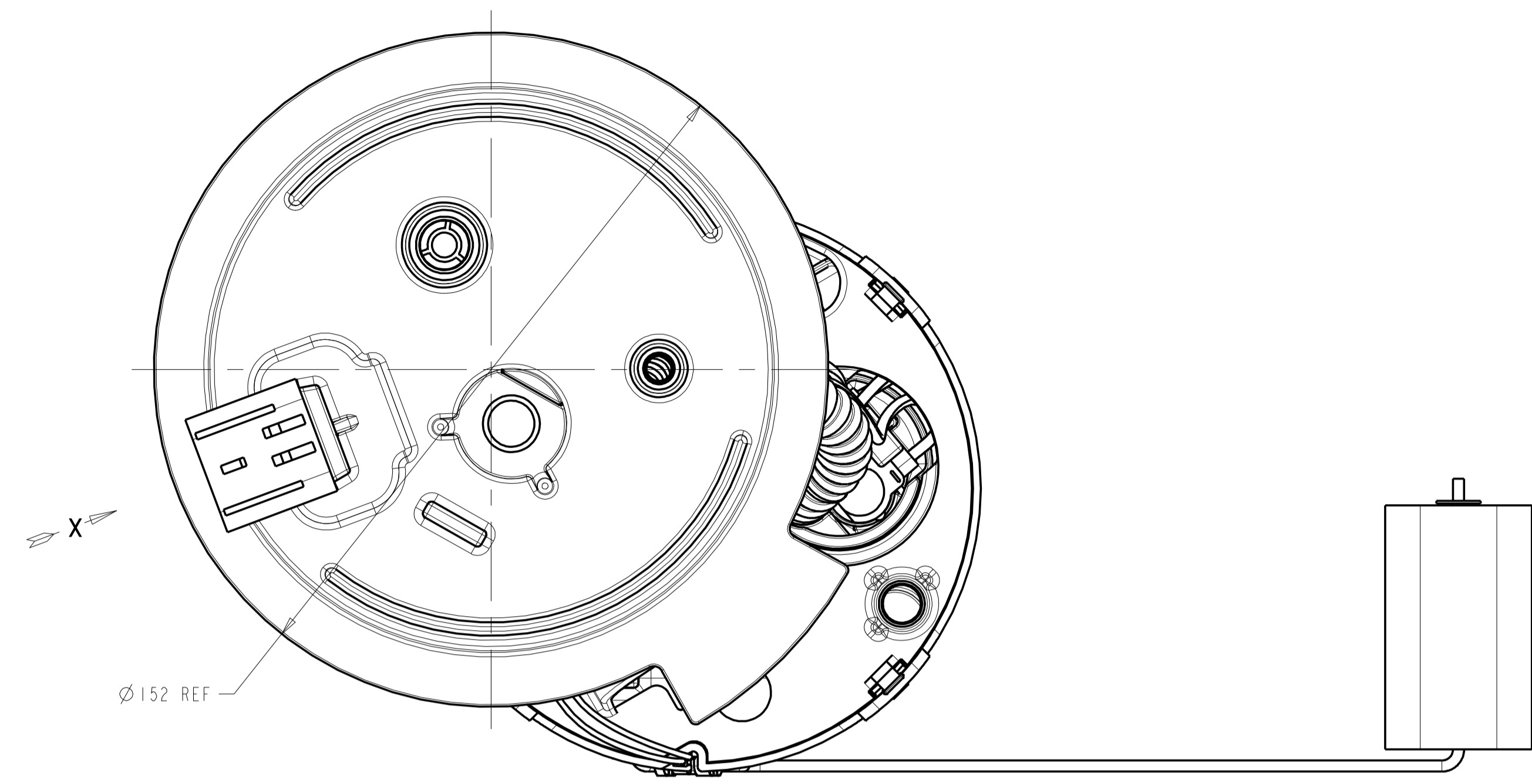
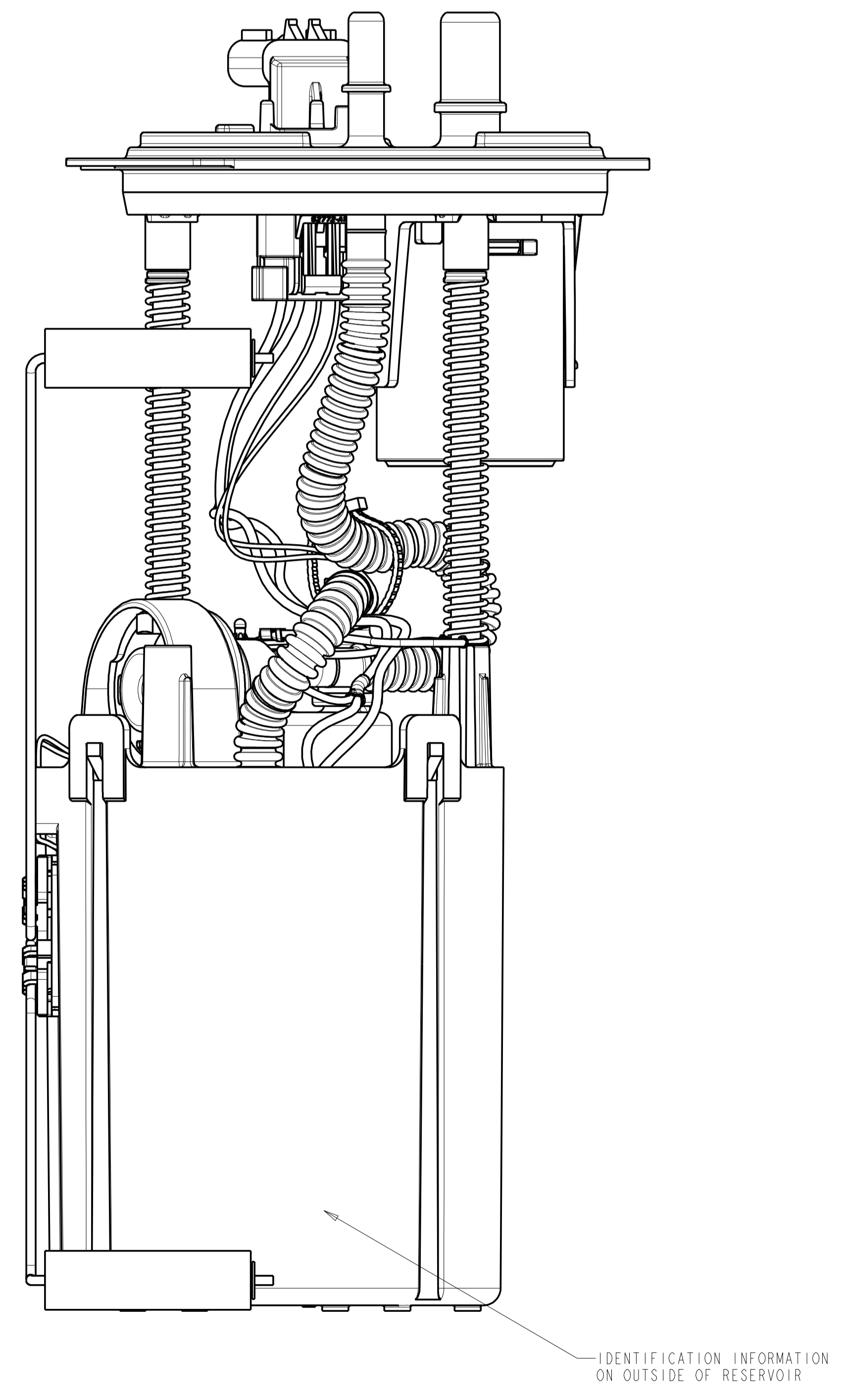
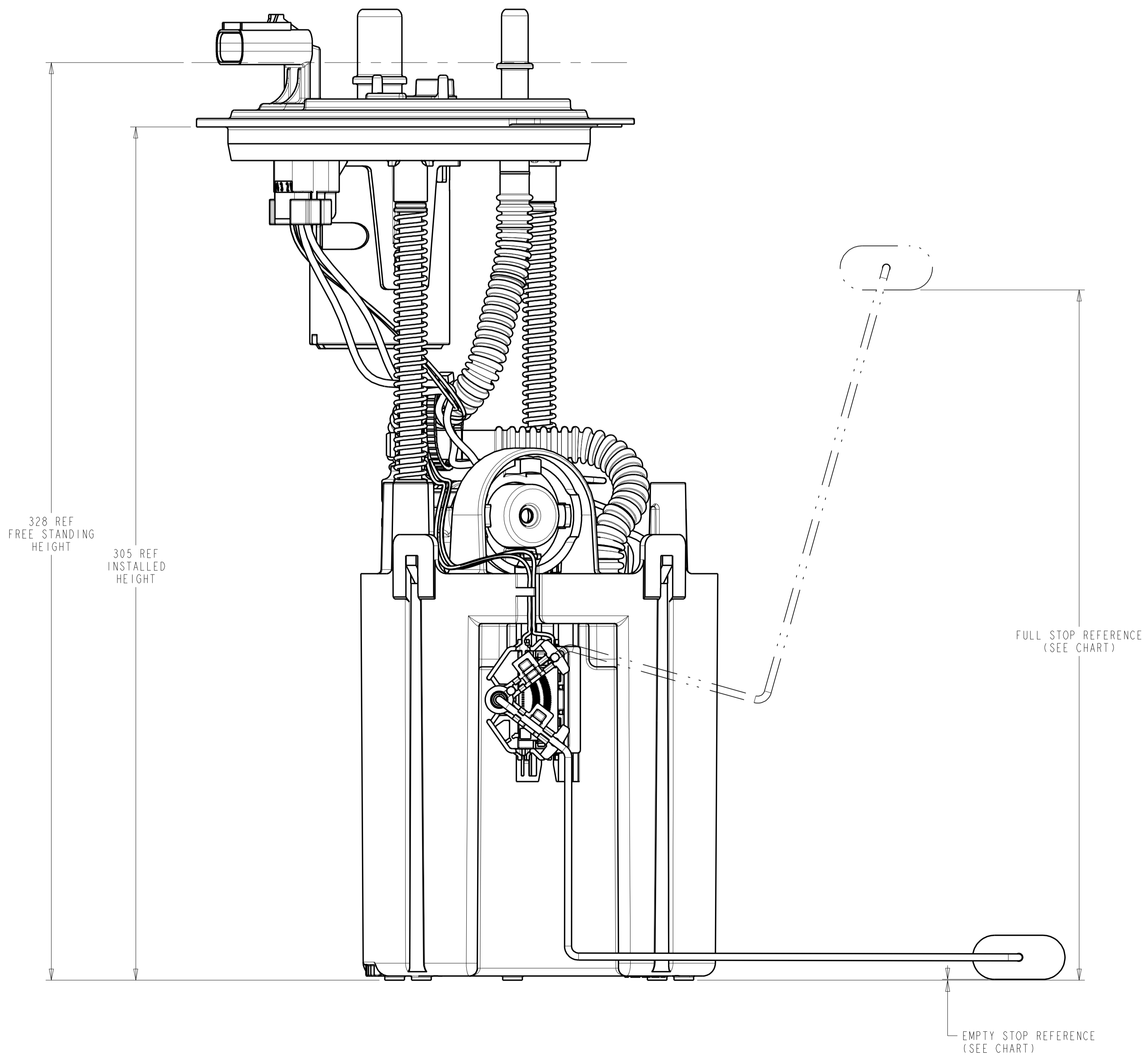


REVISIONS						
ZONE	LTR	DESCRIPTION	CHANGE No	DATE	BY	APPR'D
AA		INITIAL RELEASE	DR51230	08SEP15	RMB	BLM
AB		REMOVE EXTRA GRND WIRE FRM VIEWS	DR55833	13JAN16	RMB	BLM



VIEW IN DIRECTION OF ARROW "X"
E-CONNECTOR PINOUT
SCALE 2:1



LEVEL SENDER UNIT HEIGHT VS RESISTANCE		
FLOAT POSITION	HEIGHT (mm)	RESISTANCE (Ohms)
FULL STOP	246.9 REF	10 ± 2
EMPTY STOP	0.0 REF	180 ± 4

- NOTES:
- CHANGE IN DESIGN, COMPOSITION, LOCATION OR PROCESSING FROM THE PART PREVIOUSLY APPROVED FOR PRODUCTION REQUIRES PRIOR APPROVAL BY TI AUTOMOTIVE.
 - SPECIAL CUSTOMER PACKAGING REQUIREMENTS MAY CALL FOR THE ADDITION OF SPECIFIC LABELS NOT SHOWN ON THIS DRAWING.
 - SHOWN WIRE ROUTING MAY DIFFER FROM FINISHED PRODUCT.
 - MODULE TO BE PACKAGED USING COMPONENTS NOTED ON BOM SO THAT CONTAMINATION FROM FOREIGN MATERIAL IS PREVENTED:
 - PLUG PROTECTORS ON PORTS
 - POLYBAG

METRIC
ALL DIMENSIONS ARE IN MILLIMETERS

DO NOT SCALE

DECIMAL TOLERANCES UNLESS OTHERWISE SPECIFIED
ONE PLACE ±0.25 TWO PLACE ±0.13 ANGLES ±1°

THIRD ANGLE PROJECTION

DIMENSIONS IN ACCORDANCE WITH ASME Y14.5 - 2009

TI Automotive 630 COLUMBIA ST. CARO, MI 48723 +1 989.673.7127

ENGINEER	B. WIDDLETON	DESIGNER	R. BRUBAKER	MATERIAL/SPECIFICATION	N/A
DESIGN MANAGER		DESIGNER	R. BRUBAKER		
DESIGNER	R. BRUBAKER	DESIGNER	R. BRUBAKER		

CAD SYSTEM: PROVE SCALE: 1:1 SHEET NO. 1 OF 1

REFERENCE TYPICAL: P/W REFERENCE ONLY: 2D: AR003955T/AB P/W REFERENCE ONLY: 3D: AR003955S/AB

DATE: 10/13/15 DRAWING NUMBER: TU295HP

FUEL MODULE ASME(AFTMKT F150 09-14 EXT RANGE

TI AUTOMOTIVE CONFIDENTIAL: THIS DRAWING IS PROPERTY OF TI AUTOMOTIVE. ALL RIGHTS ARE RESERVED. NO PART OF THIS DRAWING IS TO BE REPRODUCED OR TRANSMITTED IN ANY FORM OR BY ANY MEANS, ELECTRONIC OR MECHANICAL, INCLUDING PHOTOCOPYING, RECORDING, OR BY ANY INFORMATION STORAGE AND RETRIEVAL SYSTEM. THIS DRAWING IS PROVIDED FOR YOUR INFORMATION ONLY AND IS NOT TO BE USED FOR PRODUCTION. THE USER SHALL BE RESPONSIBLE FOR THE PROTECTION OF THIS DRAWING FROM UNAUTHORIZED DISCLOSURE. THE USER SHALL BE RESPONSIBLE FOR THE PROTECTION OF THIS DRAWING FROM UNAUTHORIZED DISCLOSURE. THE USER SHALL BE RESPONSIBLE FOR THE PROTECTION OF THIS DRAWING FROM UNAUTHORIZED DISCLOSURE.