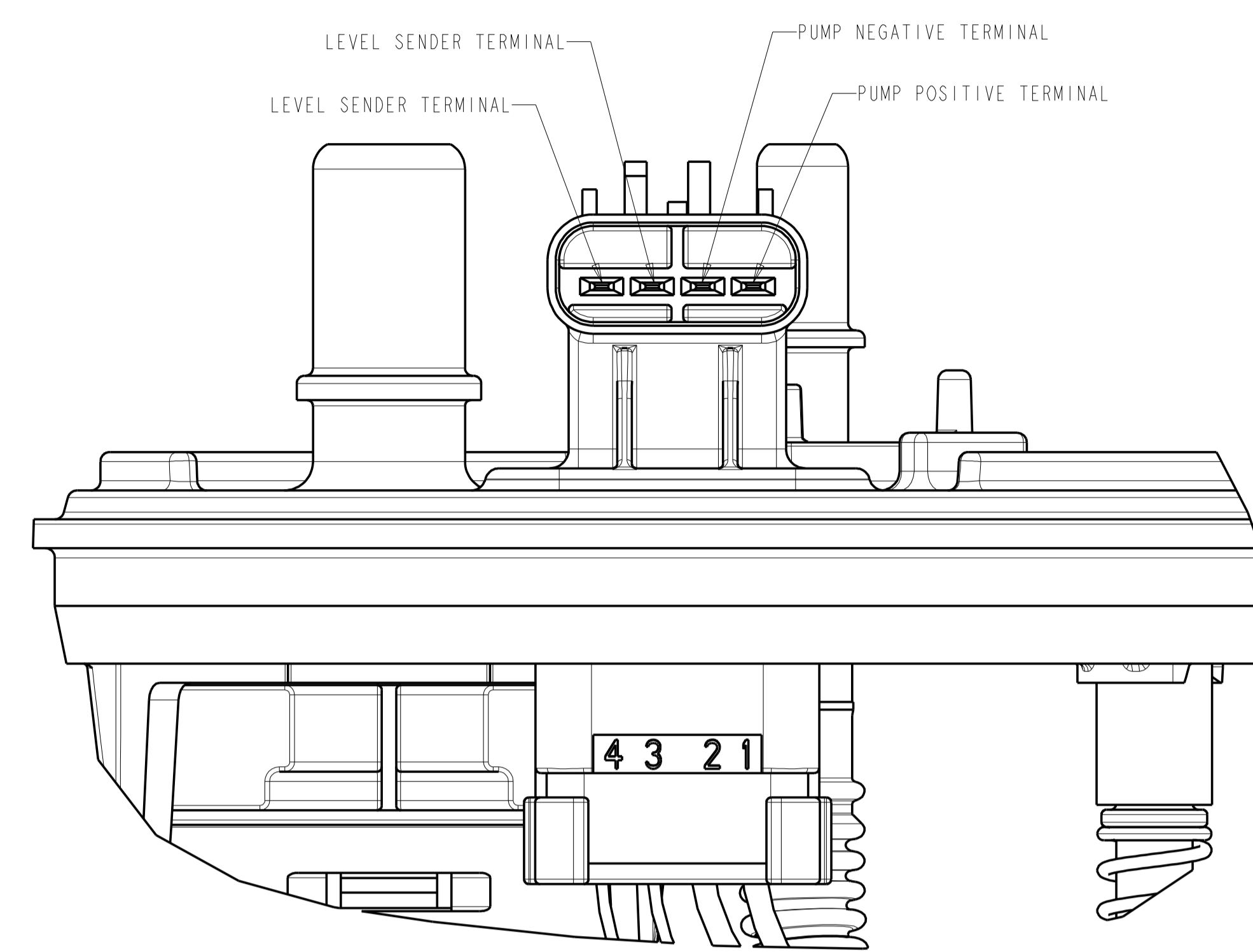
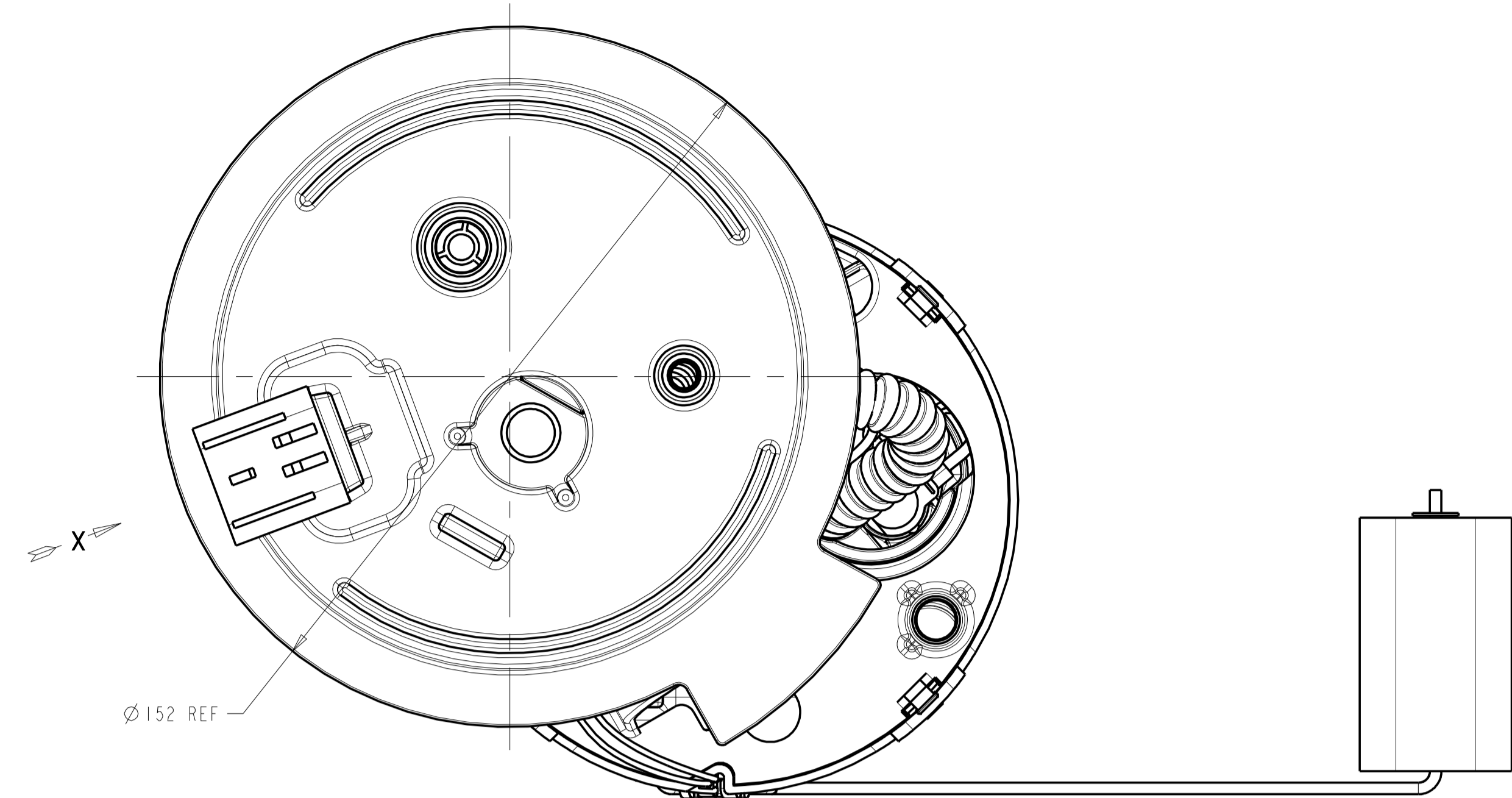
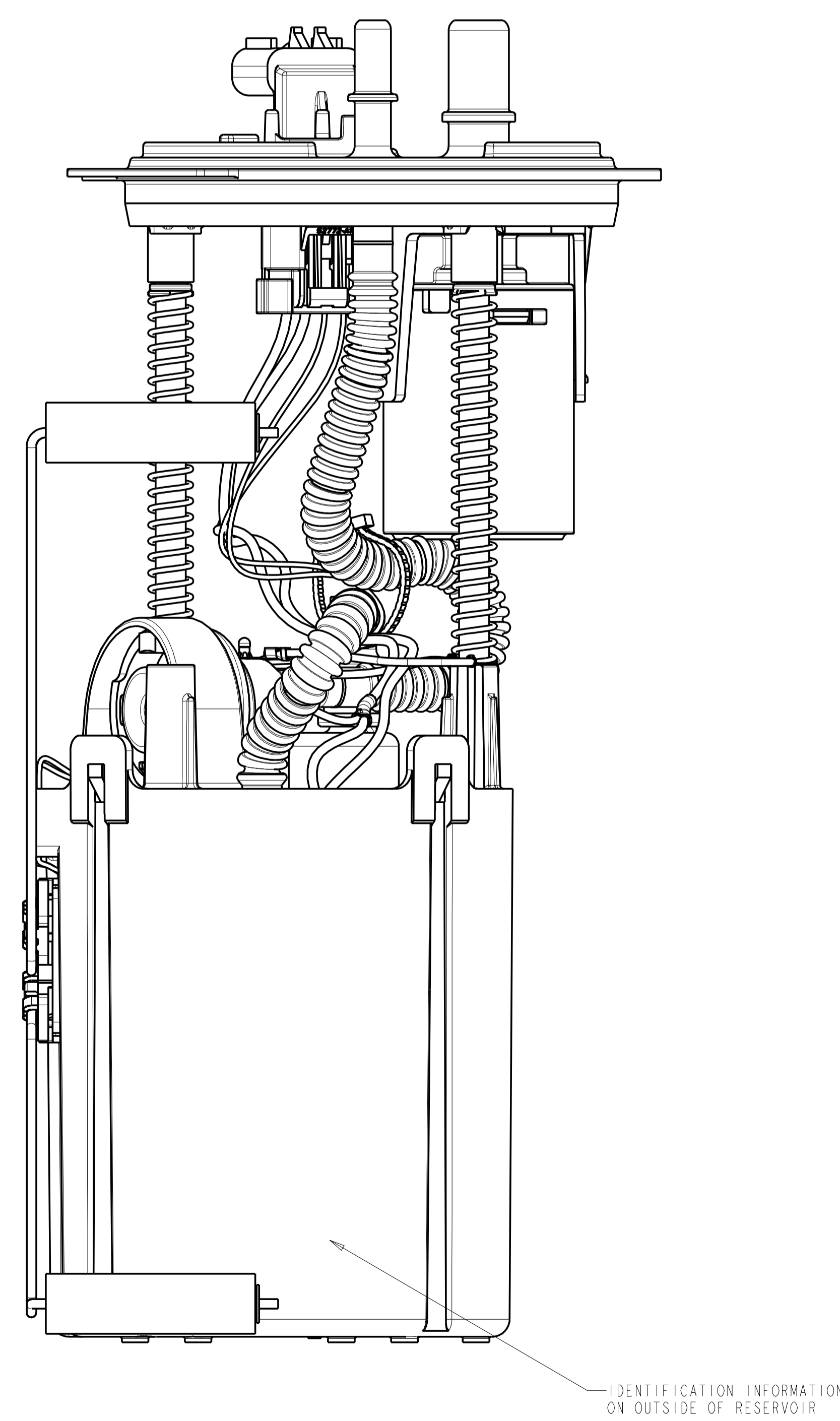
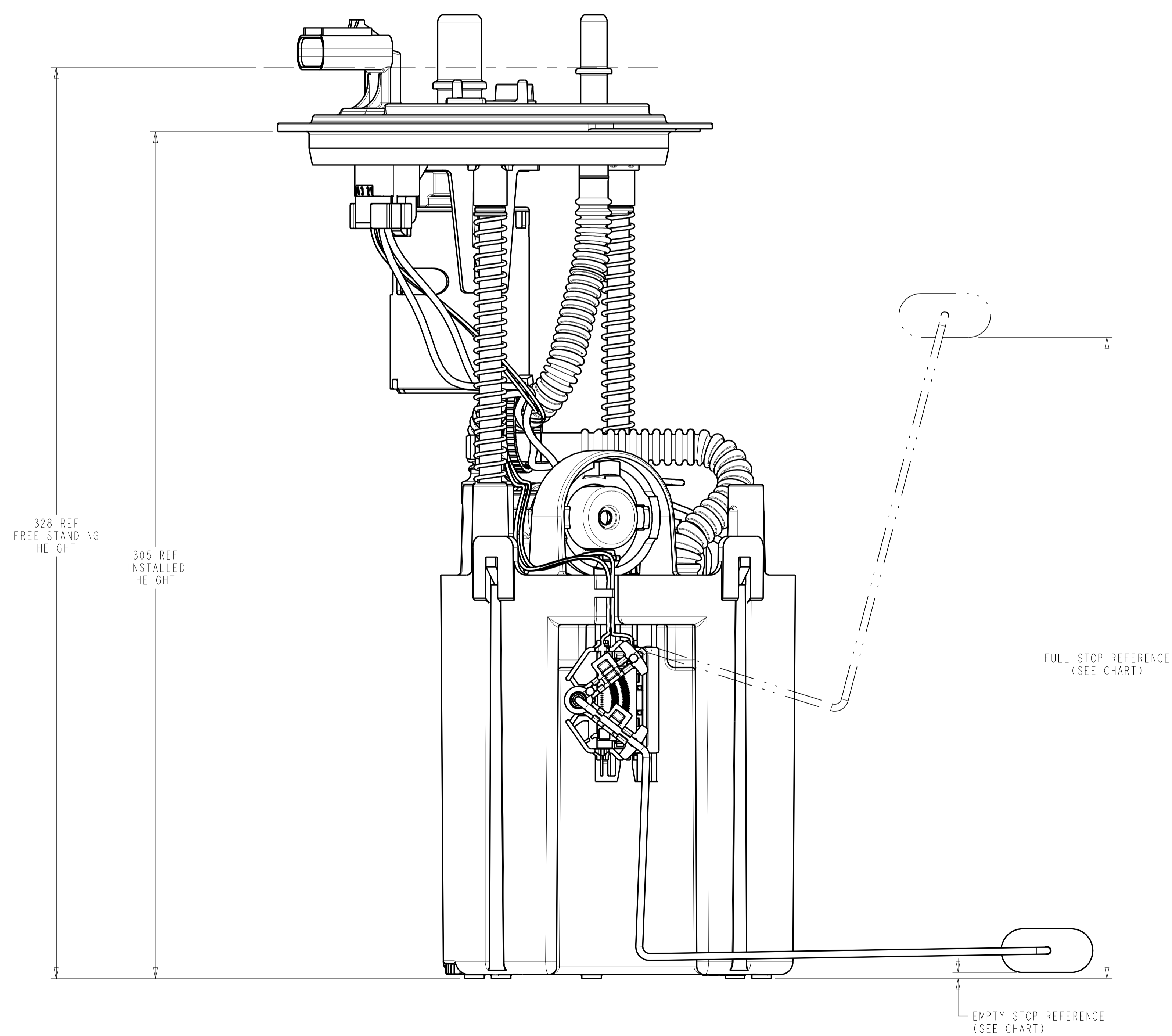


REVISIONS						
ZONE	LTR	DESCRIPTION	CHANGE No	DATE	BY	APPR'D
AA		INITIAL RELEASE	DR51228	08SEP15	RMB	BLM
AB		REMOVE EXTRA GRND WIRE FRM VIEWS	DR55833	12JAN16	RMB	BLM



VIEW IN DIRECTION
OF ARROW "X"
E-CONNECTOR PINOUT
SCALE 2:1



LEVEL SENDER UNIT HEIGHT VS RESISTANCE		
FLOAT POSITION	HEIGHT (mm)	RESISTANCE (Ohms)
FULL STOP	231.0 REF	10 ± 2
EMPTY STOP	2.0 REF	180 ± 4

NOTES:

- CHANGE IN DESIGN, COMPOSITION, LOCATION OR PROCESSING FROM THE PART PREVIOUSLY APPROVED FOR PRODUCTION REQUIRES PRIOR APPROVAL BY TI AUTOMOTIVE.
- SPECIAL CUSTOMER PACKAGING REQUIREMENTS MAY CALL FOR THE ADDITION OF SPECIFIC LABELS NOT SHOWN ON THIS DRAWING.
- SHOWN WIRE ROUTING MAY DIFFER FROM FINISHED PRODUCT.
- MODULE TO BE PACKAGED USING COMPONENTS NOTED ON BOM SO THAT CONTAMINATION FROM FOREIGN MATERIAL IS PREVENTED:
 - PLUG PROTECTORS ON PORTS
 - POLYBAG

□ DENOTES SAFETY CHARACTERISTIC
 ◊ DENOTES SIGNIFICANT CHARACTERISTIC
 ◊ DENOTES HIGH IMPACT CHARACTERISTIC
 □ DENOTES AUTOMOTIVE COMPLIANCE
 THIS DRAWING IS PROPERTY OF TI AUTOMOTIVE. ALL RIGHTS ARE RESERVED. NO PARTS MAY BE REPRODUCED OR TRANSMITTED IN ANY FORM OR BY ANY MEANS, ELECTRONIC OR MECHANICAL, INCLUDING PHOTOCOPYING, RECORDING, OR BY ANY INFORMATION STORAGE AND RETRIEVAL SYSTEM. THIS DRAWING IS PROVIDED FOR INFORMATION ONLY AND IS NOT TO BE USED FOR PRODUCTION. THE USER SHALL BE RESPONSIBLE FOR OBTAINING THE NECESSARY PERMISSIONS FROM TI AUTOMOTIVE TO REPRODUCE OR TRANSMIT THIS DRAWING. TI AUTOMOTIVE ASSUMES NO LIABILITY FOR THE PRODUCTION OF THIS DRAWING OR FOR THE RESULTS OF ANY REPRODUCTION OF THIS DRAWING.

METRIC
ALL DIMENSIONS ARE IN MILLIMETERS

DO NOT SCALE
DECIMAL TOLERANCES UNLESS OTHERWISE SPECIFIED
ONE PLACE = 0.25 TWO PLACE = 0.13 ANGLES = 1°

THIRD ANGLE PROJECTION
DIMENSIONS IN ACCORDANCE WITH ASME Y14.5 - 2009

TI Automotive
630 COLUMBIA ST.
CARO, MI 48123
+1 989.673.7127

ENGINEER	B. WIDDLETON	DESIGNER	R. BRUBAKER	MATERIAL SPECIFICATION	N/A
DES. MANAGER		DESIGNER	R. BRUBAKER		
CAD SYSTEM: PROVE	SCALE: 1:1	SHEET NO. 1 OF 1			
REFERENCE TYPICAL:		FOR REFERENCE ONLY:			
000113882/AA		2D: AR0039349/AB			
		3D: AR0039348/AB			
DRAWING NAME:	FUEL MODULE ASME(AFTMKT F150 09-14 EXT RANGE				
DATE:	AD	DRAWING NUMBER:	TU293HP		