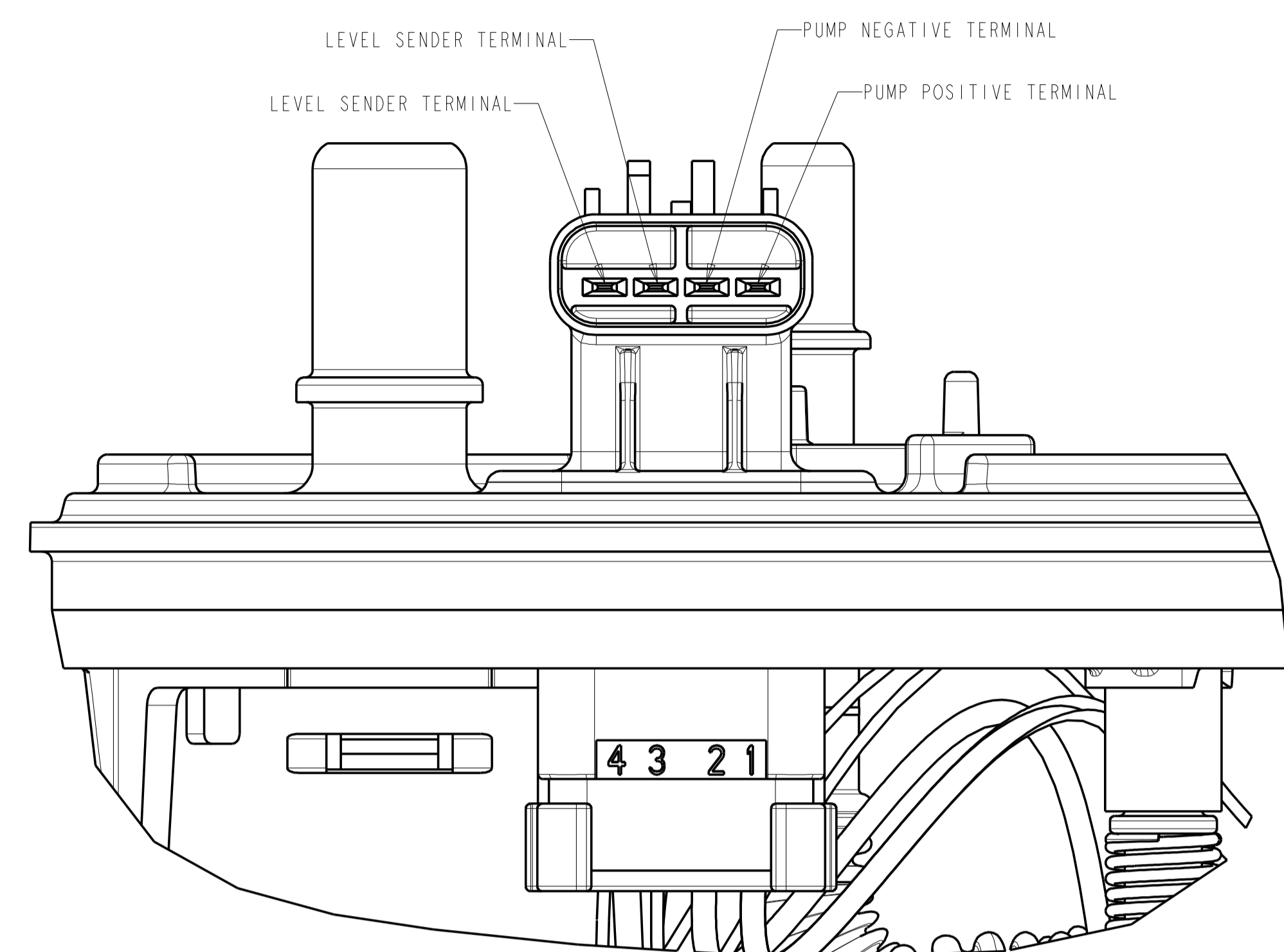
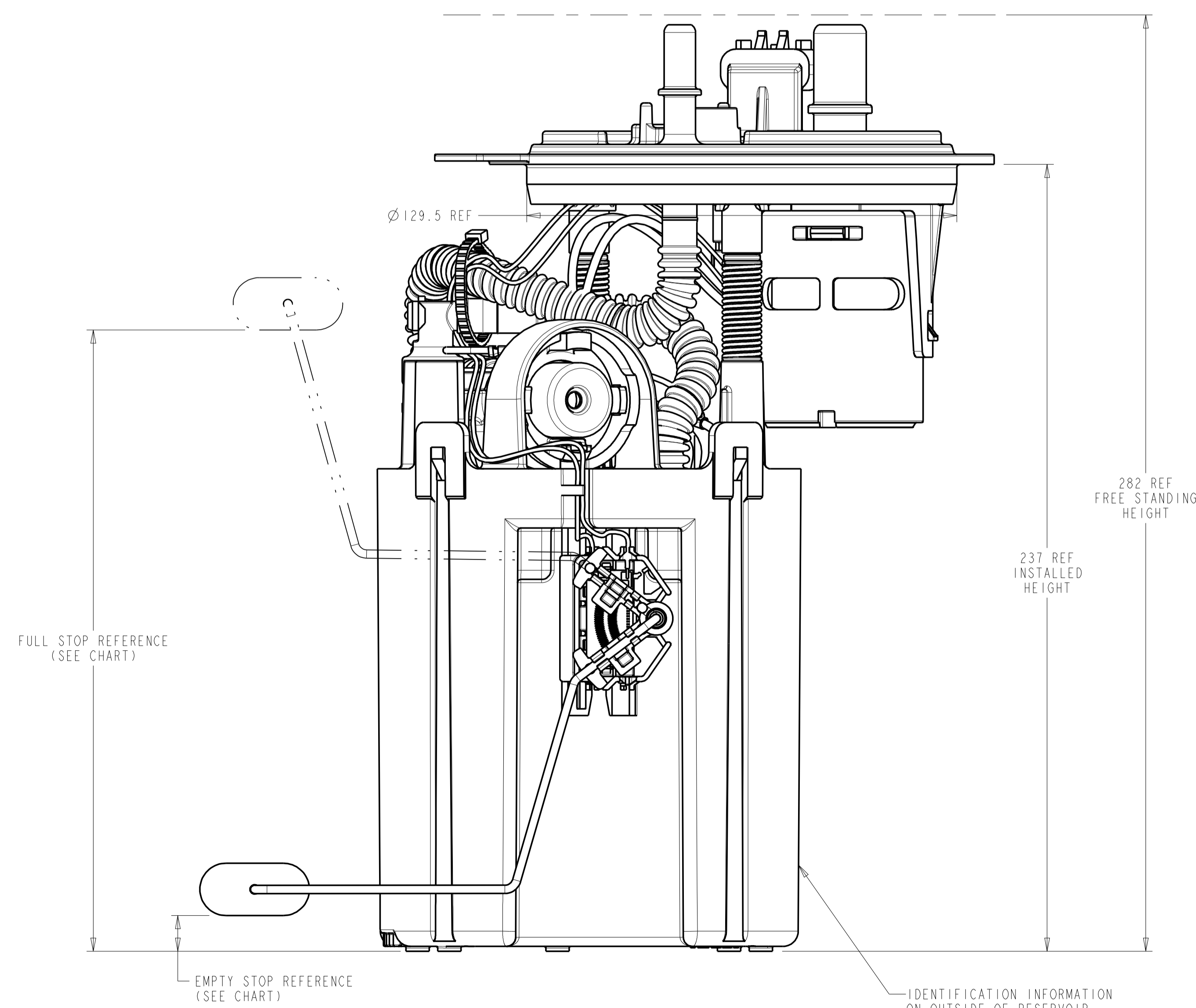
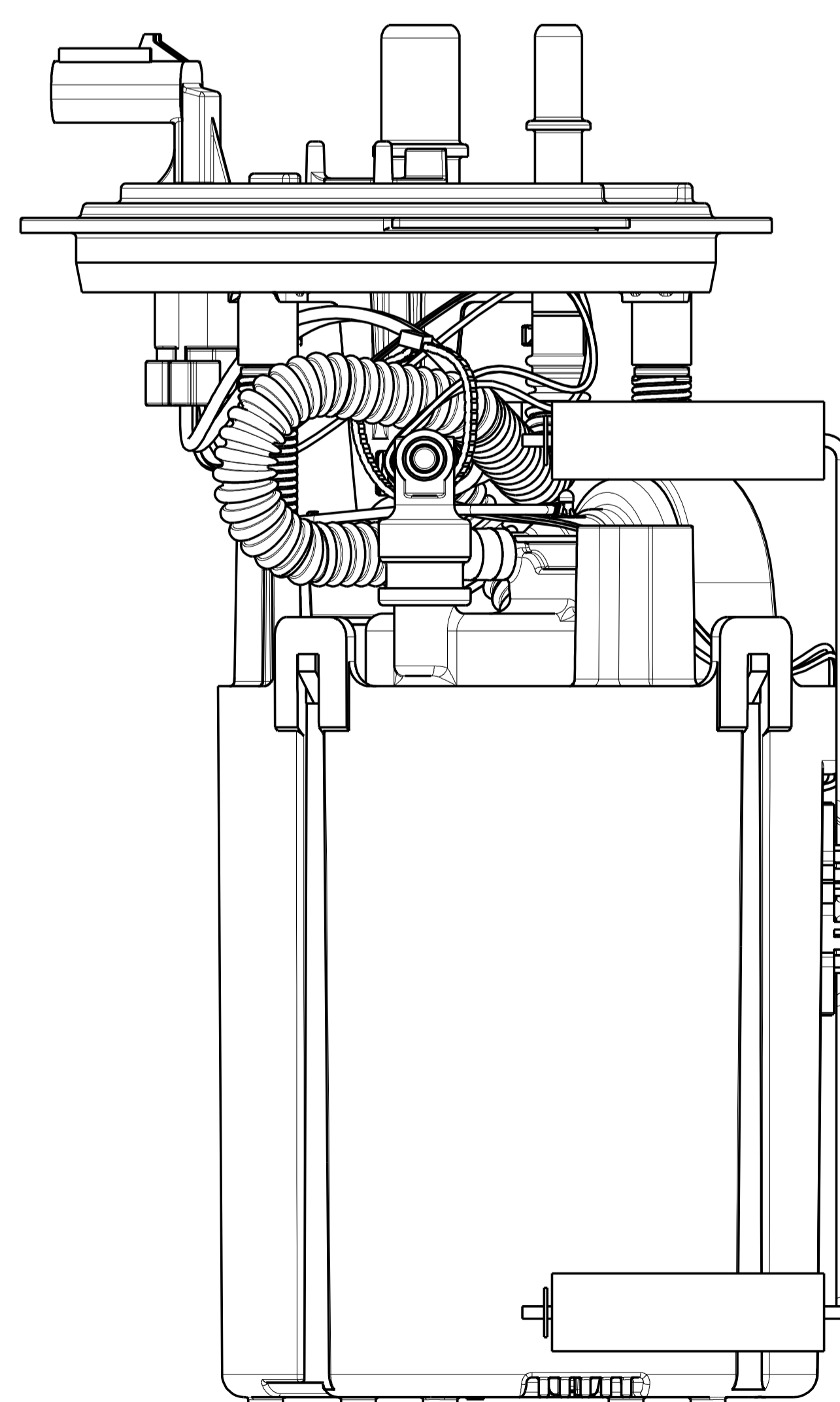
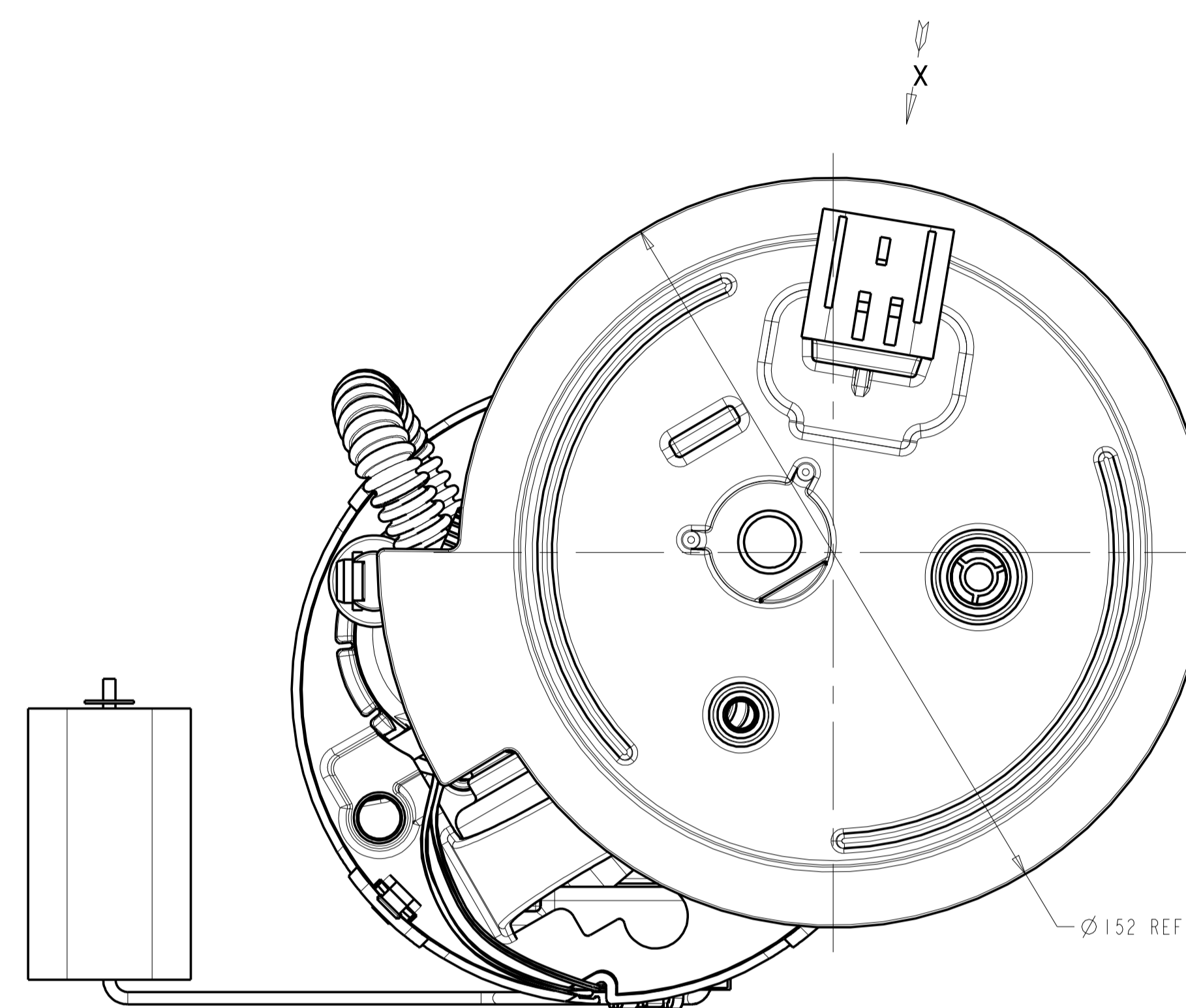


REVISIONS						
ZONE	LTR	DESCRIPTION	CHANGE No	DATE	BY	APPR'D
AA		INITIAL RELEASE	DR51227	08SEP15	RMB	BLM
AB		REMOVE EXTRA GRND WIRE FRM VIEWS	DR55833	12JAN16	RMB	BLM



VIEW IN DIRECTION
OF ARROW "X"
E-CONNECTOR PINOUT
SCALE 2:1



LEVEL SENDER UNIT HEIGHT VS RESISTANCE		
FLOAT POSITION	HEIGHT (mm)	RESISTANCE (Ohms)
FULL STOP	187.3 REF	10 ± 2
EMPTY STOP	10.5 REF	180 ± 4

NOTES:

- CHANGE IN DESIGN, COMPOSITION, LOCATION OR PROCESSING FROM THE PART PREVIOUSLY APPROVED FOR PRODUCTION REQUIRES PRIOR APPROVAL BY TI AUTOMOTIVE.
- SPECIAL CUSTOMER PACKAGING REQUIREMENTS MAY CALL FOR THE ADDITION OF SPECIFIC LABELS NOT SHOWN ON THIS DRAWING.
- SHOWN WIRE ROUTING MAY DIFFER FROM FINISHED PRODUCT.
- MODULE TO BE PACKAGED USING COMPONENTS NOTED ON BOM SO THAT CONTAMINATION FROM FOREIGN MATERIAL IS PREVENTED:
 - PLUG PROTECTORS ON PORTS
 - POLYBAG

▽ DENOTES SAFETY CHARACTERISTIC
 ◊ DENOTES SIGNIFICANT CHARACTERISTIC
 ◊ DENOTES HIGH IMPACT CHARACTERISTIC
 ▽ DENOTES AUTOMOTIVE COMPLIANCE
 THIS DRAWING IS PROPERTY OF TI AUTOMOTIVE. ALL RIGHTS ARE RESERVED. NO PART OF THIS DRAWING IS TO BE REPRODUCED OR TRANSMITTED IN ANY FORM OR BY ANY MEANS, ELECTRONIC OR MECHANICAL, INCLUDING PHOTOCOPYING, RECORDING, OR BY ANY INFORMATION STORAGE AND RETRIEVAL SYSTEM. THIS DRAWING IS PROVIDED FOR YOUR INFORMATION ONLY AND IS NOT TO BE USED FOR ANY OTHER PURPOSE. ANY REUSE OF THIS DRAWING WITHOUT THE EXPRESS WRITTEN PERMISSION OF TI AUTOMOTIVE IS STRICTLY PROHIBITED. TI AUTOMOTIVE ASSUMES NO LIABILITY FOR ANY DAMAGE OR LOSS OF PROFITS OR BUSINESS ARISING FROM THE USE OF THIS DRAWING. TI AUTOMOTIVE ASSUMES NO LIABILITY FOR ANY DAMAGE OR LOSS OF PROFITS OR BUSINESS ARISING FROM THE USE OF THIS DRAWING. TI AUTOMOTIVE ASSUMES NO LIABILITY FOR ANY DAMAGE OR LOSS OF PROFITS OR BUSINESS ARISING FROM THE USE OF THIS DRAWING.

METRIC
 ALL DIMENSIONS ARE IN MILLIMETERS
 DO NOT SCALE
 DECIMAL TOLERANCES UNLESS OTHERWISE SPECIFIED
 ONE PLACE = ±0.25 TWO PLACE = ±0.13 ANGLES = 1°
 THIRD ANGLE PROJECTION
 DIMENSIONS IN ACCORDANCE WITH ASME Y14.5 - 2009
TI Automotive 630 COLUMBIA ST. CARO, MI 48723 +1 989.673.7127
 ENGINEER: B.WIDDLETON 03MAR15 MATERIAL SPECIFICATION: N/A
 DES. MANAGER: R.BRUBAKER 03MAR15
 DESIGNER: R.BRUBAKER 03MAR15
 CAD SYSTEM: PROVE SCALE: 1:1 SHEET NO. 1 OF 1
 REFERENCE TITLES: P/W REFERENCE ONLY: 2D: AR0039551/AB
 REFERENCE DRAWING: P/W REFERENCE ONLY: 3D: AR0039549/AB
 DRAWING NAME: FUEL MODULE ASMI(AFTMKT) EXPED 10-14 EXT RANGE
 TITLE: AD DRAWING NUMBER: TU292HP