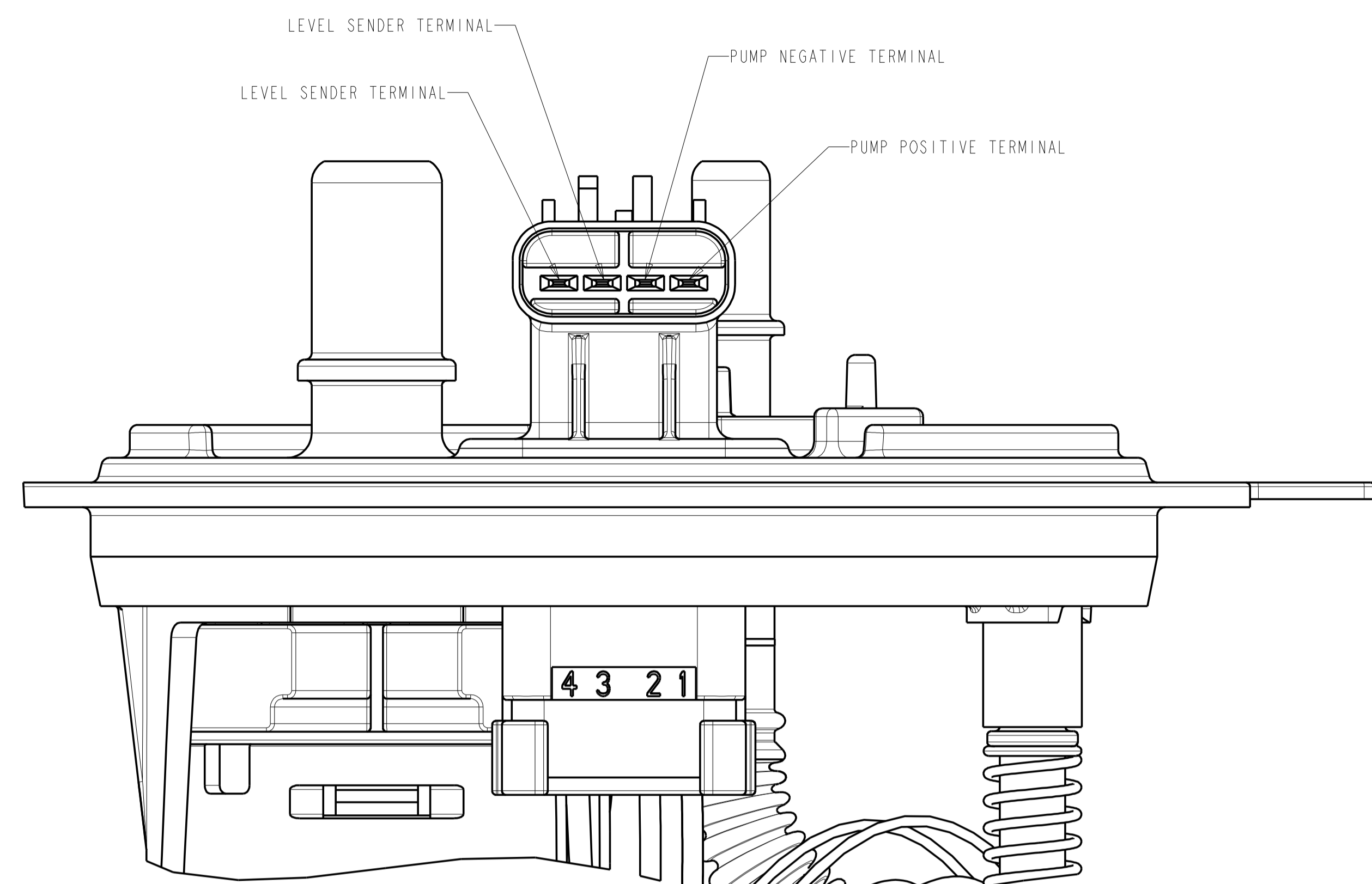
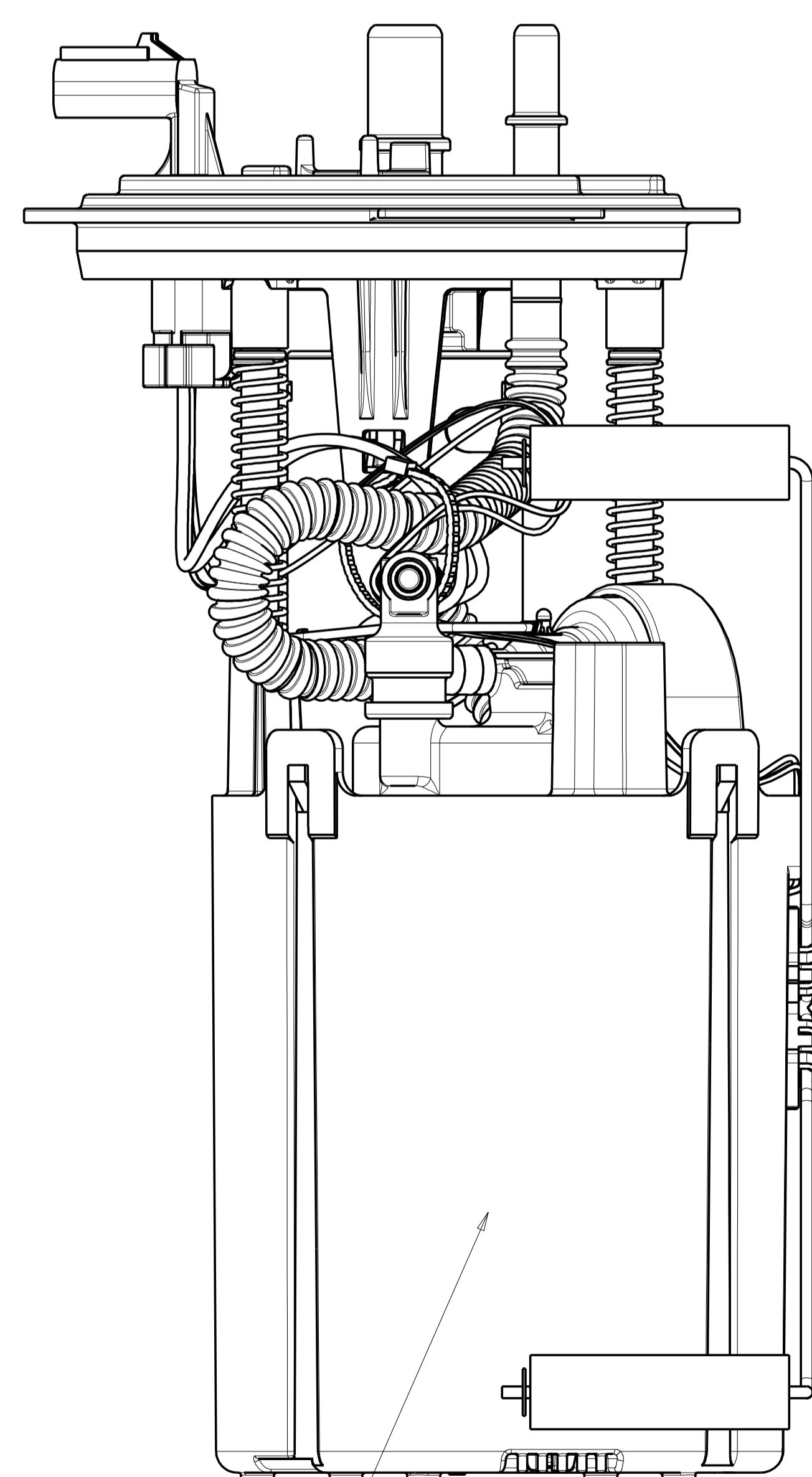
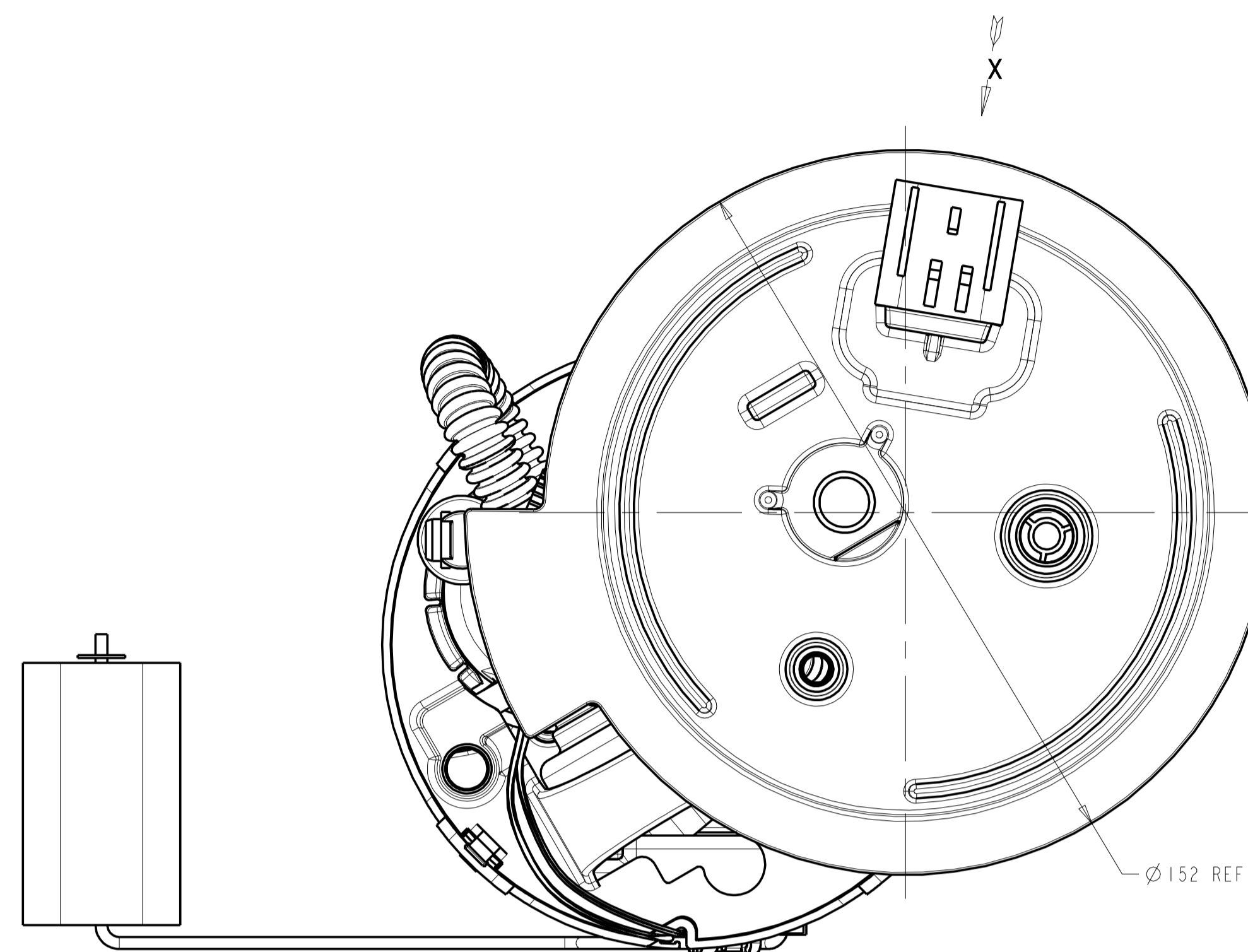


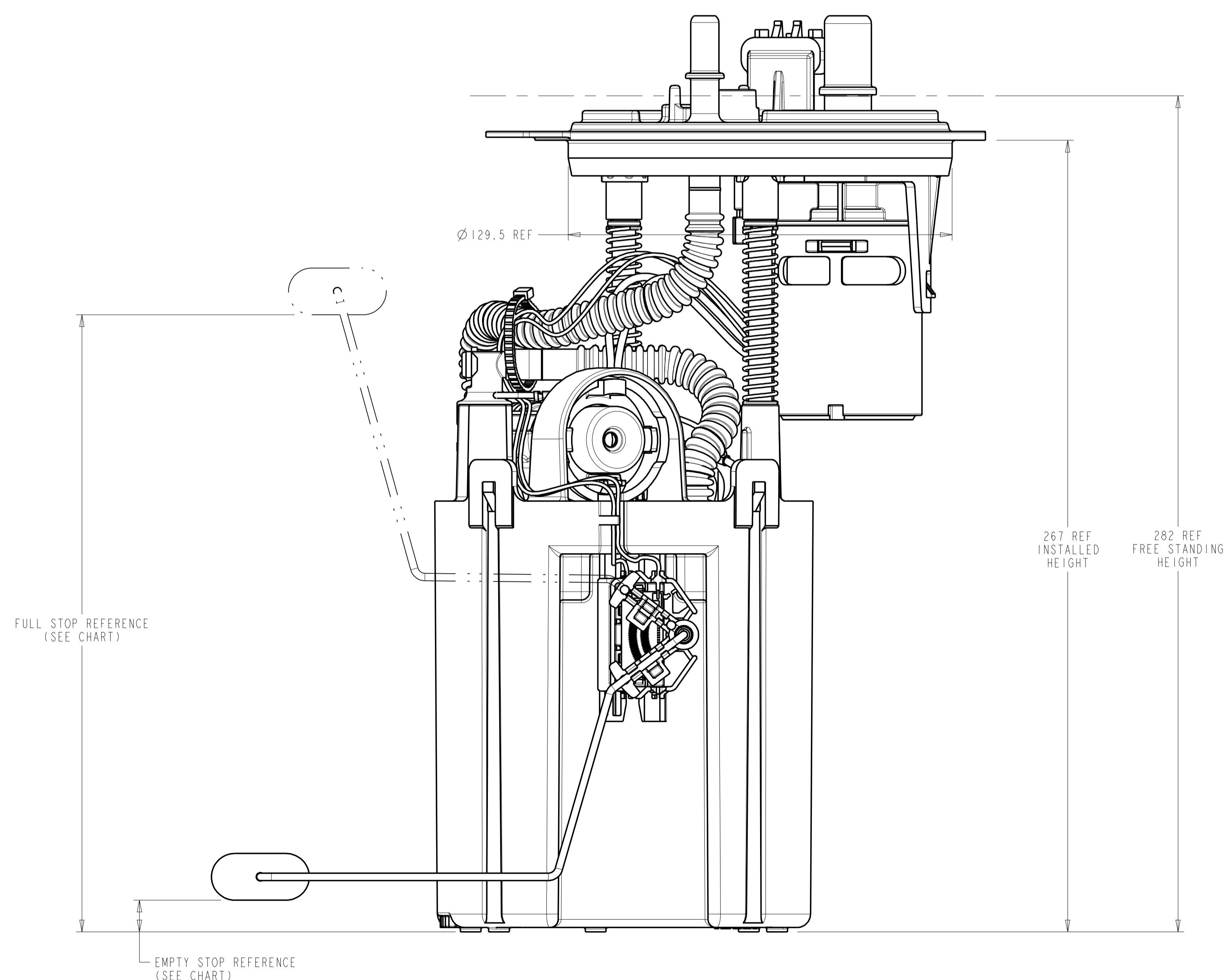
REVISIONS						
ZONE	LTR	DESCRIPTION	CHANGE No	DATE	BY	APPR'D
AA		INITIAL RELEASE	DR51226	08SEP15	RMB	BLM
AB		REMOVE EXTRA GRND WIRE FRM VIEWS	DR55833	12JAN16	RMB	BLM



VIEW IN DIRECTION  
OF ARROW "X"  
E-CONNECTOR PINOUT  
SCALE 2:1



IDENTIFICATION INFORMATION  
ON OUTSIDE OF RESERVOIR



LEVEL SENDER UNIT HEIGHT VS RESISTANCE		
FLOAT POSITION	HEIGHT (mm)	RESISTANCE (Ohms)
FULL STOP	208.3 REF	10 ± 2
EMPTY STOP	10.5 REF	180 ± 4

NOTES:

- CHANGE IN DESIGN, COMPOSITION, LOCATION OR PROCESSING FROM THE PART PREVIOUSLY APPROVED FOR PRODUCTION REQUIRES PRIOR APPROVAL BY TI AUTOMOTIVE.
- SPECIAL CUSTOMER PACKAGING REQUIREMENTS MAY CALL FOR THE ADDITION OF SPECIFIC LABELS NOT SHOWN ON THIS DRAWING.
- SHOWN WIRE ROUTING MAY DIFFER FROM FINISHED PRODUCT.
- MODULE TO BE PACKAGED USING COMPONENTS NOTED ON BOM SO THAT CONTAMINATION FROM FOREIGN MATERIAL IS PREVENTED:
  - PLUG PROTECTORS ON PORTS
  - POLYBAG

▽ DENOTES SOFTEN CHARACTERISTIC  
◊ DENOTES SIGNIFICANT CHARACTERISTIC  
◊ DENOTES HIGH IMPACT CHARACTERISTIC

TI AUTOMOTIVE CONFIDENTIAL: THIS DRAWING IS PROPERTY OF TI AUTOMOTIVE. ALL RIGHTS ARE RESERVED. NO PARTS OR INFORMATION FROM THIS DRAWING IS TO BE RELEASED TO ANY OTHER PARTY WITHOUT THE WRITTEN PERMISSION OF TI AUTOMOTIVE. THIS DRAWING IS PROVIDED FOR INFORMATION ONLY AND IS NOT TO BE USED FOR PRODUCTION. ANY CHANGES TO THIS DRAWING MUST BE APPROVED BY TI AUTOMOTIVE. ANY CHANGES TO THIS DRAWING MUST BE APPROVED BY TI AUTOMOTIVE. ANY CHANGES TO THIS DRAWING MUST BE APPROVED BY TI AUTOMOTIVE.

METRIC  
ALL DIMENSIONS ARE IN MILLIMETERS

DO NOT SCALE

DECIMAL TOLERANCES UNLESS OTHERWISE SPECIFIED  
ONE PLACE = 0.25 TWO PLACE = 0.13 ANGLES = 1°

THIRD ANGLE PROJECTION

DIMENSIONS IN ACCORDANCE WITH ASME Y14.5 - 2009

**TI Automotive** 630 COLUMBIA ST. CARO, MI 48723 +1 989.673.7127

ENGINEER	B. WIDDLETON	Q3MARIS	MATERIAL SPECIFICATION
DES. MANAGER			N/A
DESIGNER	R. BRUBAKER	Q3MARIS	

CAD SYSTEM: PROVE SCALE: 1:1 SHEET NO. 1 OF 1

REFERENCE TITLES: P/W REFERENCE KEY: 2D: AR0039543/AB  
D00113880/AA P/W REFERENCE KEY: 3D: AR0039541/AB

DATE: 12/15/16 DRAWING NUMBER: TU290HP