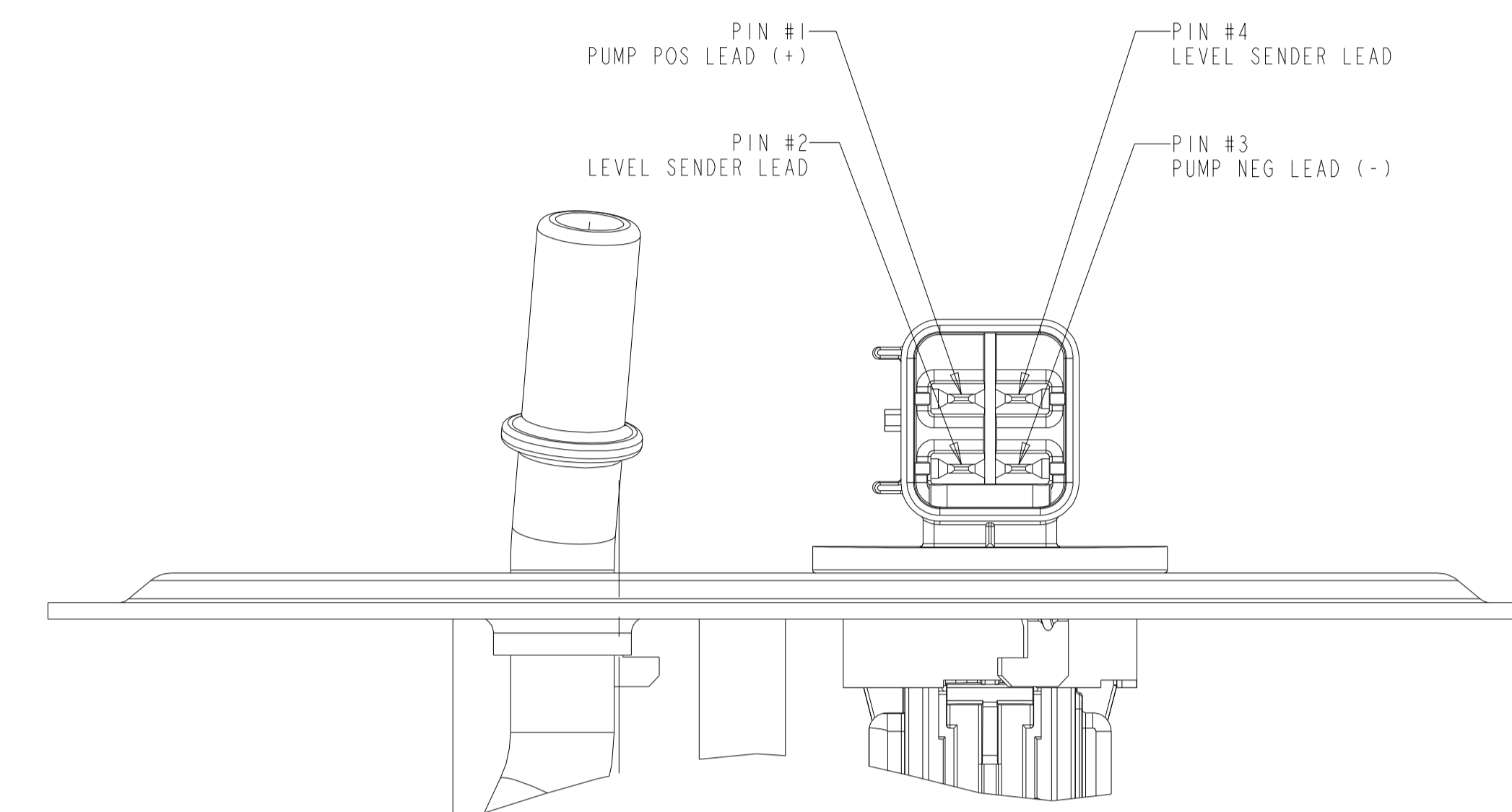
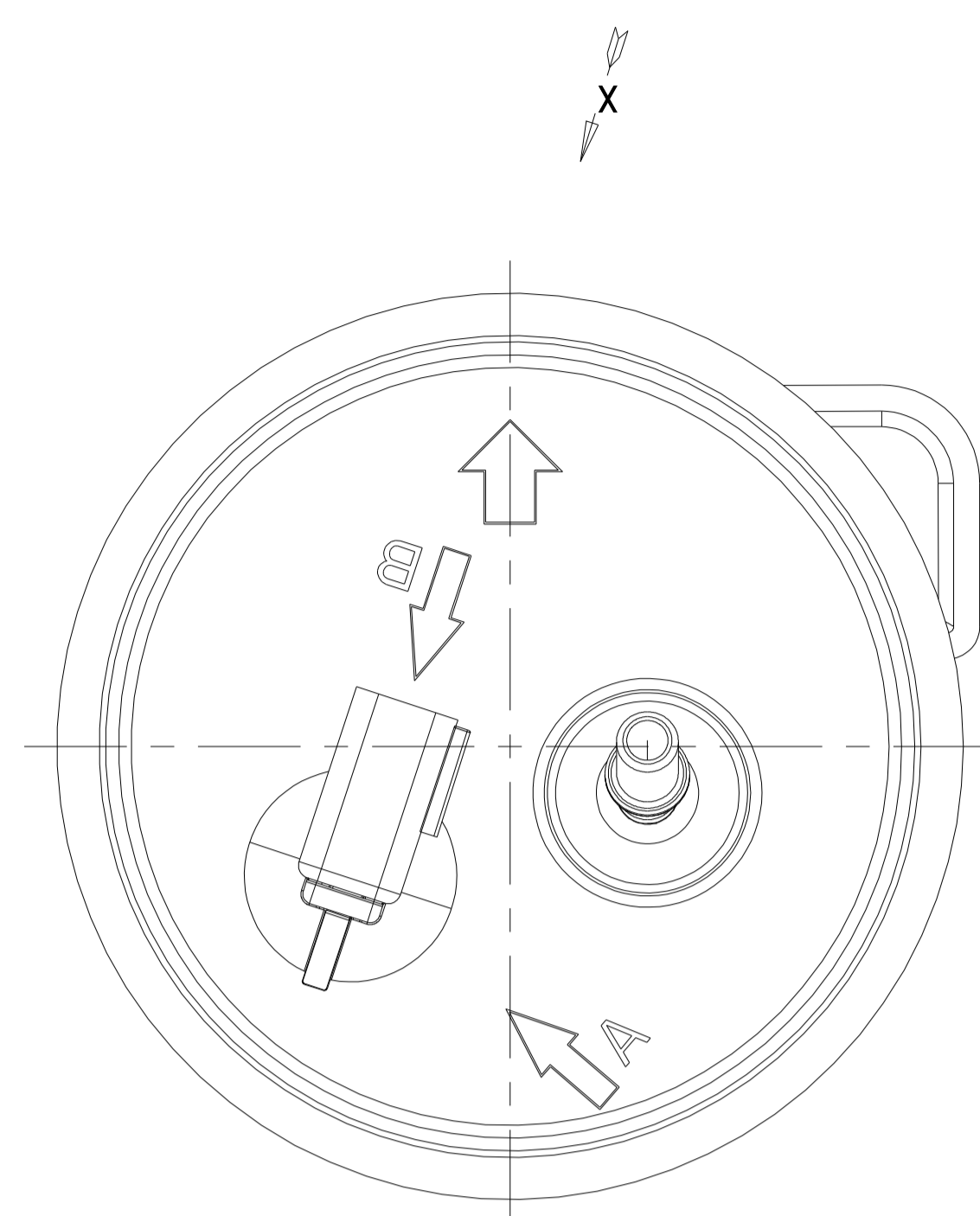
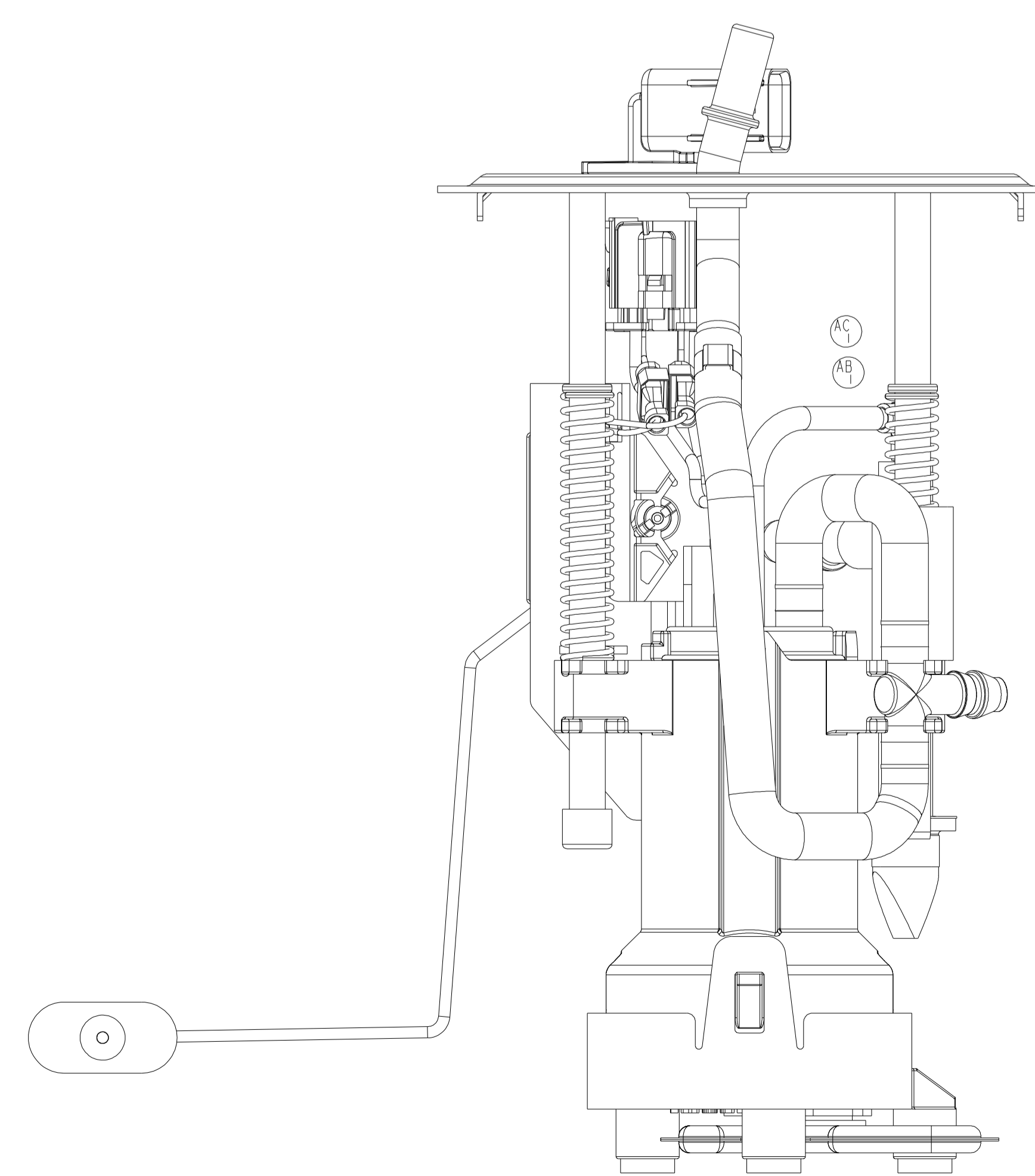
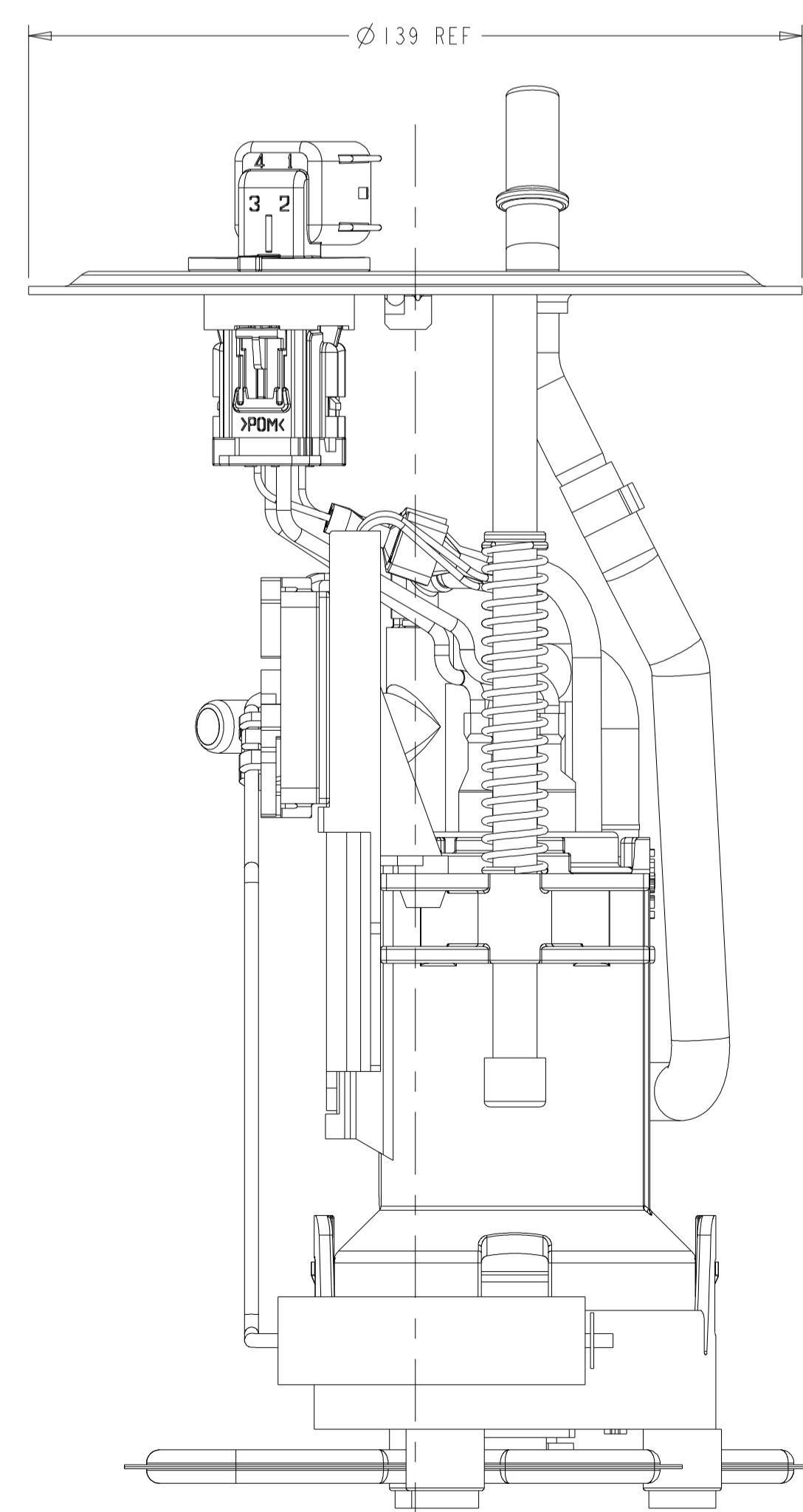
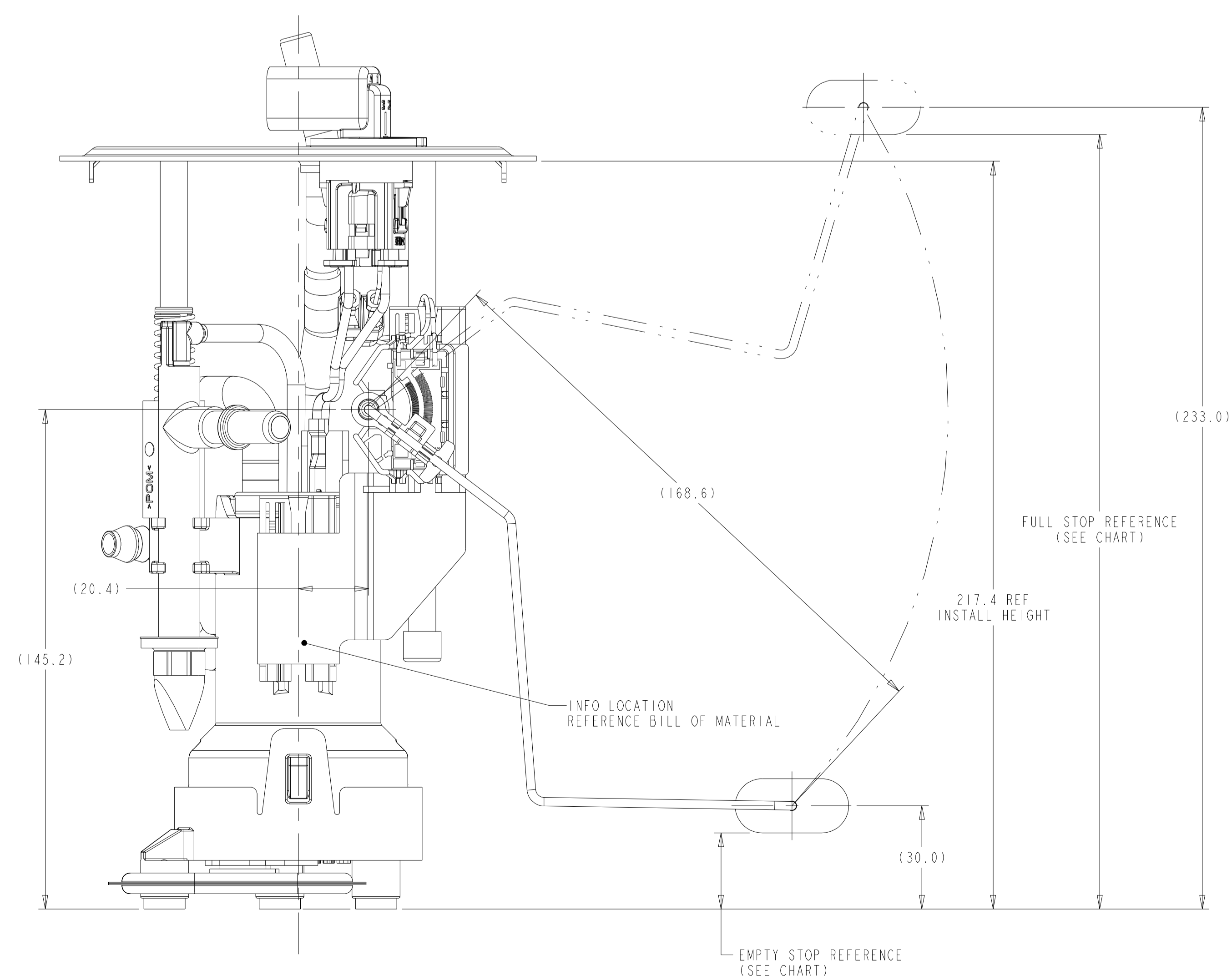


REVISIONS							
ZONE	LTR	DESCRIPTION	CHANGE No	DATE	BY	APPR'D	
	AA	RELEASED FOR PRODUCTION	C-1839	19DEC12	WDE	BLM	
6-D	AB	AB1 000105618 REVISED TO INCLUDE GROUND LEAD	DR42430	20MAY13	WDE	BLM	
6-D	AC	AC1 REMOVED GROUND WIRE	78220	11APR17	SLK	BLM	



E-CONNECTOR PIN OUT DETAIL
PARTIAL VIEW IN DIRECTION OF ARROW "X"
SCALE 2:1



- NOTES:
- SPECIAL CUSTOMER PACKAGING REQUIREMENTS MAY CALL FOR THE ADDITION OF SPECIFIC LABELS NOT SHOWN ON THIS DRAWING.
 - MODULE TO BE PACKAGED USING COMPONENTS NOTED ON BOM SO THAT CONTAMINATION FROM FOREIGN MATERIAL IS PREVENTED:
 - PLUG PROTECTORS ON PORTS
 - POLY BAG
 - SHOWN WIRE ROUTING MAY DIFFER FROM FINISHED PRODUCT.

LEVEL SENDER UNIT HEIGHT VS RESISTANCE		
FLOAT POSITION	HEIGHT (mm)	RESISTANCE (Ohms)
FULL STOP	225.17	10 ± 2
EMPTY STOP	22.1	180 ± 4

METRIC
ALL DIMENSIONS ARE IN MILLIMETERS
DO NOT SCALE
DECIMAL TOLERANCES UNLESS OTHERWISE SPECIFIED
ONE PLACE ±0.25 TWO PLACE ±0.13 ANGLES ±1°
THIRD ANGLE PROJECTION
DIMENSIONS IN ACCORDANCE WITH ASME Y14.5 - 2009

TI Automotive
630 COLUMBIA ST.
CARO, MI 48723
1 989.673.7727

ENGINEER: B.WIDDLETON 19DEC12 MATERIAL SPECIFICATION: N/A
DESIGNER: M.ERBACHER 19DEC12
CAD SYSTEM: PROE SCALE: 1:1 SHEET NO. 1 OF 1
REFERENCE FRAME: AR003335/AC
REFERENCE FRAME: AR003333/AC
DRAWING NAME: FUEL MODULE OUTLINE
TITLE: A0 DRAWING NUMBER: TU289HP

KEY PRODUCT CHARACTERISTICS	
REFER TO TI AUTOMOTIVE GLOBAL ADVANCED QUALITY PROGRAM DOCUMENT # TISS-001-001 FOR THE CLASSIFICATION AND CONTROL OF KEY PRODUCT CHARACTERISTICS	SPIN
SAFETY CHARACTERISTIC	CRITICAL CHARACTERISTIC
HIGH IMPACT CHARACTERISTIC	