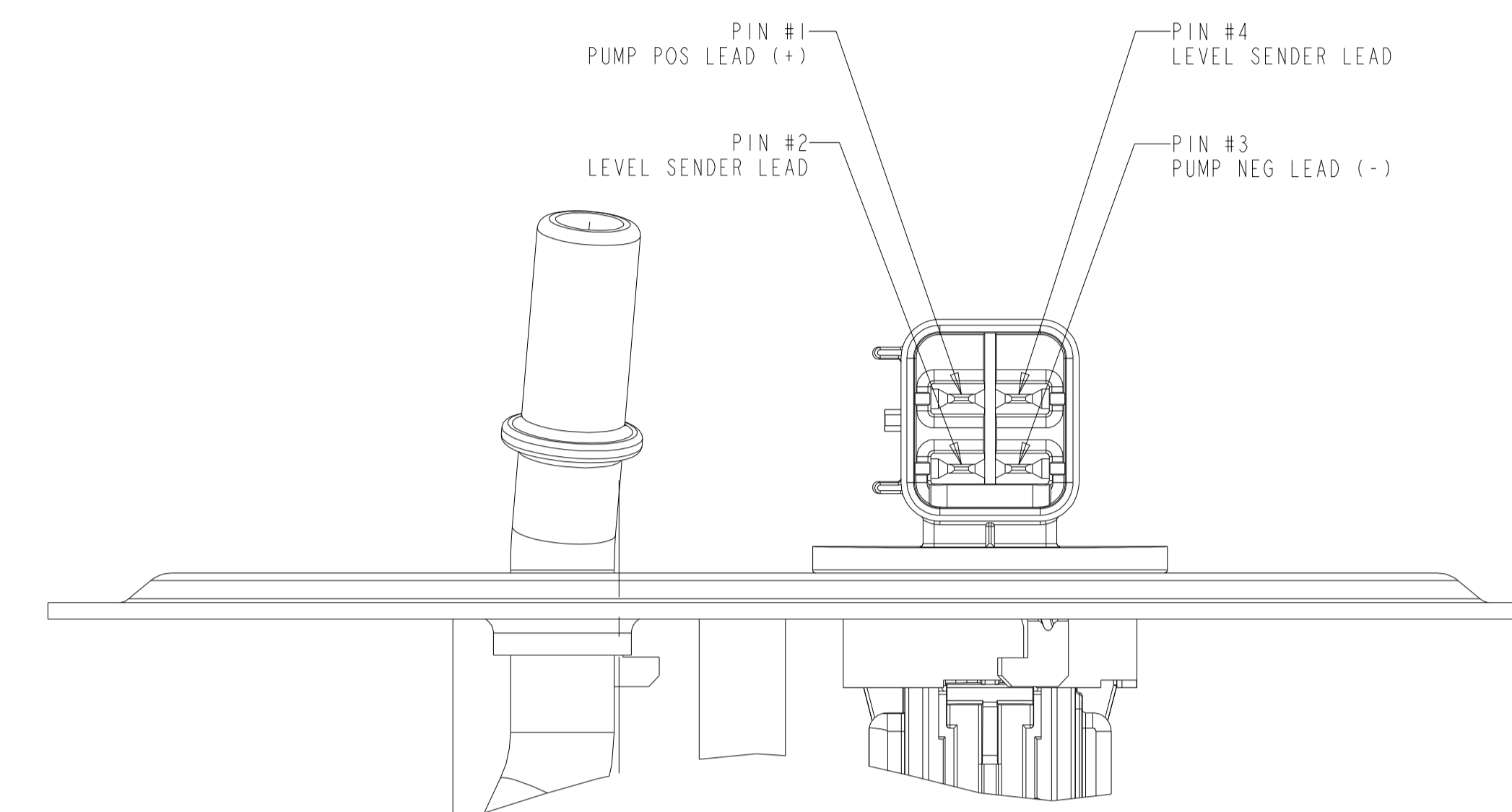
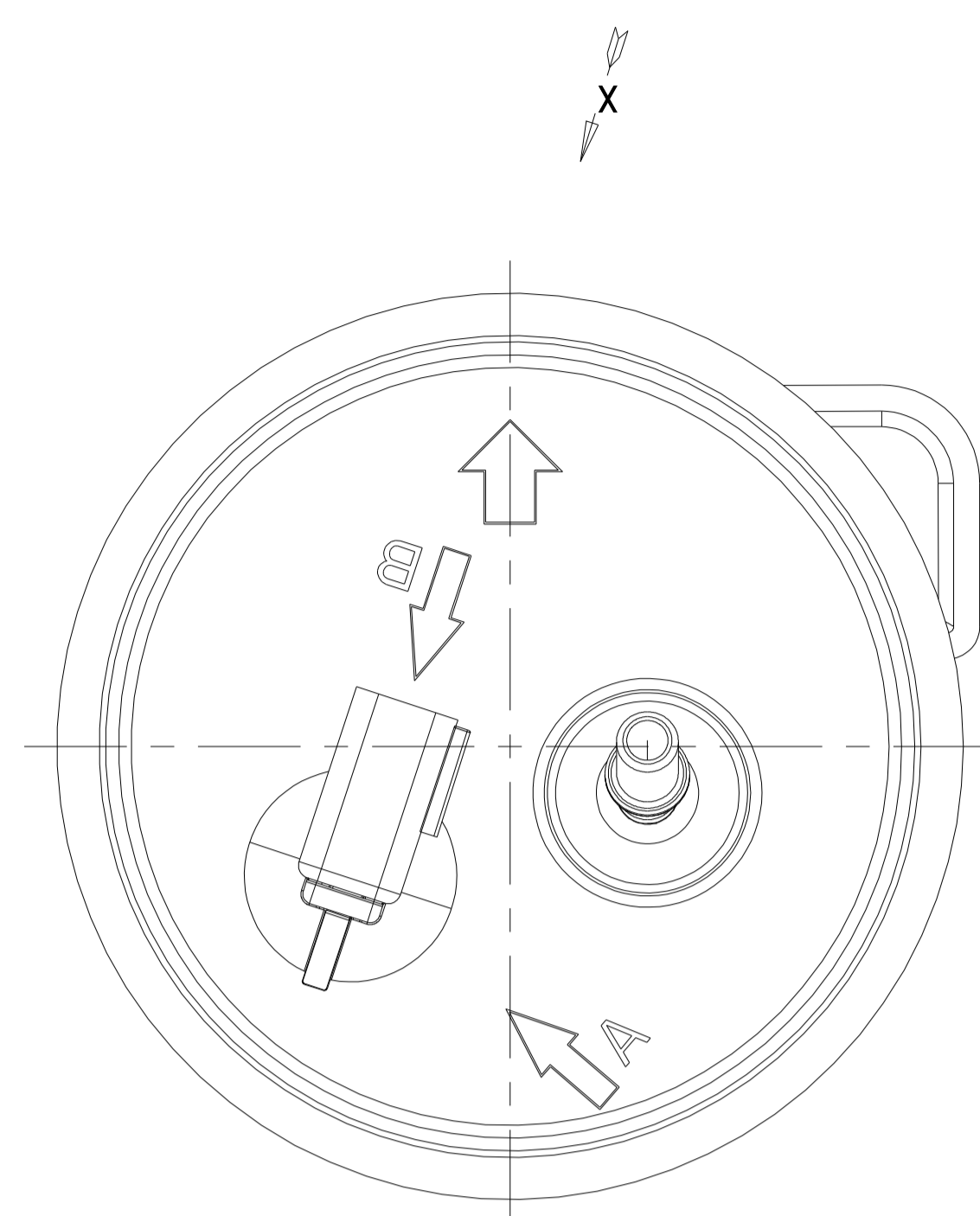
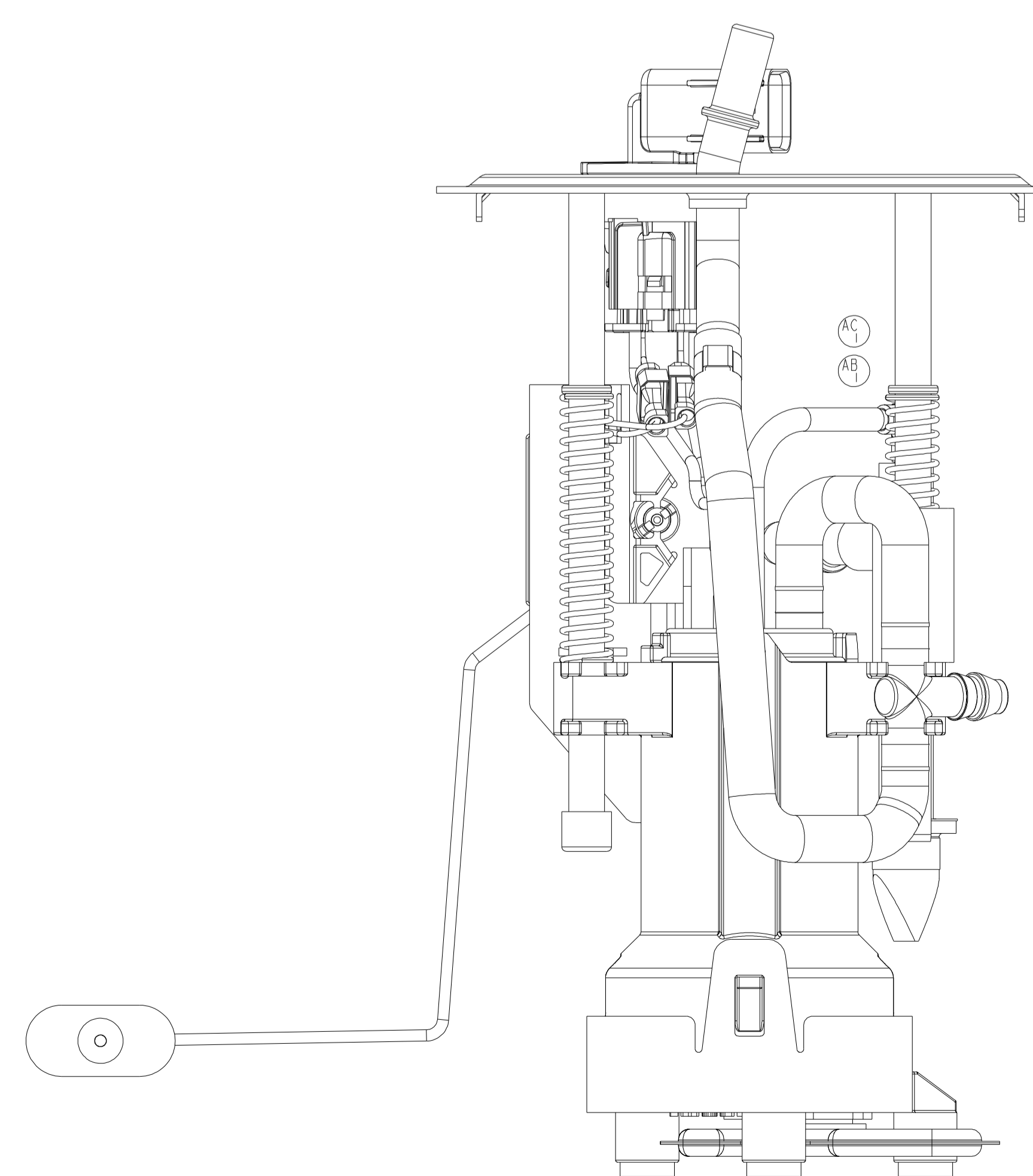
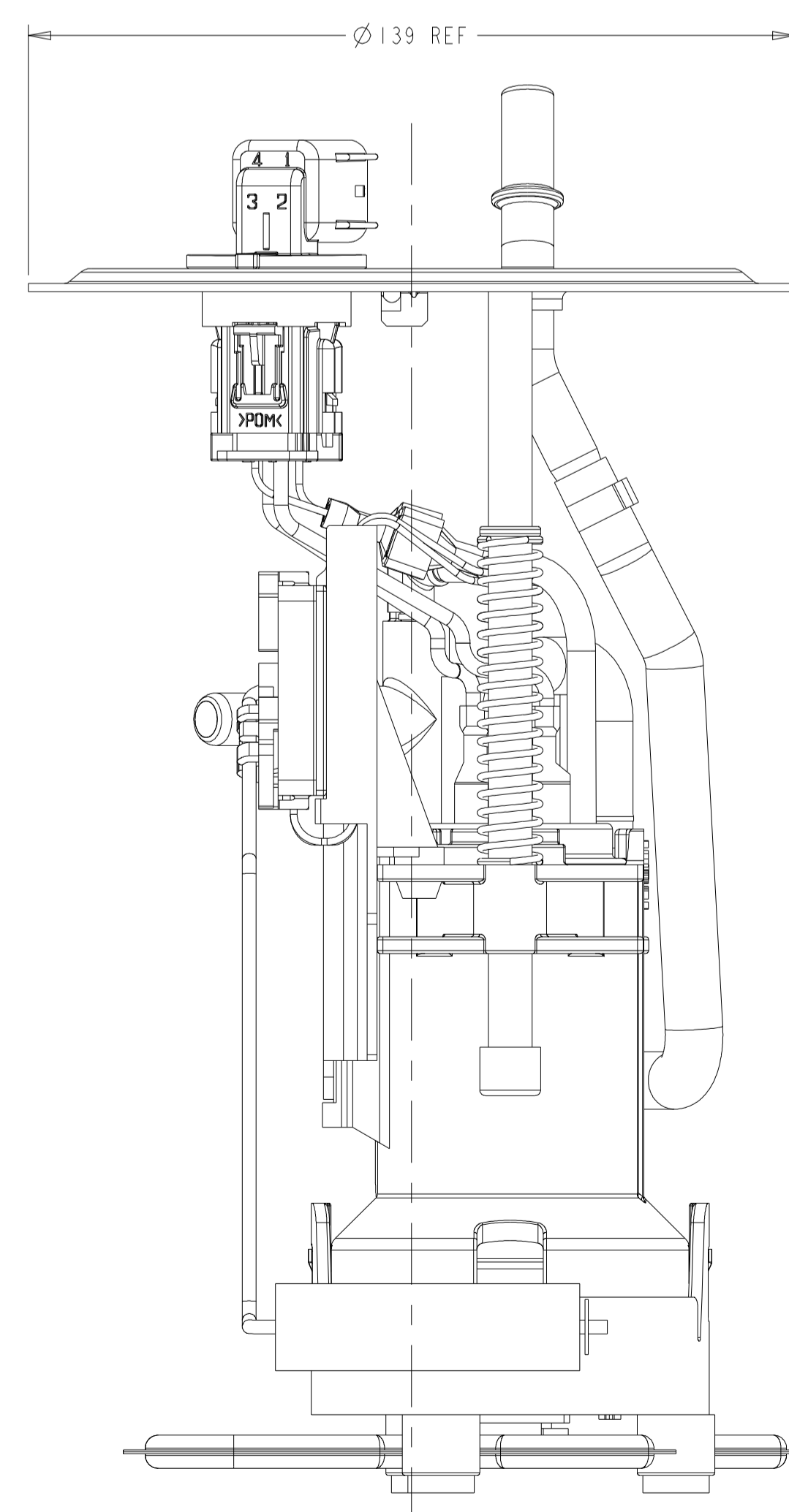
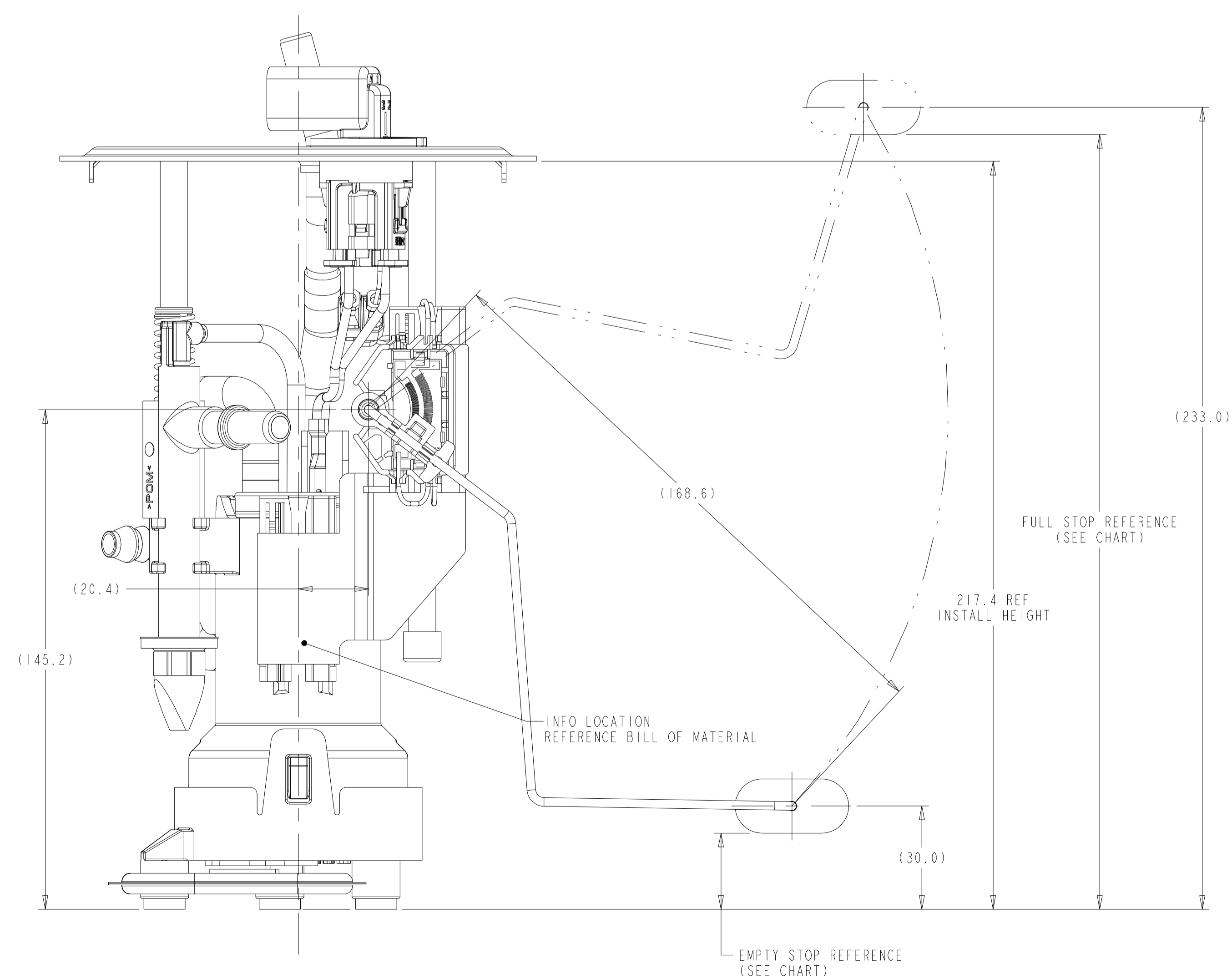


REVISIONS							
ZONE	LTR	DESCRIPTION	CHANGE No	DATE	BY	APPR'D	
	AA	RELEASED FOR PRODUCTION	C-1204	12OCT12	WDE	BLM	
6-D	AB	AB1 000105618 REVISED TO INCLUDE GROUND LEAD	DR42430	20MAY13	WDE	BLM	
6-D	AC	AC1 REMOVED GROUND WIRE	78220	10APR17	SLK	BLM	



E-CONNECTOR PIN OUT DETAIL
PARTIAL VIEW IN DIRECTION OF ARROW "X"
SCALE 2:1



- NOTES:
- SPECIAL CUSTOMER PACKAGING REQUIREMENTS MAY CALL FOR THE ADDITION OF SPECIFIC LABELS NOT SHOWN ON THIS DRAWING.
 - MODULE TO BE PACKAGED USING COMPONENTS NOTED ON BOM SO THAT CONTAMINATION FROM FOREIGN MATERIAL IS PREVENTED:
 - PLUG PROTECTORS ON PORTS
 - POLY BAG
 - SHOWN WIRE ROUTING MAY DIFFER FROM FINISHED PRODUCT.

LEVEL SENDER UNIT HEIGHT VS RESISTANCE		
FLOAT POSITION	HEIGHT (mm)	RESISTANCE (Ohms)
FULL STOP	225.17	160 ± 4
EMPTY STOP	22.1	15 ± 2

METRIC
ALL DIMENSIONS ARE IN MILLIMETERS
DO NOT SCALE
DECIMAL TOLERANCES UNLESS OTHERWISE SPECIFIED
ONE PLACE ±0.25 TWO PLACE ±0.13 ANGLES ±1°
THIRD ANGLE PROJECTION
DIMENSIONS IN ACCORDANCE WITH ASME Y14.5 - 2009

TI Automotive
630 COLUMBIA ST.
CARO, MI 48723
+1 989.673.7727

ENGINEER: B.WIDDLETON (1FEB11) MATERIAL/SPECIFICATION: N/A
DESIGNER: M.ERBACHER (1FEB11)
CAD SYSTEM: PROVE SCALE: 1:1 SHEET NO. 1 OF 1
REFERENCE FRAME: 7R32-9H307-AC ARD029708/AC
REFERENCE FRAME: 000107848/AB ARD029707/AC

KEY PRODUCT CHARACTERISTICS:
REFER TO TI AUTOMOTIVE GLOBAL ADVANCED QUALITY PROGRAM DOCUMENT # TISS-001-001 FOR THE CLASSIFICATION AND CONTROL OF KEY PRODUCT CHARACTERISTICS:
SAFETY CHARACTERISTIC
CRITICAL CHARACTERISTIC
HIGH IMPACT CHARACTERISTIC

THIS DRAWING IS PROPERTY OF TI AUTOMOTIVE. ALL RIGHTS ARE RESERVED. NO PART OF THIS DRAWING IS TO BE REPRODUCED OR TRANSMITTED IN ANY FORM OR BY ANY MEANS, ELECTRONIC OR MECHANICAL, INCLUDING PHOTOCOPYING, RECORDING, OR BY ANY INFORMATION STORAGE AND RETRIEVAL SYSTEM. THIS DRAWING IS PROVIDED FOR INFORMATION PURPOSES ONLY AND IS NOT TO BE USED FOR THE DESIGN OR CONSTRUCTION OF ANY PRODUCT. THE USER SHALL BE RESPONSIBLE FOR THE PROPER USE OF THIS DRAWING. TI AUTOMOTIVE SHALL BE RESPONSIBLE FOR THE PROVISION OF THIS DRAWING TO THE USER. TI AUTOMOTIVE SHALL BE RESPONSIBLE FOR THE PROVISION OF THIS DRAWING TO THE USER. TI AUTOMOTIVE SHALL BE RESPONSIBLE FOR THE PROVISION OF THIS DRAWING TO THE USER.

DRAWING NAME: FUEL MODULE OUTLINE
TITLE: A0
PART NUMBER: TU282HP