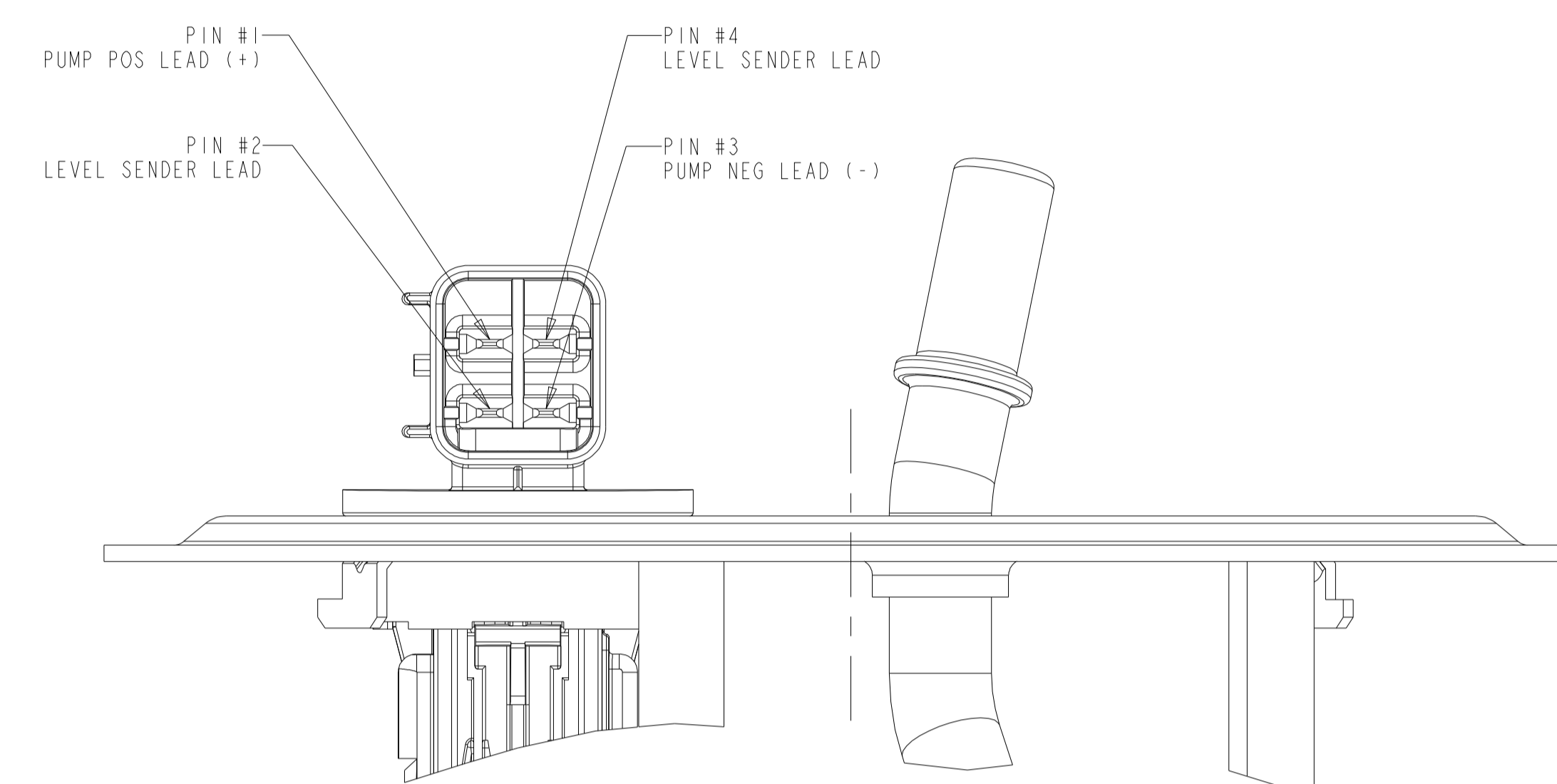
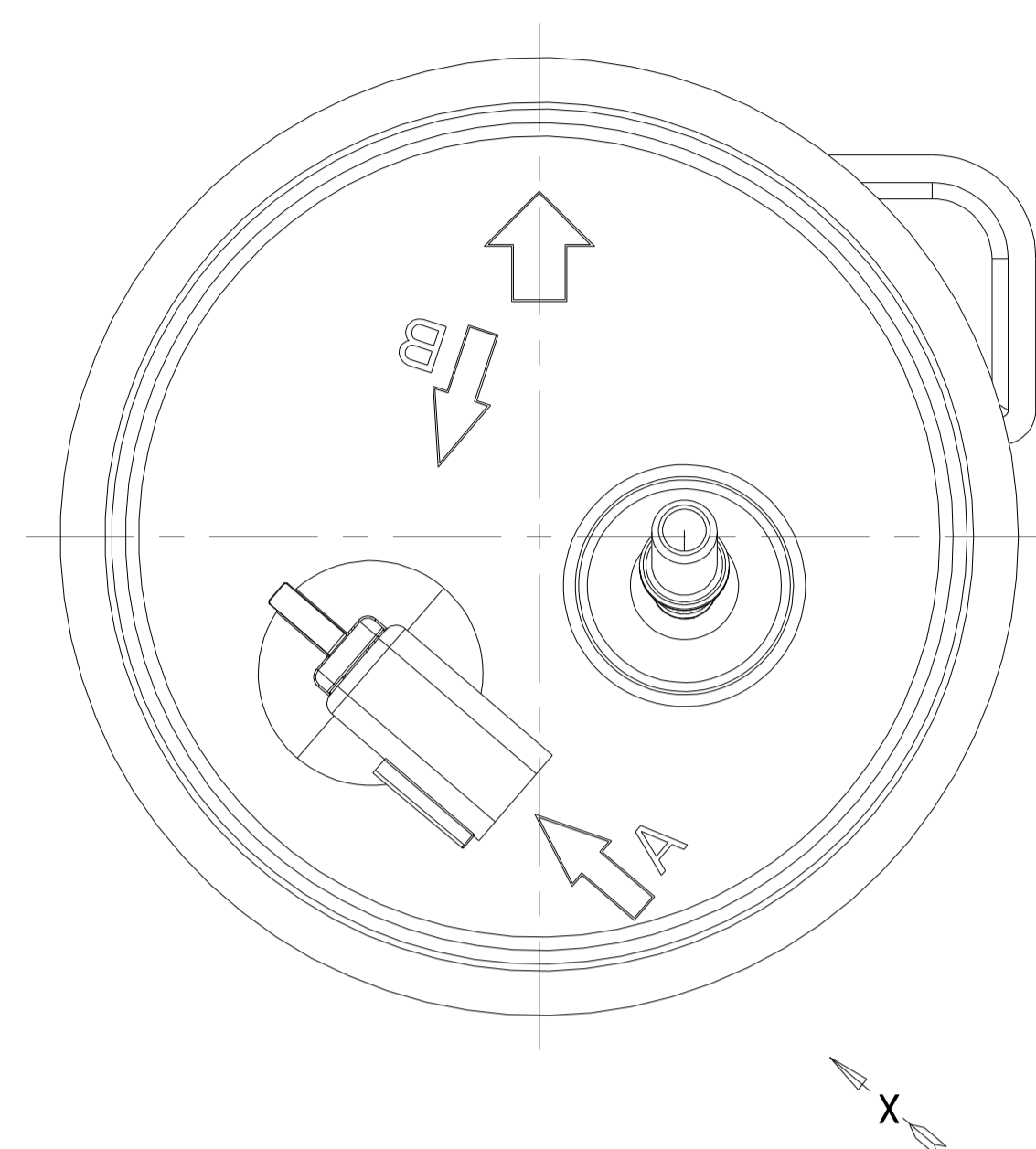
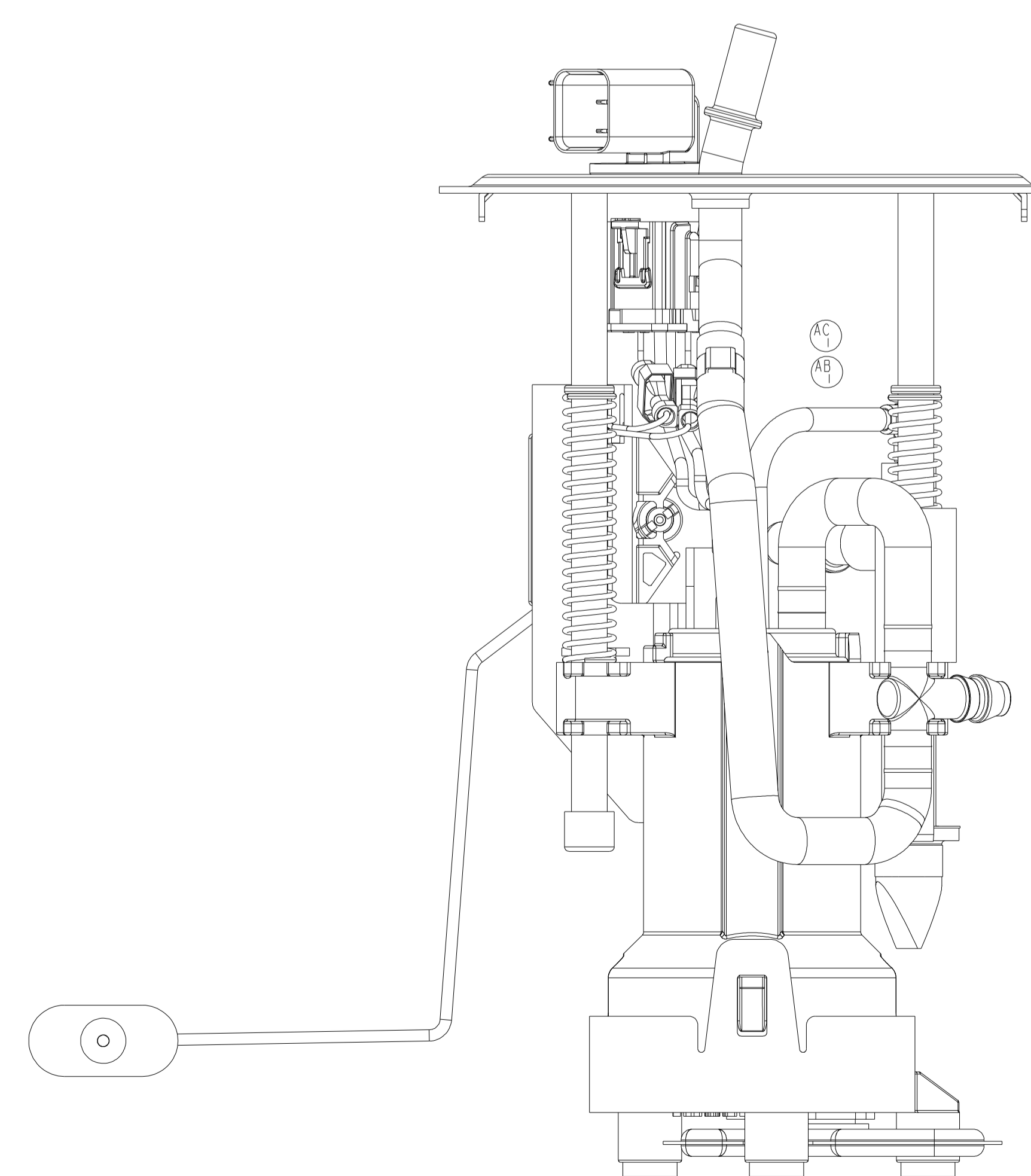
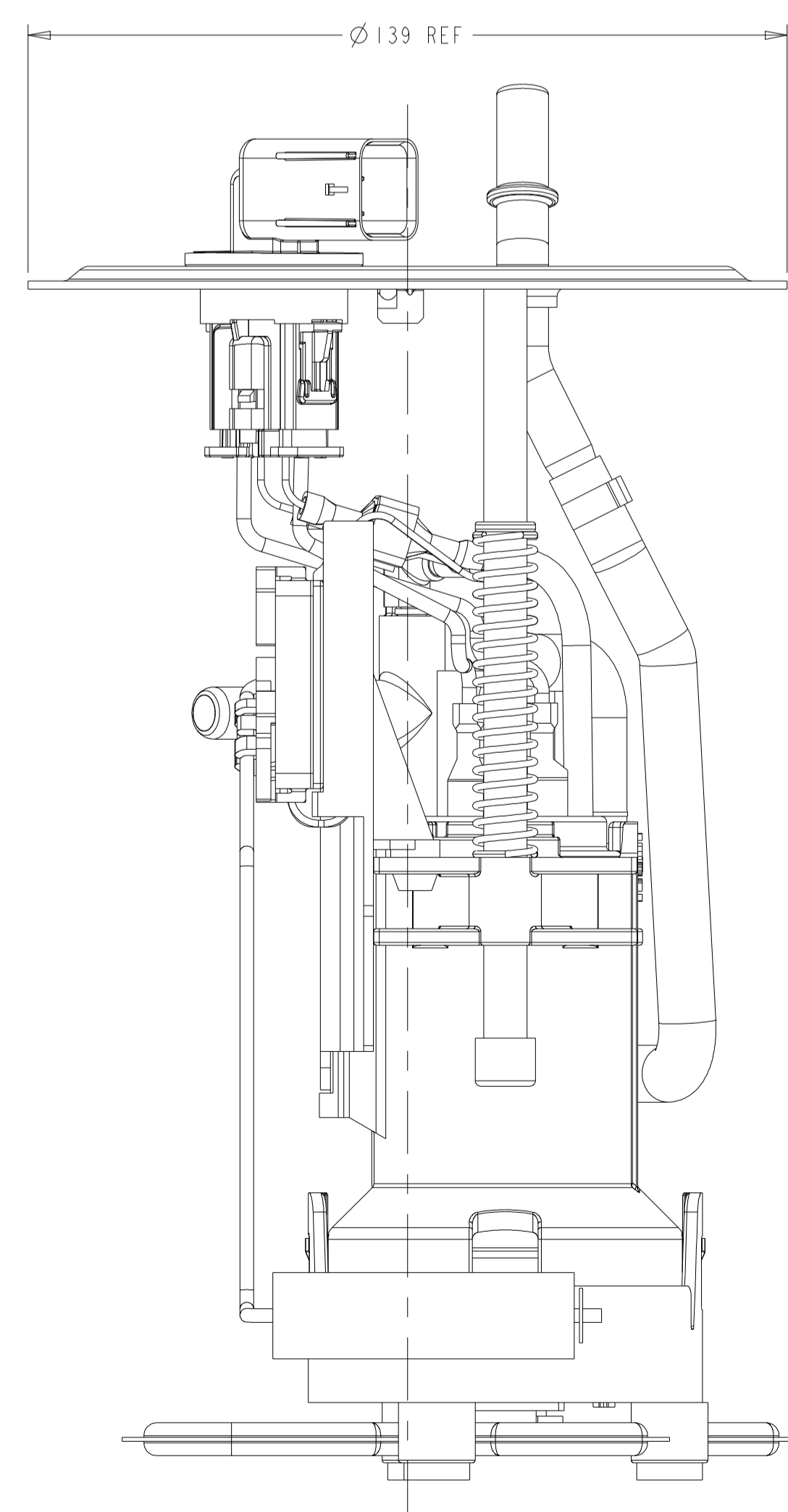
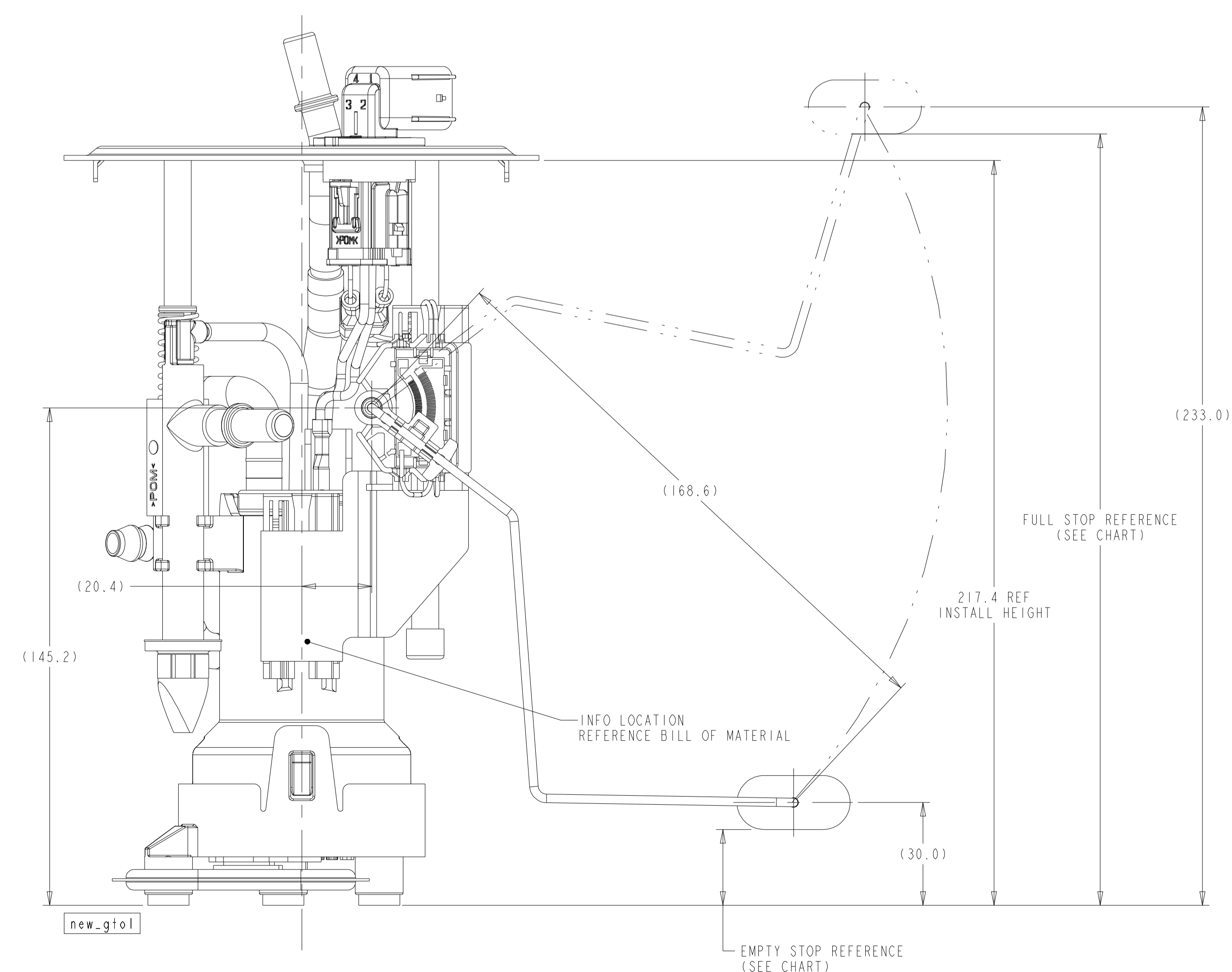


REVISIONS							
ZONE	LTR	DESCRIPTION	CHANGE No	DATE	BY	APPR'D	
	AA	RELEASED FOR PRODUCTION	C-1203	12OCT12	WDE	BLM	
6-D	AB	ABI 000105618 REVISED TO INCLUDE GROUND LEAD	DR42430	20MAY13	WDE	BLM	
6-D	AC	ACI REMOVED GROUND WIRE	78220	04APR17	SLK	BLM	



E-CONNECTOR PIN OUT DETAIL  
PARTIAL VIEW IN DIRECTION OF ARROW "X"  
SCALE 2:1



- NOTES:
- SPECIAL CUSTOMER PACKAGING REQUIREMENTS MAY CALL FOR THE ADDITION OF SPECIFIC LABELS NOT SHOWN ON THIS DRAWING.
  - MODULE TO BE PACKAGED USING COMPONENTS NOTED ON BOM SO THAT CONTAMINATION FROM FOREIGN MATERIAL IS PREVENTED:
    - PLUG PROTECTORS ON PORTS
    - POLY BAG
  - SHOWN WIRE ROUTING MAY DIFFER FROM FINISHED PRODUCT.

LEVEL SENDER UNIT HEIGHT VS RESISTANCE		
FLOAT POSITION	HEIGHT (mm)	RESISTANCE (Ohms)
FULL STOP	225.17	160 ± 4
EMPTY STOP	22.1	15 ± 2

METRIC  
ALL DIMENSIONS ARE IN MILLIMETERS

DO NOT SCALE  
DECIMAL TOLERANCES UNLESS OTHERWISE SPECIFIED  
ONE PLACE ±0.25 TWO PLACE ±0.13 ANGLES ±1°

THIRD ANGLE PROJECTION  
DIMENSIONS IN ACCORDANCE WITH ASME Y14.5 - 2009

**TI Automotive**  
630 COLUMBIA ST.  
CARO, MI 48723  
+1 989.673.7727

ENGINEER: B.MIDDLETON (11FEB11) MATERIAL/SPECIFICATION:  
DESIGNER: M.ERBACHER (11FEB11)  
CAD SYSTEM: PROVE SCALE: 1:1 SHEET NO. 1 OF 1

REFERENCE TO: 5R32-9H307-AC ARD029706/AC  
000107847/AB ARD029705/AC

KEY PRODUCT CHARACTERISTICS:  
 - SAFETY CHARACTERISTIC  
 - CRITICAL CHARACTERISTIC  
 - HIGH IMPACT CHARACTERISTIC

DESIGN NAME: FUEL MODULE OUTLINE  
 TITLE: A0 DRAWING NUMBER: TU281HP