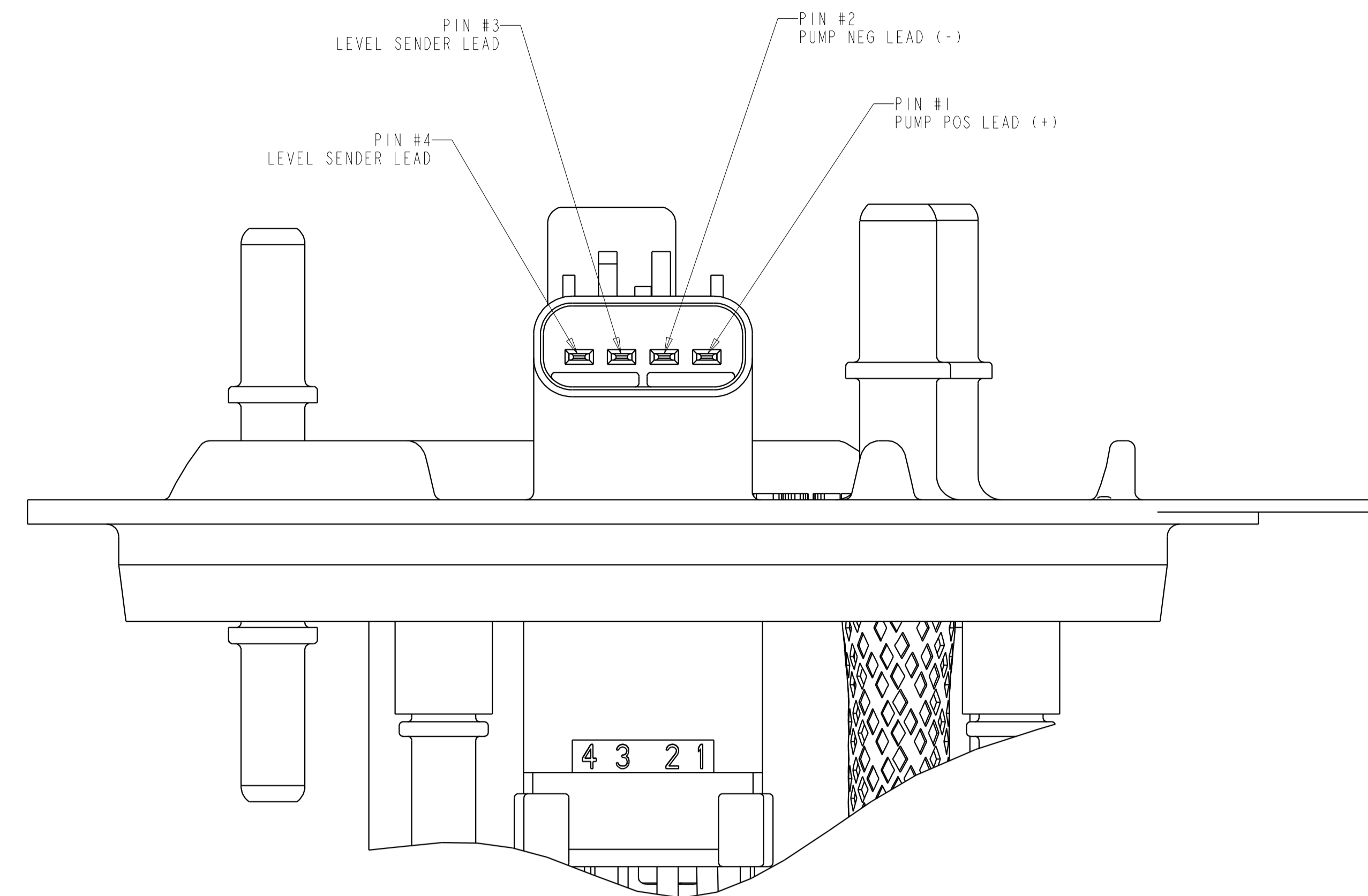
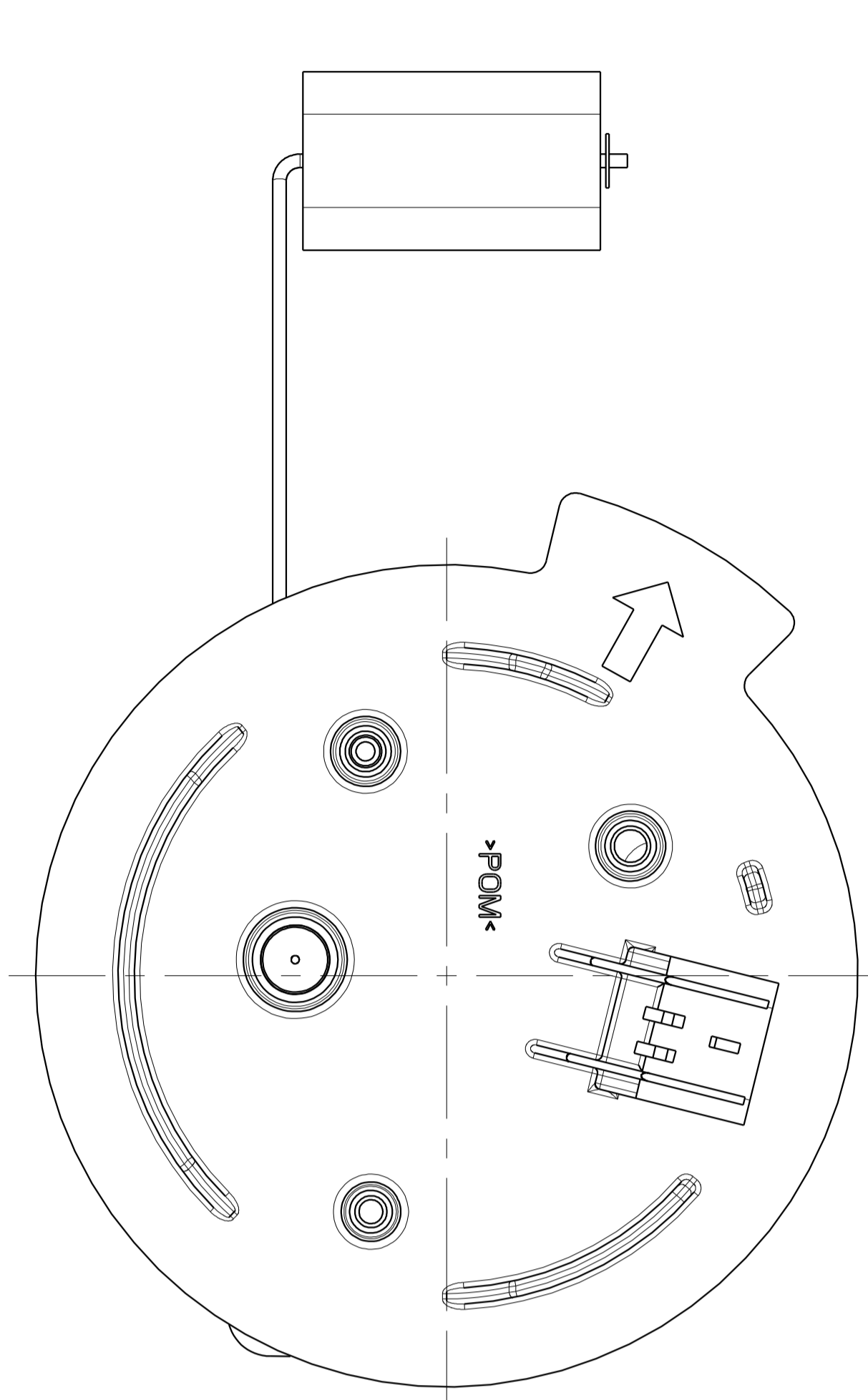
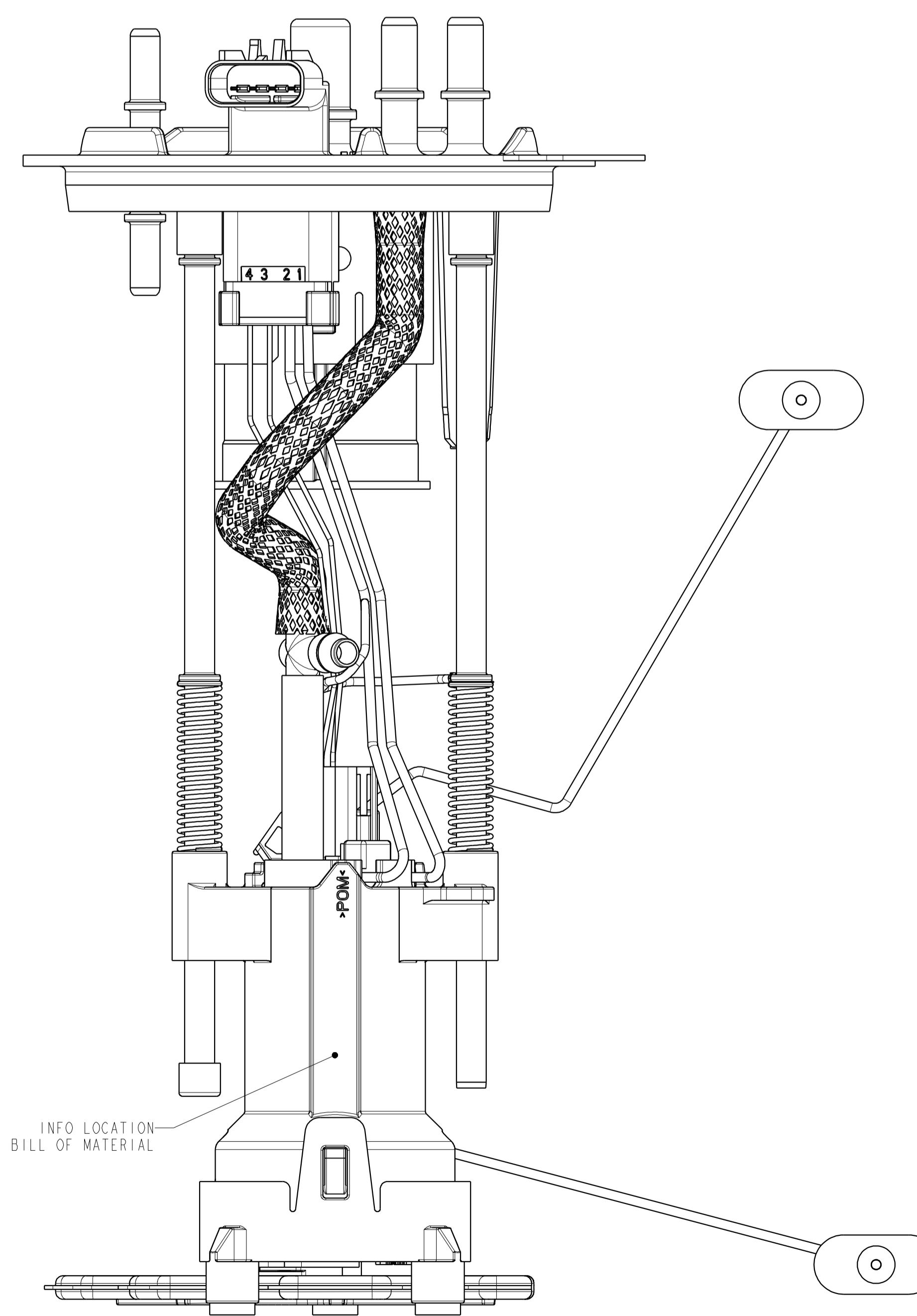
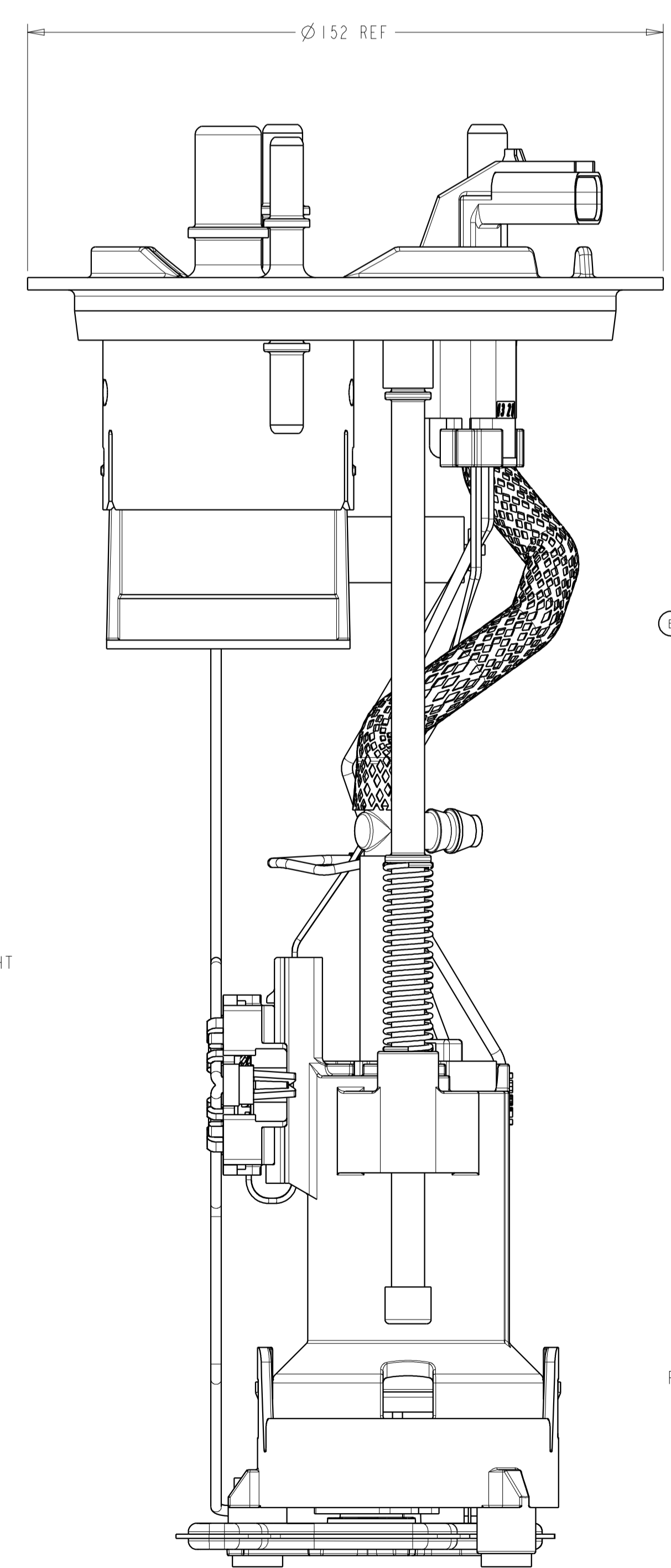
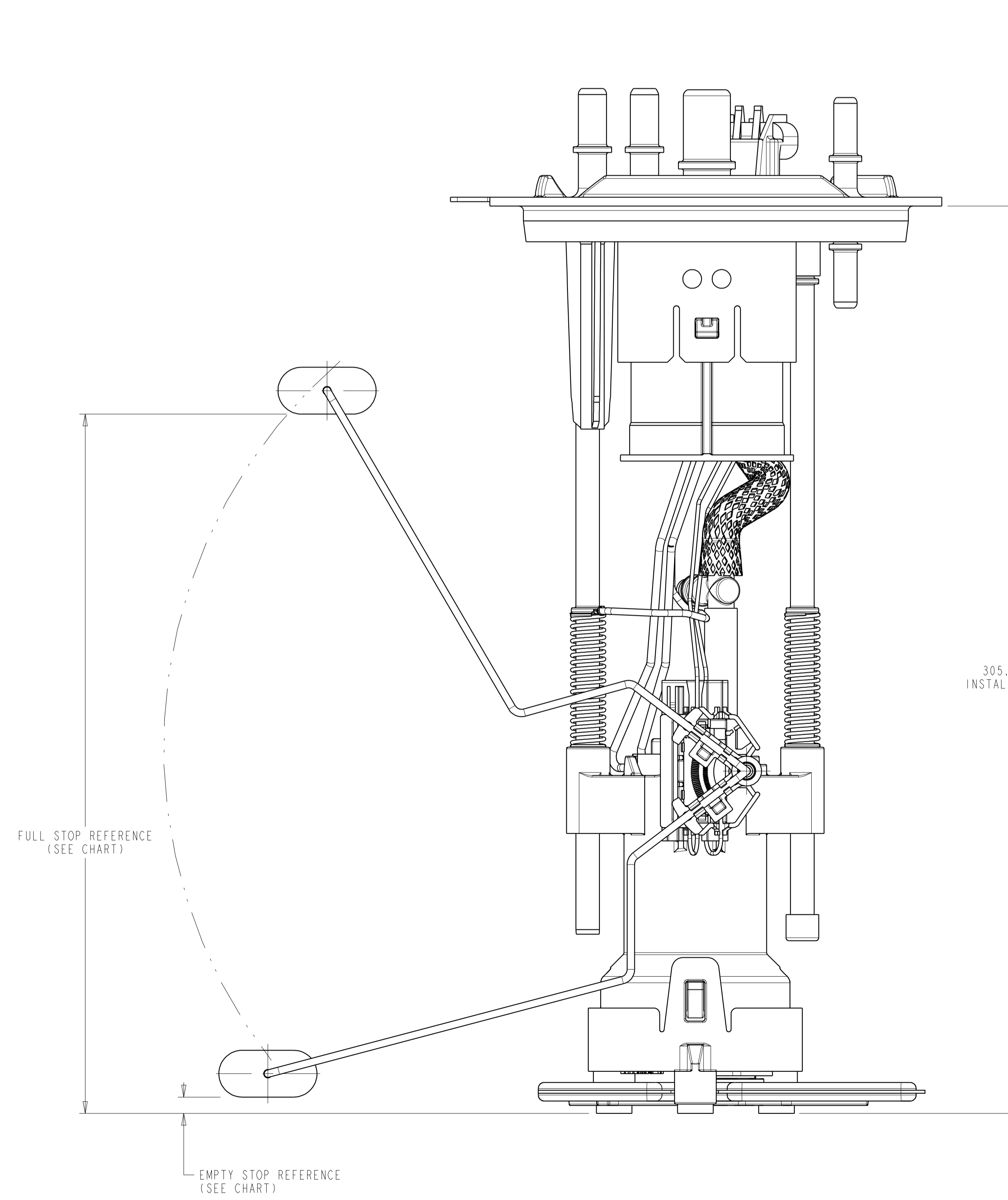


REVISIONS						
ZONE	LTR	DESCRIPTION	CHANGE No	DATE	BY	APPR'D
A		RELEASED FOR QUOTE	DR28119	13AUG10	RMB	BLM
9-E	B	ADD SLEEVE TO SUPPLY TUBE	DR29136	17NOV10	RMB	BLM
C		RELEASED FOR PRODUCTION	C'483	17FEB11	RMB	BLM



E-CONNECTOR PIN OUT DETAIL
PARTIAL VIEW IN DIRECTION OF ARROW "X"
SCALE 2:1



LEVEL SENDER UNIT HEIGHT VS RESISTANCE		
FLOAT POSITION	HEIGHT (mm)	RESISTANCE (Ohms)
FULL STOP	235.0 REF	138.6 ± 4
EMPTY STOP	5.0 REF	7.4 ± 2

- NOTES:
- SPECIAL CUSTOMER PACKAGING REQUIREMENTS MAY CALL FOR THE ADDITION OF SPECIFIC LABELS NOT SHOWN ON THIS DRAWING.
 - MODULE TO BE PACKAGED USING COMPONENTS NOTED ON BOM SO THAT CONTAMINATION FROM FOREIGN MATERIAL IS PREVENTED:
- PLUG PROTECTORS ON PORTS
- POLY BAG
 - SHOWN WIRE ROUTING MAY DIFFER FROM FINISHED PRODUCT.

METRIC
ALL DIMENSIONS ARE IN MILLIMETERS

DO NOT SCALE
DECIMAL TOLERANCES UNLESS OTHERWISE SPECIFIED
ONE PLACE ±0.25 TWO PLACE ±0.13 ANGLES ±1°

THIRD ANGLE PROJECTION
DIMENSIONS IN ACCORDANCE WITH ASME Y14.5 - 2009

TI Automotive
630 COLUMBIA ST
CARO, MI 48723
+1 989.673.7127

ENGINEER	B. WIDDLETON	13AUG2010	MATERIAL SPECIFICATION
DES. MANAGER			N/A
DESIGNER	R. BRUBAKER	13AUG2010	
CAD SYSTEM: PROVE	SCALE: 1:1	SHEET NO. 1 OF 1	
REFERENCE TUBES:		P/N REFERENCE ONLY:	
CAD: AR0028539/AC		000103583/AA	
REFERENCE TUBES:		P/N REFERENCE ONLY:	

DRAWING NAME: FUEL MODULE OUTLINE (F150FFV, M-TANK)
DRAWING NUMBER: TU276HP

THIS DRAWING IS THE PROPERTY OF TI AUTOMOTIVE. IT IS UNLAWFUL TO REPRODUCE, COPY, OR TRANSMIT THIS DRAWING IN ANY MANNER WITHOUT THE WRITTEN PERMISSION OF TI AUTOMOTIVE. ALL RIGHTS RESERVED. THIS DRAWING IS UNCLASSIFIED.