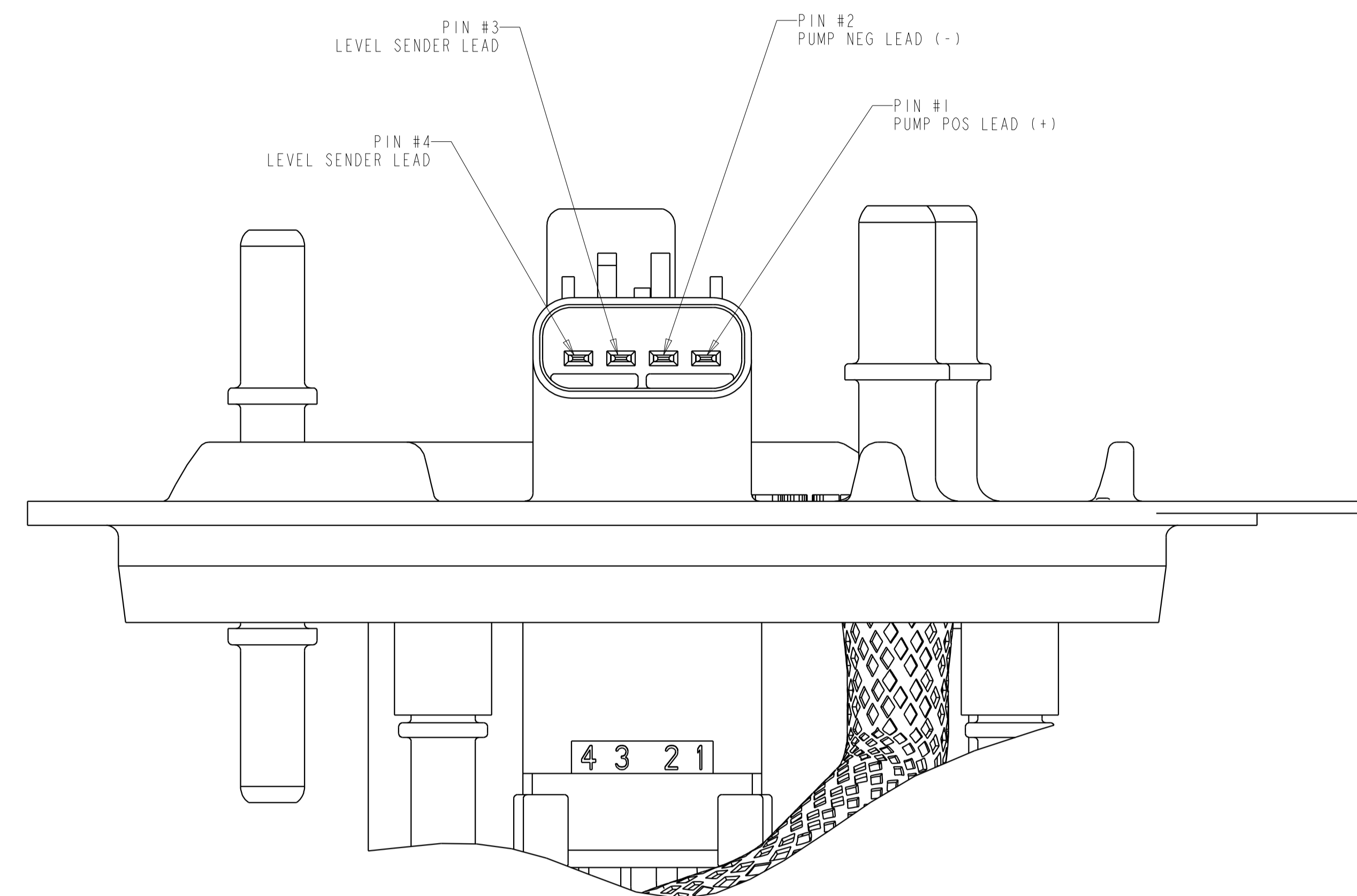
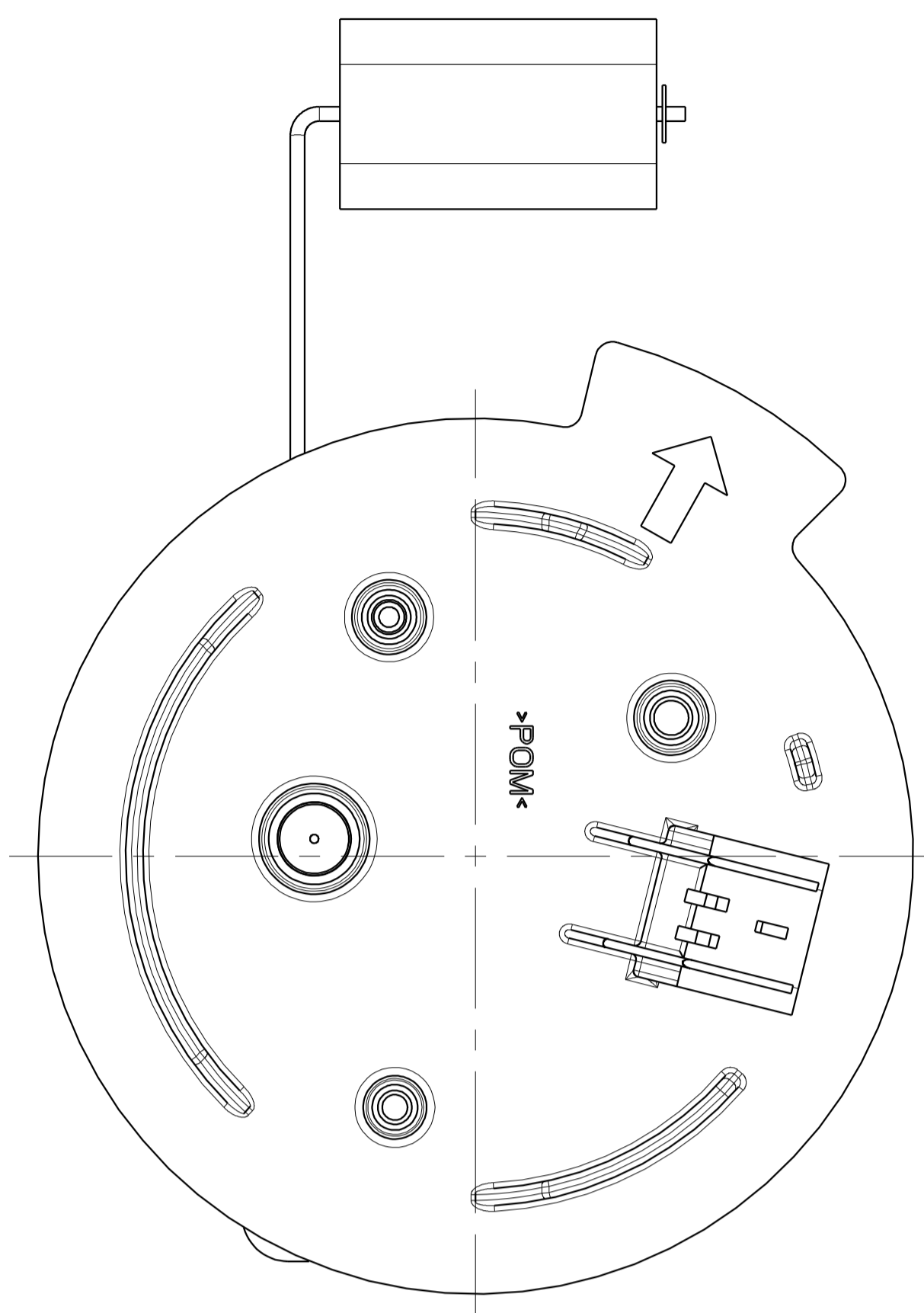
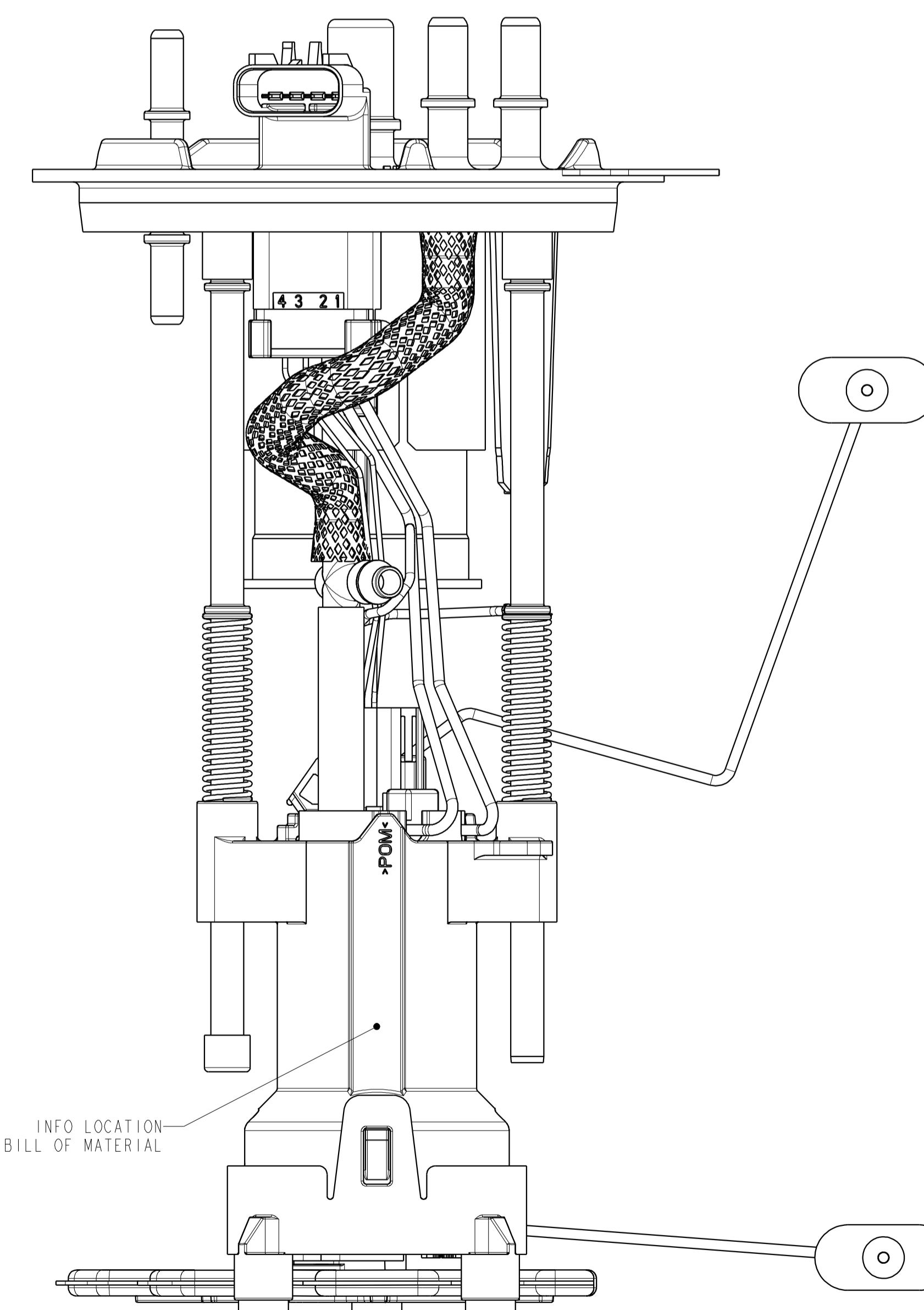
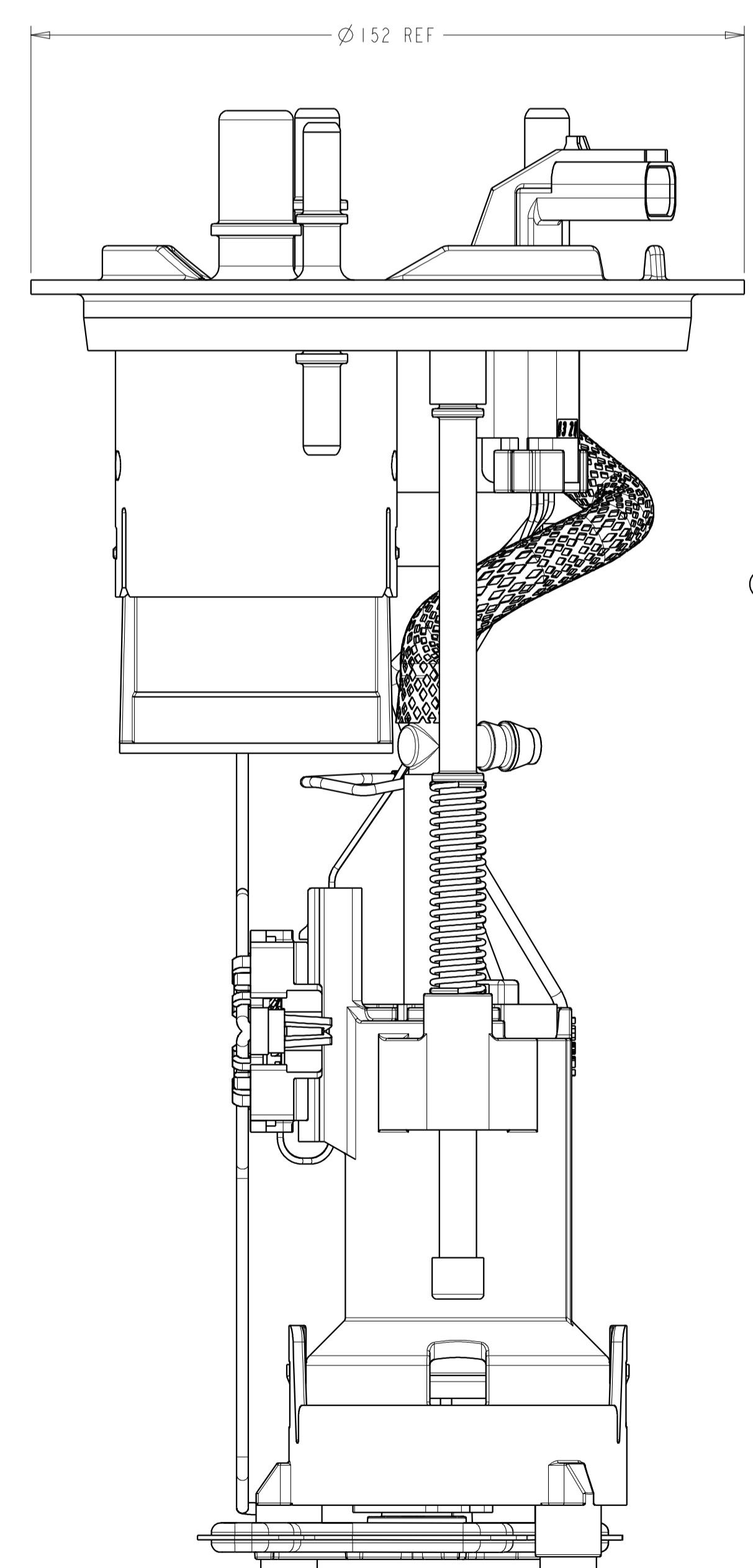
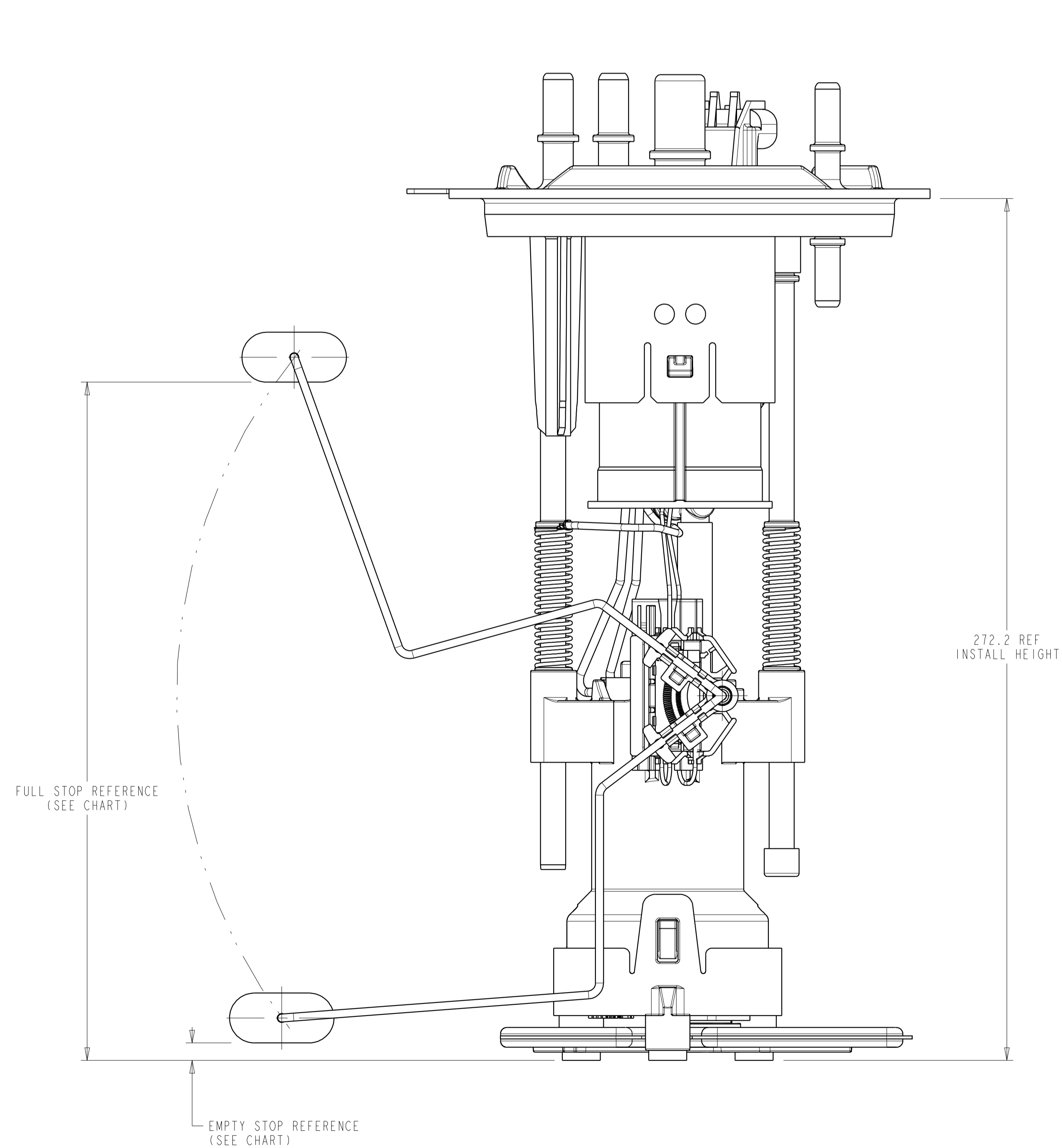


REVISIONS						
ZONE	LTR	DESCRIPTION	CHANGE No	DATE	BY	APPR'D
A		RELEASED FOR QUOTE	DR28119	13AUG10	RMB	BLM
9-E	B	ADD SLEEVE TO SUPPLY TUBE	DR29136	17NOV10	RMB	BLM



E-CONNECTOR PIN OUT DETAIL
PARTIAL VIEW IN DIRECTION OF ARROW "X"
SCALE 2:1



LEVEL SENDER UNIT HEIGHT VS RESISTANCE		
FLOAT POSITION	HEIGHT (mm)	RESISTANCE (Ohms)
FULL STOP	213.7 REF	138.6 ± 4
EMPTY STOP	5.0 REF	7.4 ± 2

- NOTES:
- SPECIAL CUSTOMER PACKAGING REQUIREMENTS MAY CALL FOR THE ADDITION OF SPECIFIC LABELS NOT SHOWN ON THIS DRAWING.
 - MODULE TO BE PACKAGED USING COMPONENTS NOTED ON BOM SO THAT CONTAMINATION FROM FOREIGN MATERIAL IS PREVENTED:
- PLUG PROTECTORS ON PORTS
- POLY BAG
 - SHOWN WIRE ROUTING MAY DIFFER FROM FINISHED PRODUCT.

METRIC
ALL DIMENSIONS ARE IN MILLIMETERS

DO NOT SCALE

DECIMAL TOLERANCES UNLESS OTHERWISE SPECIFIED
ONE PLACE ±0.25 TWO PLACE ±0.13 ANGLES ±1°

THIRD ANGLE PROJECTION
DIMENSIONS IN ACCORDANCE WITH ASME Y14.5 - 2009

TI Automotive
630 COLUMBIA ST.
CARO, MI 48723
+1 989.673.7127

ENGINEER	B. WIDDLETON	13AUG2010	MATERIAL SPECIFICATION:
DES. MANAGER			N/A
DESIGNER	R. BRUBAKER	13AUG2010	
CAD SYSTEM: PROE	SCALE: 1:1	SHEET NO. 1 OF 1	
REFERENCE TUBES:		P/W REFERENCE TUBES:	
CAD: AR0028537/AB		000103561/AA	
REFERENCE TUBES:		P/W REFERENCE TUBES:	

DRAWING NAME:
FUEL MODULE OUTLINE (F150FFV, L-TANK)

DRAWING NUMBER:
A0 TU275HP / REV B

THIS DRAWING IS UNLESS OTHERWISE SPECIFIED TO BE IN ACCORDANCE WITH THE PROE SOFTWARE LICENSE AGREEMENT. ALL RIGHTS RESERVED. THIS DRAWING IS UNLESS OTHERWISE SPECIFIED TO BE IN ACCORDANCE WITH THE PROE SOFTWARE LICENSE AGREEMENT. ALL RIGHTS RESERVED. THIS DRAWING IS UNLESS OTHERWISE SPECIFIED TO BE IN ACCORDANCE WITH THE PROE SOFTWARE LICENSE AGREEMENT. ALL RIGHTS RESERVED.