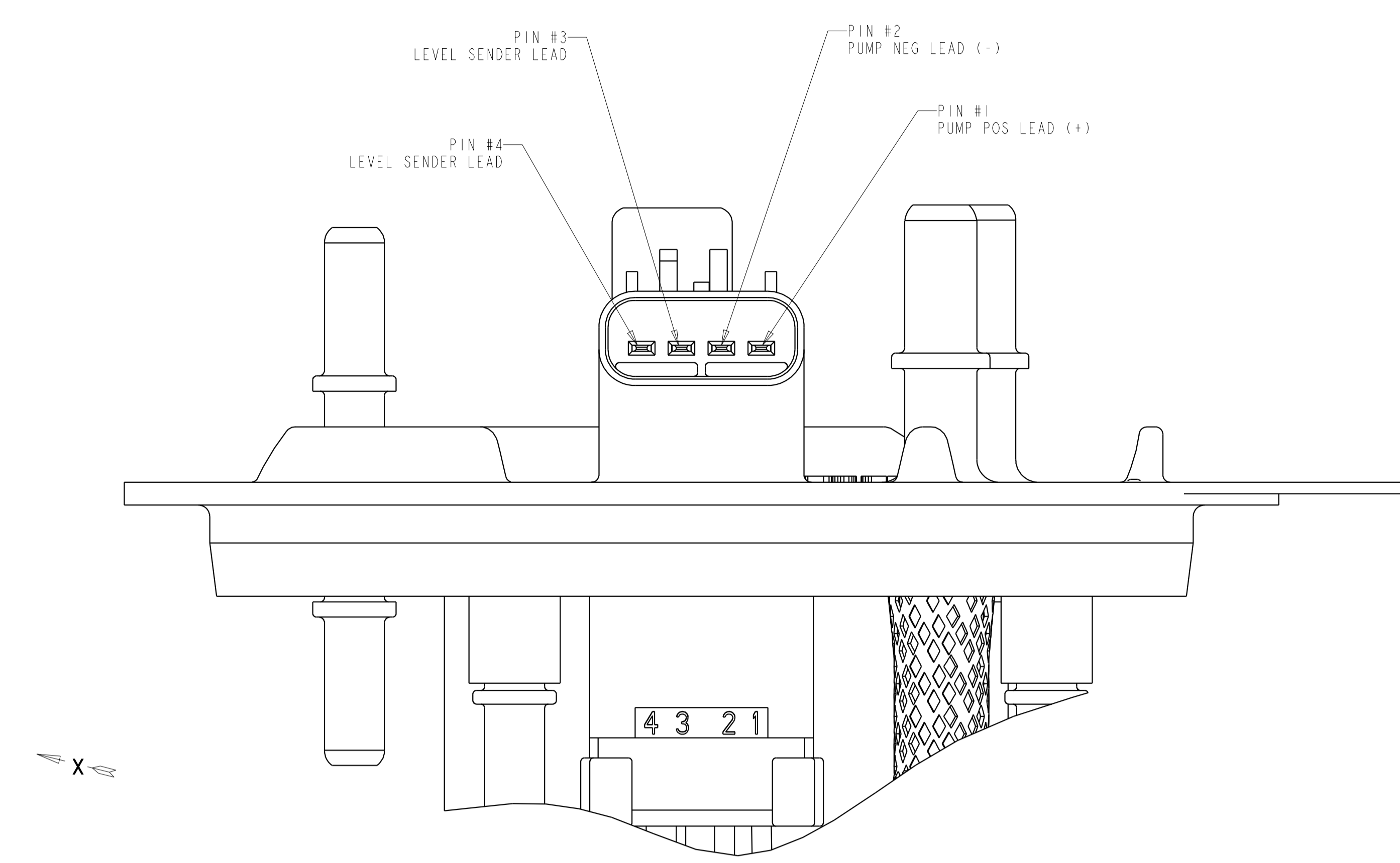
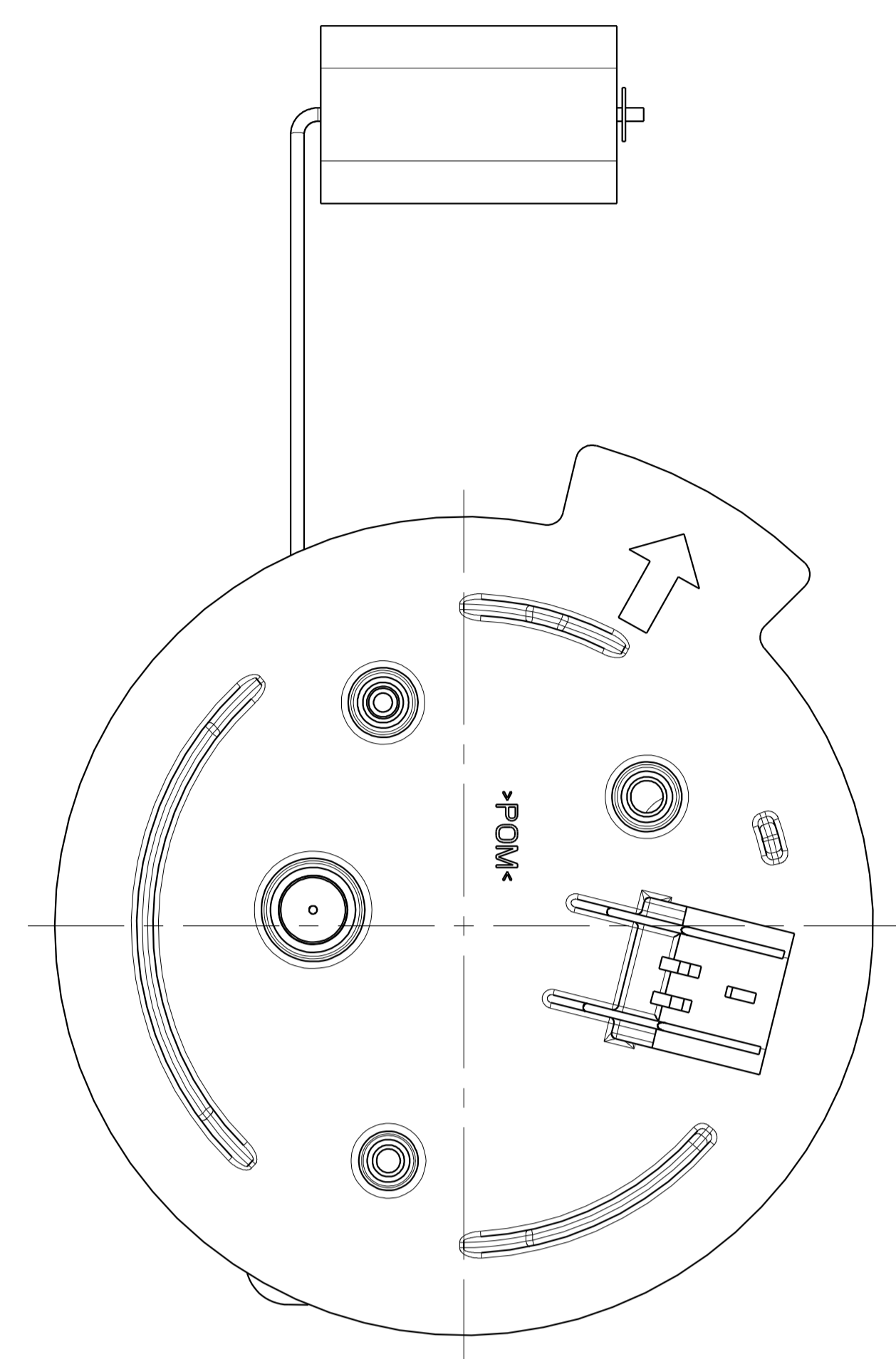
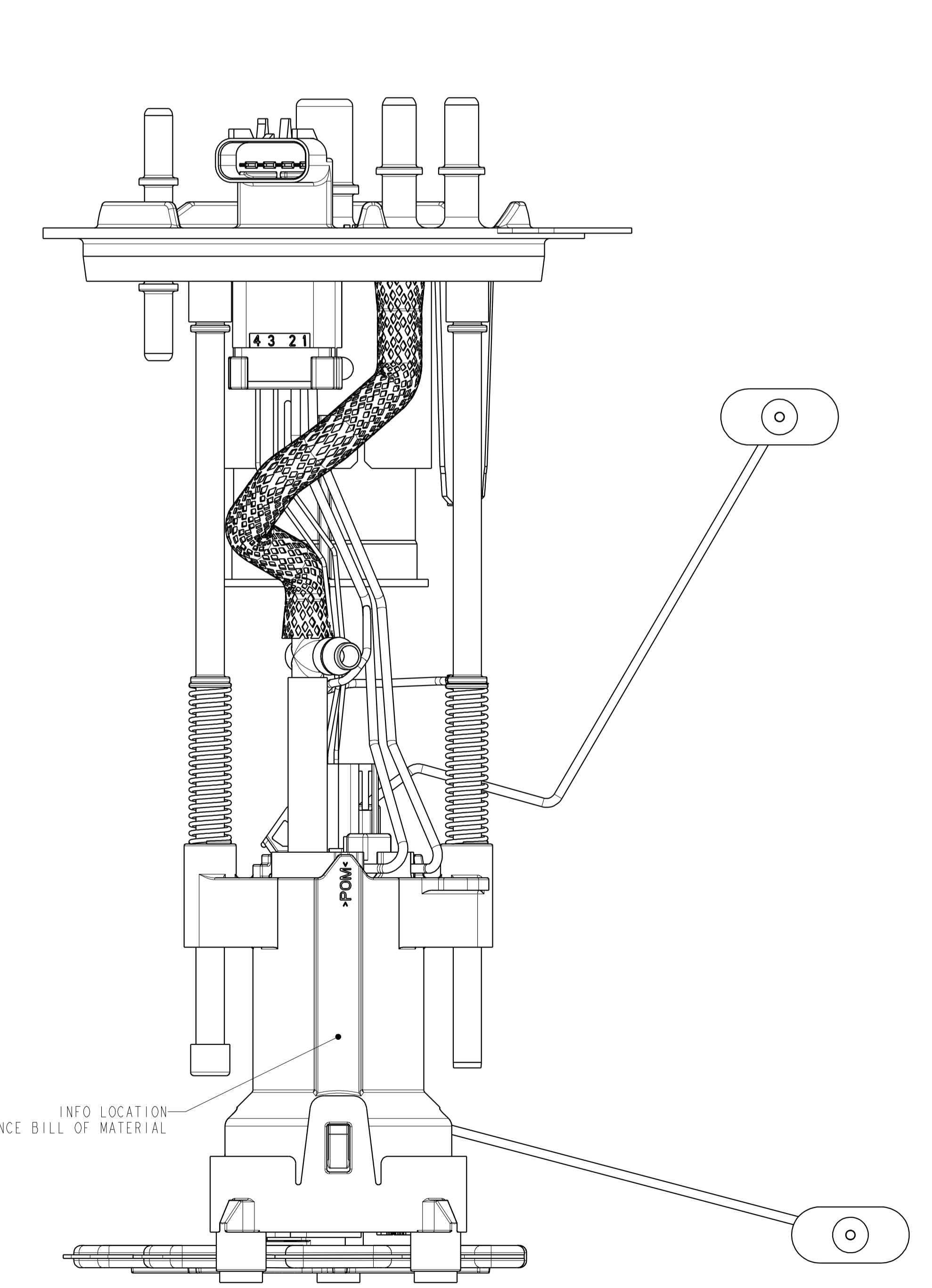
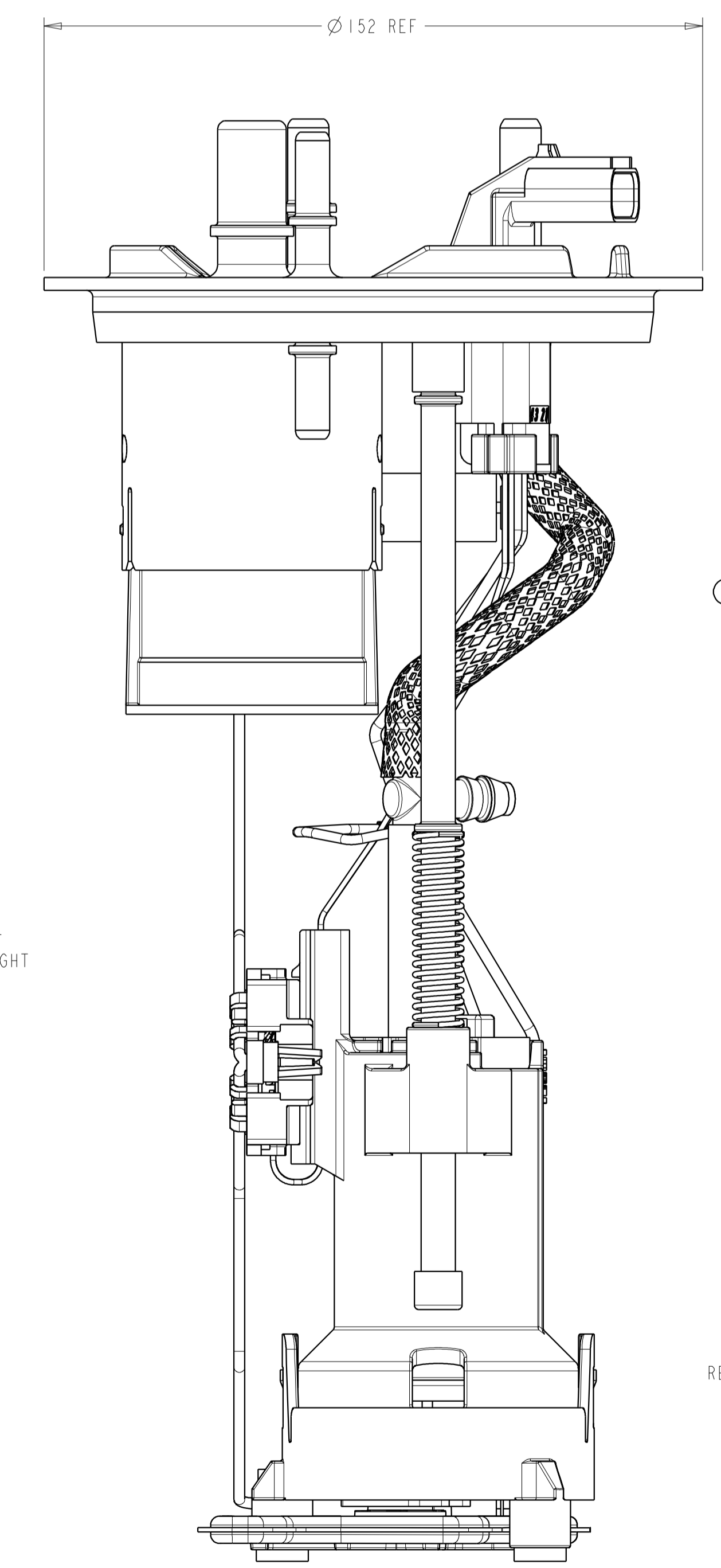
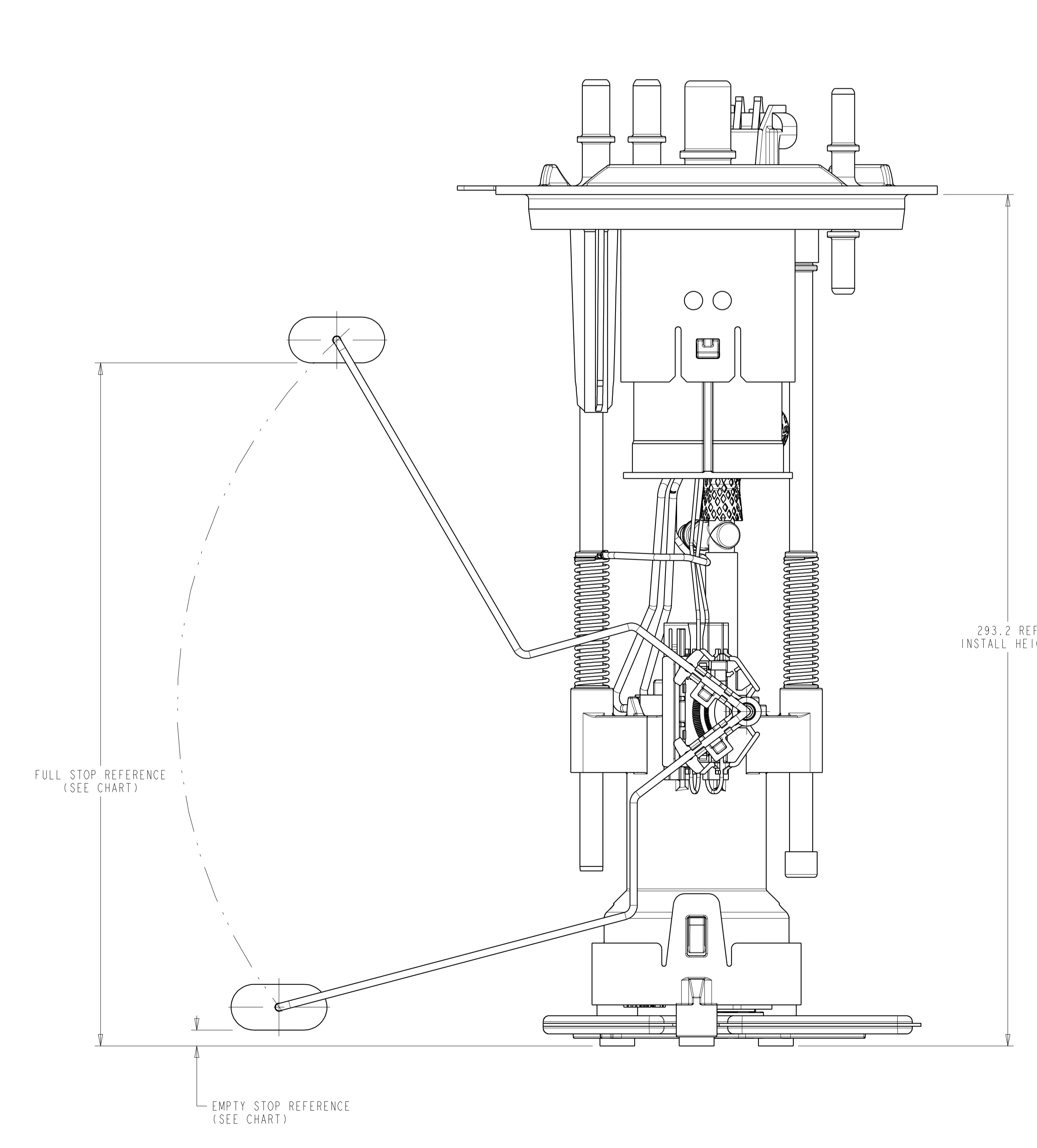


REVISIONS						
ZONE	LTR	DESCRIPTION	CHANGE No	DATE	BY	APPR'D
A		RELEASED FOR QUOTE	DR28119	12AUG10	RMB	BLM
9-E	B	ADD SLEEVE TO SUPPLY TUBE	DR29136	17NOV10	RMB	BLM
C		RELEASED FOR PRODUCTION	C'483	17FEB11	RMB	BLM



E-CONNECTOR PIN OUT DETAIL  
PARTIAL VIEW IN DIRECTION OF ARROW "X"  
SCALE 2:1



FLOAT POSITION	HEIGHT (mm)	RESISTANCE (Ohms)
FULL STOP	235.0 REF	138.6 ± 4
EMPTY STOP	5.0 REF	7.4 ± 2

- NOTES:
- SPECIAL CUSTOMER PACKAGING REQUIREMENTS MAY CALL FOR THE ADDITION OF SPECIFIC LABELS NOT SHOWN ON THIS DRAWING.
  - MODULE TO BE PACKAGED USING COMPONENTS NOTED ON BOM SO THAT CONTAMINATION FROM FOREIGN MATERIAL IS PREVENTED:  
- PLUG PROTECTORS ON PORTS  
- POLY BAG
  - SHOWN WIRE ROUTING MAY DIFFER FROM FINISHED PRODUCT.

ALL DIMENSIONS ARE IN MILLIMETERS

DO NOT SCALE

DECIMAL TOLERANCES UNLESS OTHERWISE SPECIFIED  
ONE PLACE ±0.25 TWO PLACE ±0.13 ANGLES ±1°

THIRD ANGLE PROJECTION

DIMENSIONS IN ACCORDANCE WITH ASME Y14.5 - 2009

**TI Automotive**  
630 COLUMBIA ST.  
CARO, MI 48723  
+1 989.673.7127

ENGINEER	B. WIDDLETON	12AUG2010	MATERIAL SPECIFICATION:
DES. MANAGER			N/A
DESIGNER	R. BRUBAKER	12AUG2010	
CAD SYSTEM: PROVE	SCALE: 1:1		SHEET NO. 1 OF 1
REFERENCE TO FILE:		P/N REFERENCE FILE:	
CAD: AR0028533/AC		000103529/AA	
REFERENCE TO FILE:		P/W REFERENCE FILE:	

DRAWING NAME: FUEL MODULE OUTLINE (F150FFV, J-TANK)  
DRAWING NUMBER: A0 TU273HP

THIS DRAWING IS PROPERTY OF TI AUTOMOTIVE. IT IS UNLAWFUL TO REPRODUCE, COPY, OR TRANSMIT THIS DRAWING IN ANY MANNER WITHOUT THE WRITTEN PERMISSION OF TI AUTOMOTIVE. ALL RIGHTS RESERVED. THIS DRAWING IS UNCLASSIFIED.