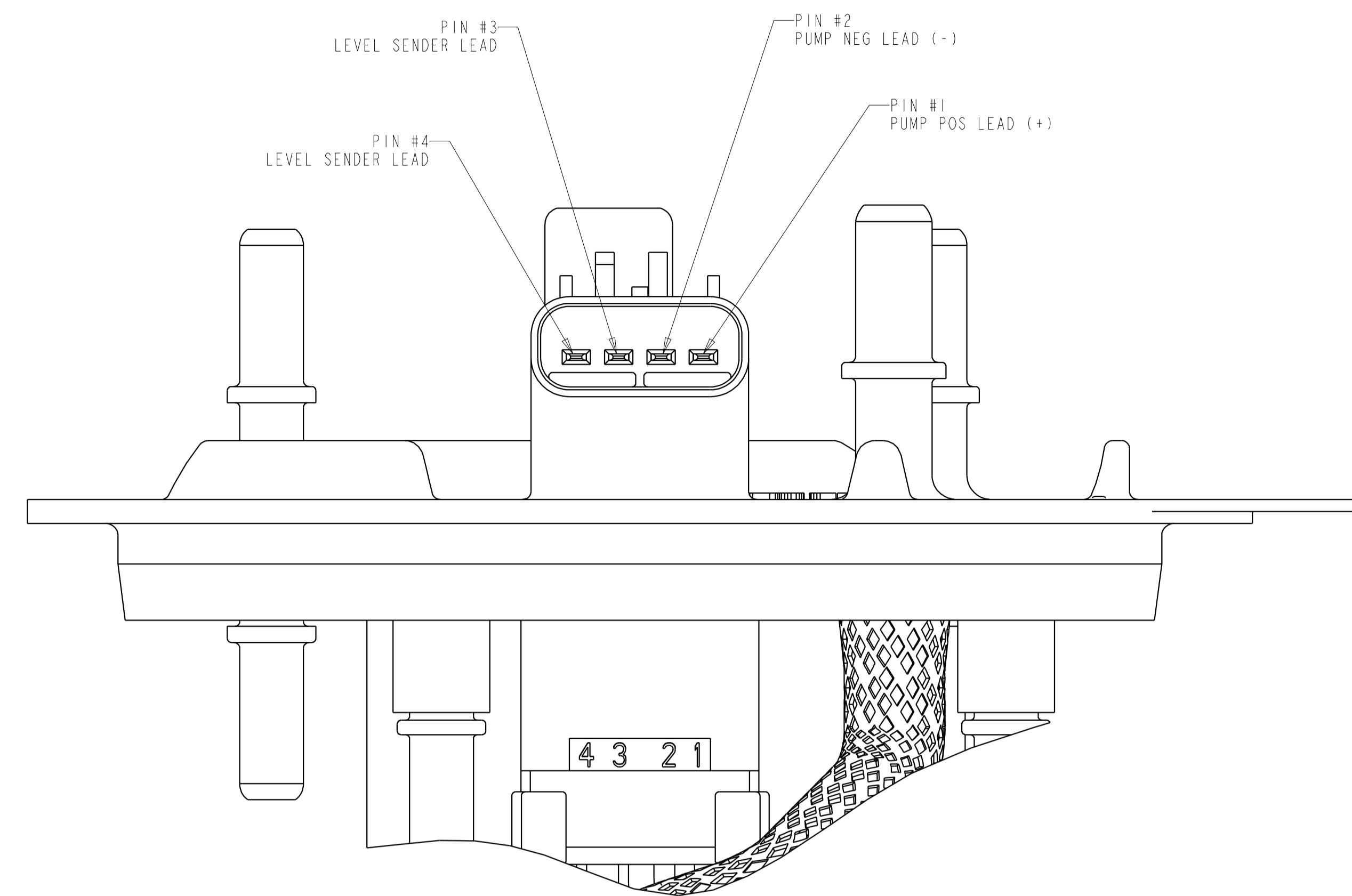
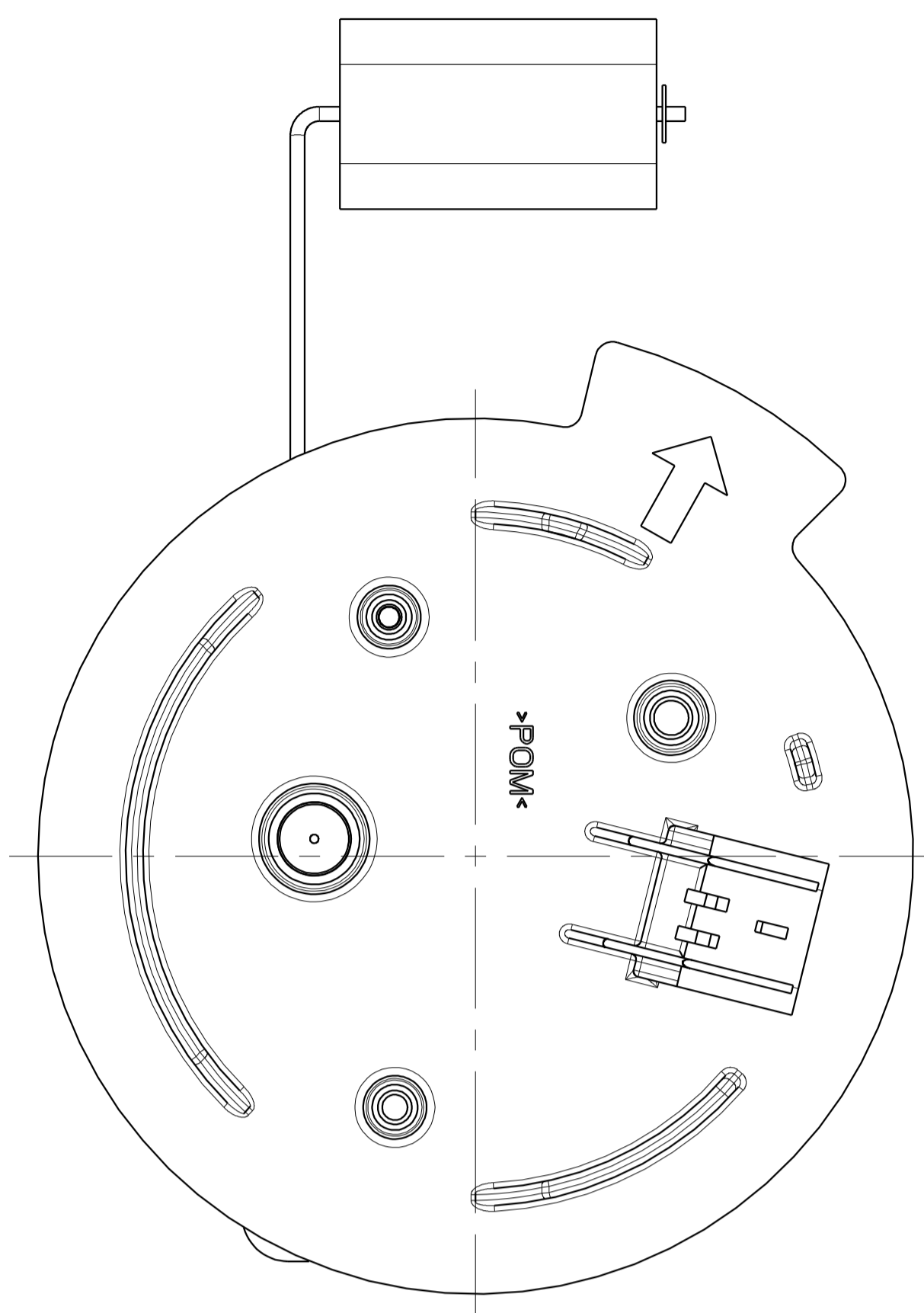
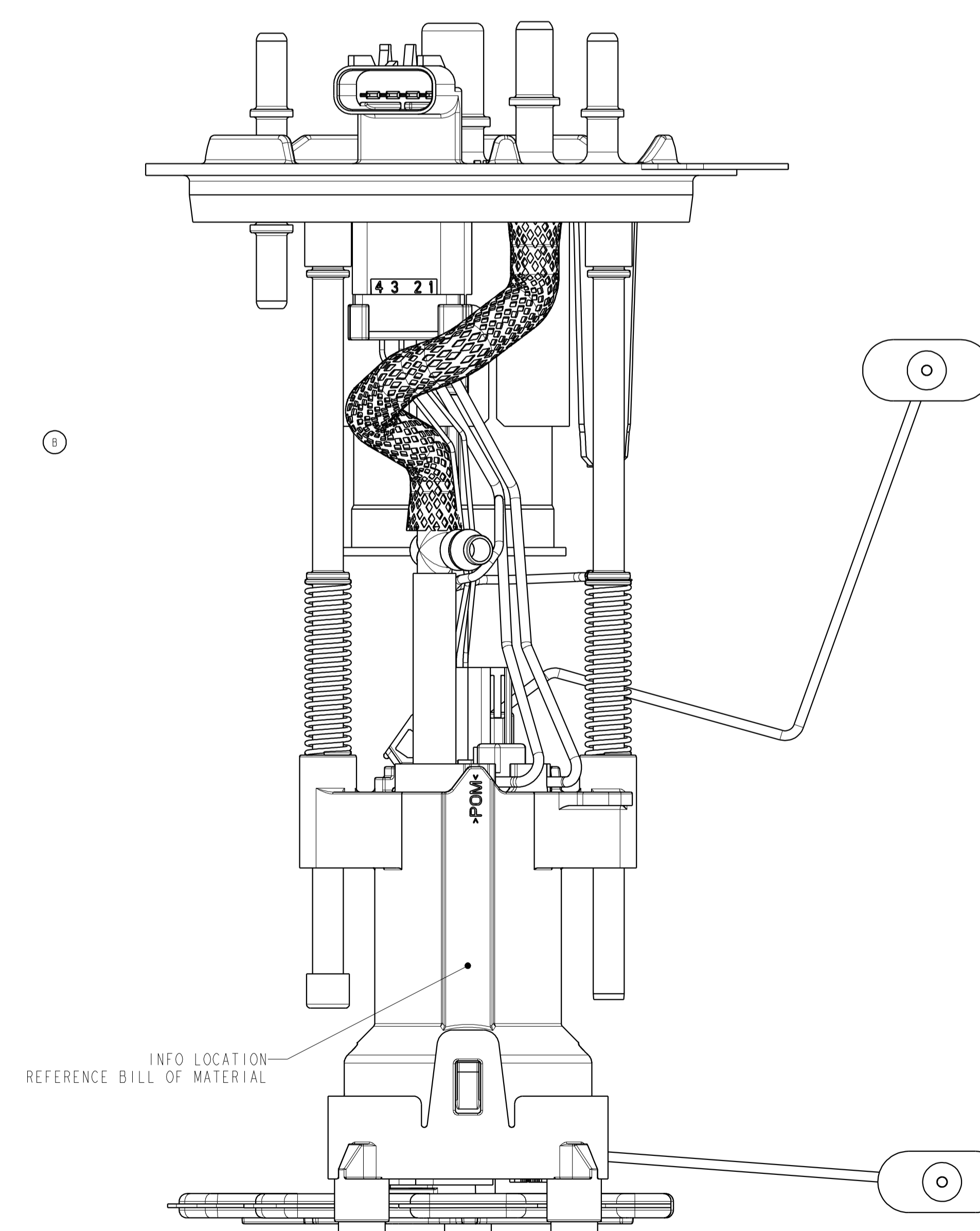
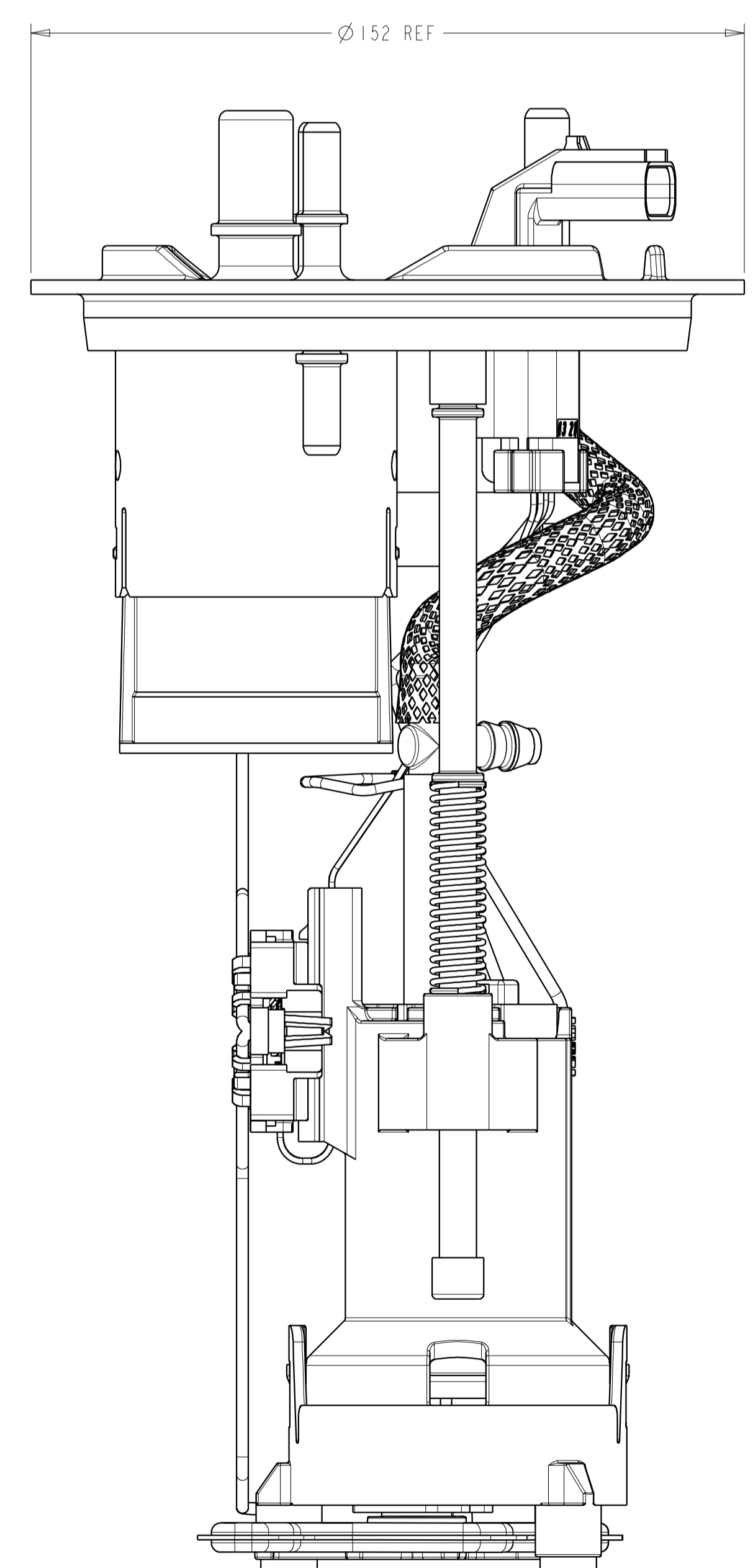
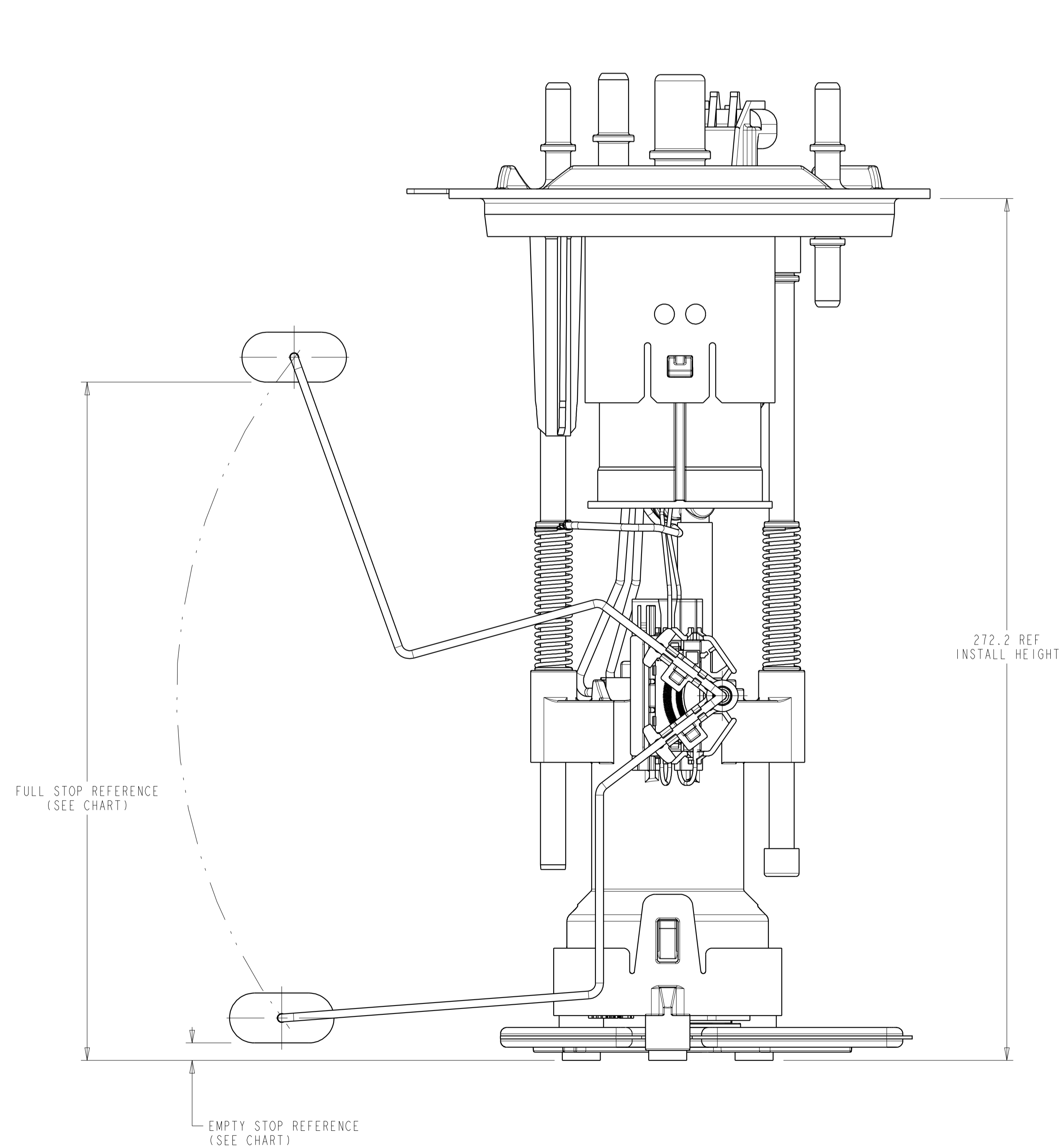


REVISIONS						
ZONE	LTR	DESCRIPTION	CHANGE No	DATE	BY	APPR'D
	A	RELEASED FOR QUOTE	DR28118	13AUG10	RMB	BLM
9-E	B	ADD SLEEVE TO SUPPLY TUBE	DR29136	16NOV10	RMB	BLM
	C	RELEASED FOR PRODUCTION	C'481	28JAN11	RMB	BLM



E-CONNECTOR PIN OUT DETAIL
PARTIAL VIEW IN DIRECTION OF ARROW "X"
SCALE 2:1



LEVEL SENDER UNIT HEIGHT VS RESISTANCE		
FLOAT POSITION	HEIGHT (mm)	RESISTANCE (Ohms)
FULL STOP	213.7 REF	160 ± 4
EMPTY STOP	5.0 REF	16 ± 2

- NOTES:
- SPECIAL CUSTOMER PACKAGING REQUIREMENTS MAY CALL FOR THE ADDITION OF SPECIFIC LABELS NOT SHOWN ON THIS DRAWING.
 - MODULE TO BE PACKAGED USING COMPONENTS NOTED ON BOM SO THAT CONTAMINATION FROM FOREIGN MATERIAL IS PREVENTED:
- PLUG PROTECTORS ON PORTS
- POLY BAG
 - SHOWN WIRE ROUTING MAY DIFFER FROM FINISHED PRODUCT.

METRIC
ALL DIMENSIONS ARE IN MILLIMETERS

DO NOT SCALE

DECIMAL TOLERANCES UNLESS OTHERWISE SPECIFIED
ONE PLACE ±0.25 TWO PLACE ±0.13 ANGLES ±1°

THIRD ANGLE PROJECTION
DIMENSIONS IN ACCORDANCE WITH ASME Y14.5 - 2009

TI Automotive
630 COLUMBIA ST.
CARO, MI 48123
+1 989.673.7127

ENGINEER	B. WIDDLETON	13AUG2010	MATERIAL SPECIFICATION
DES. MANAGER			N/A
DESIGNER	R. BRUBAKER	13AUG2010	
CAD SYSTEM: PROVE	SCALE: 1:1	SHEET NO. 1 OF 1	
REFERENCE TO: AR0028529/AC	PART REFERENCE: 000103527AA		
REFERENCE TO: A0	DRAWING NO: TU272HP		

THIS DRAWING IS UNLESS OTHERWISE SPECIFIED TO BE MADE IN THE UNITED STATES OF AMERICA. ALL DIMENSIONS ARE IN MILLIMETERS UNLESS OTHERWISE SPECIFIED. THIS DRAWING IS THE PROPERTY OF TI AUTOMOTIVE. IT IS TO BE USED FOR THE PURPOSES OF MANUFACTURE BY OR FOR THE EXCLUSIVE USE OF TI AUTOMOTIVE. IT IS TO BE KEPT IN CONFIDENTIALITY AND NOT TO BE REPRODUCED OR TRANSMITTED IN ANY FORM OR BY ANY MEANS, ELECTRONIC OR MECHANICAL, INCLUDING PHOTOCOPYING, RECORDING, OR BY ANY INFORMATION STORAGE AND RETRIEVAL SYSTEM. WITHOUT PERMISSION IN WRITING FROM TI AUTOMOTIVE, THIS DRAWING IS TO BE KEPT IN CONFIDENTIALITY. ALL RIGHTS RESERVED.