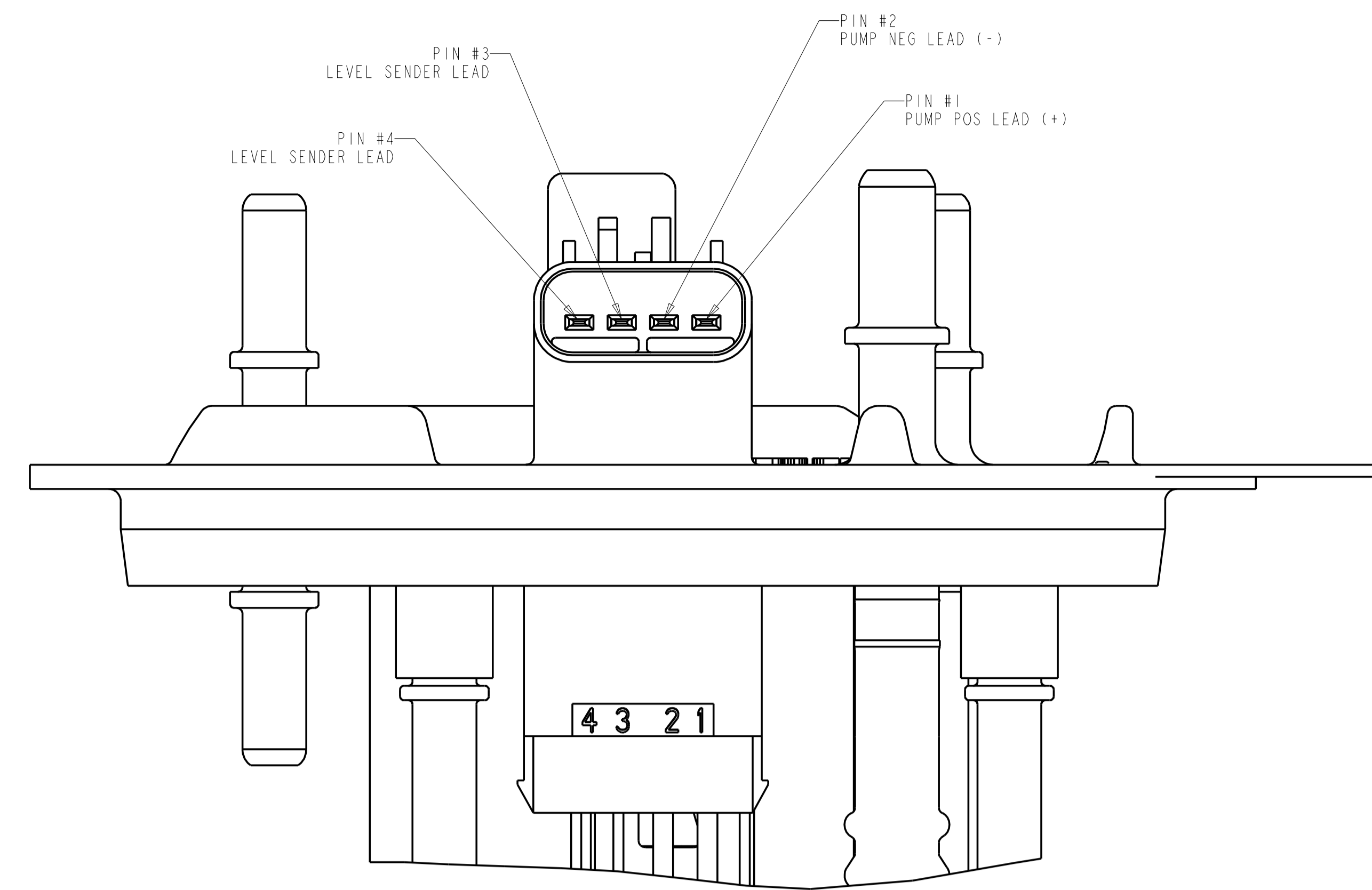
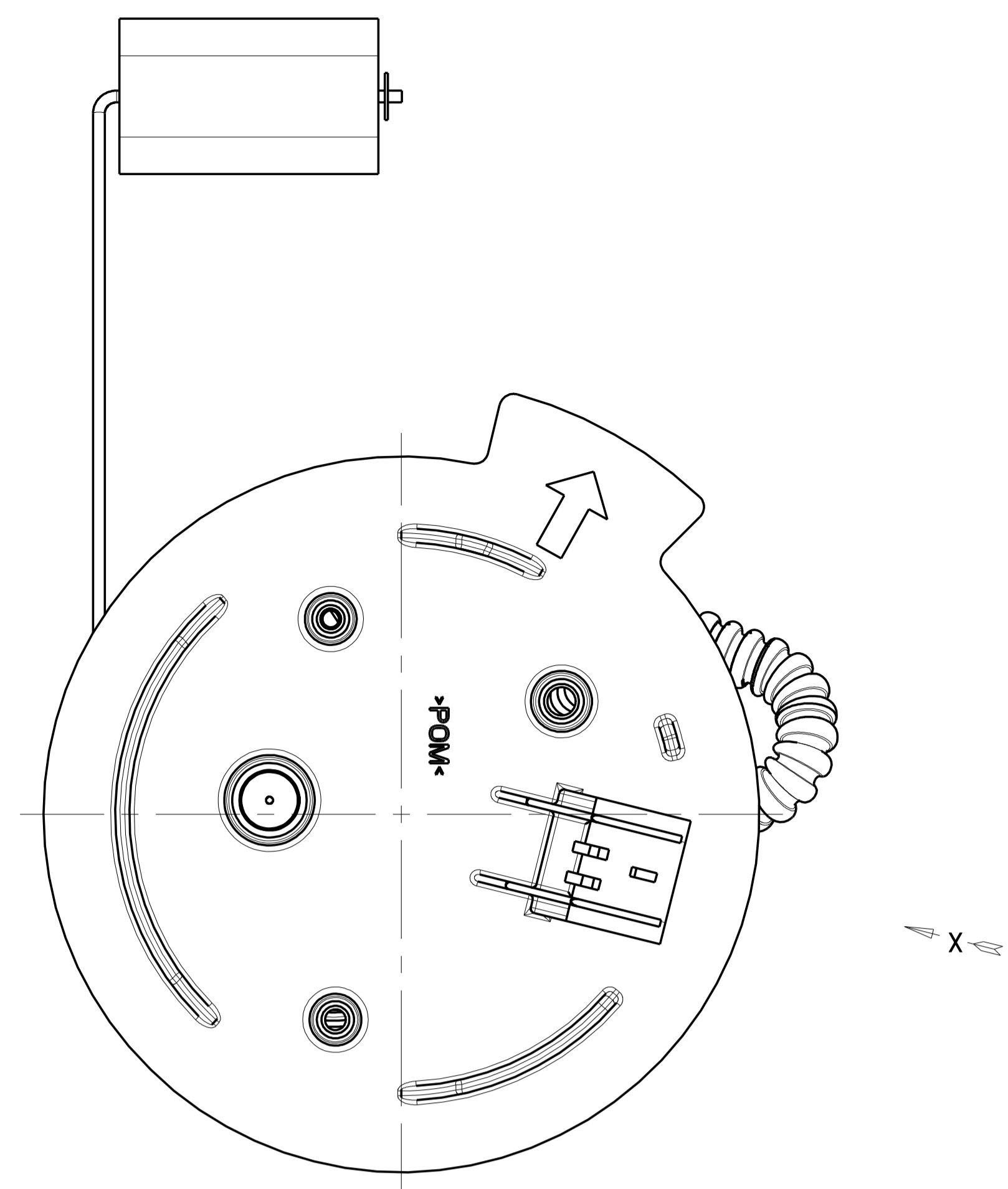
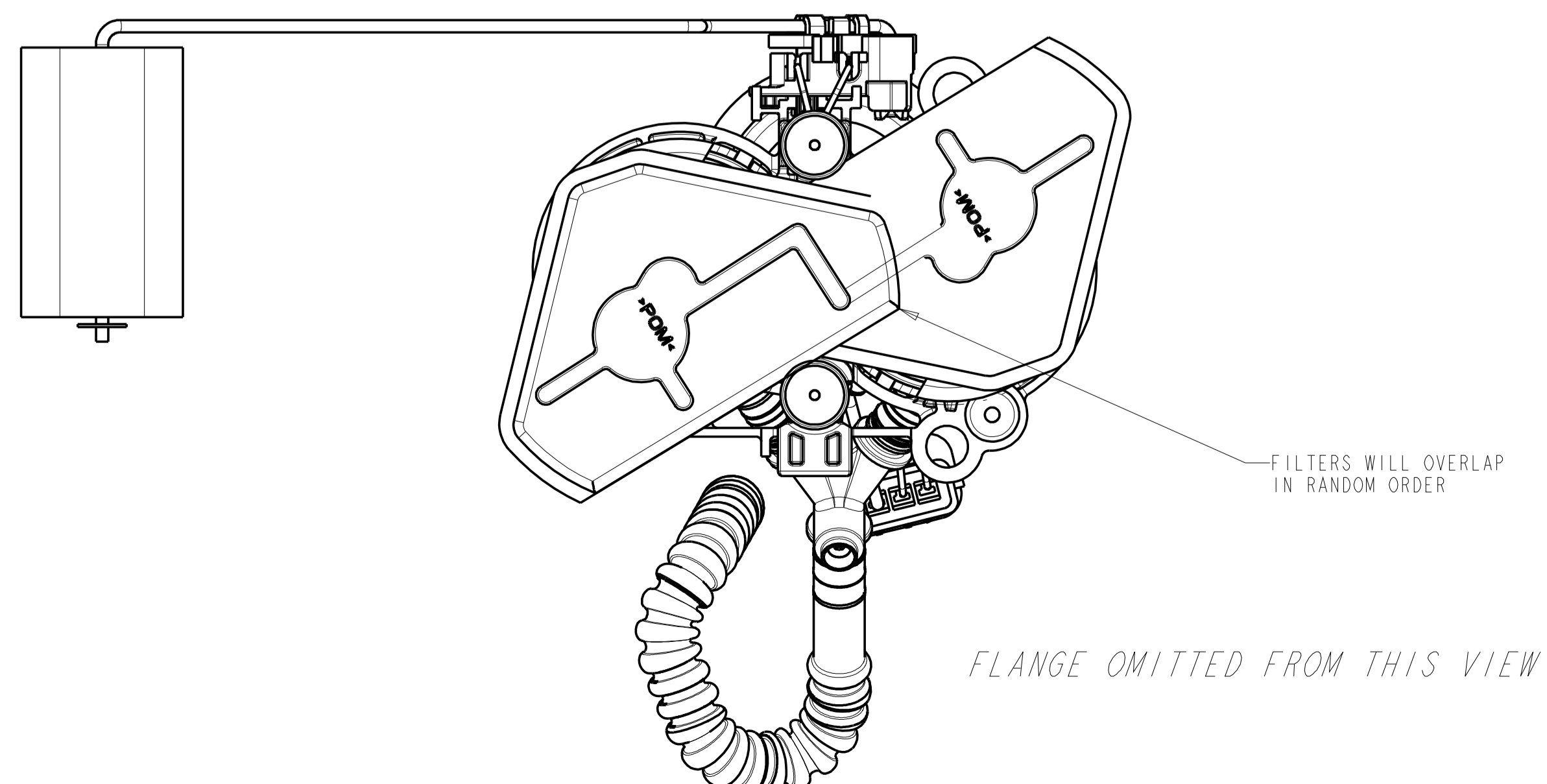
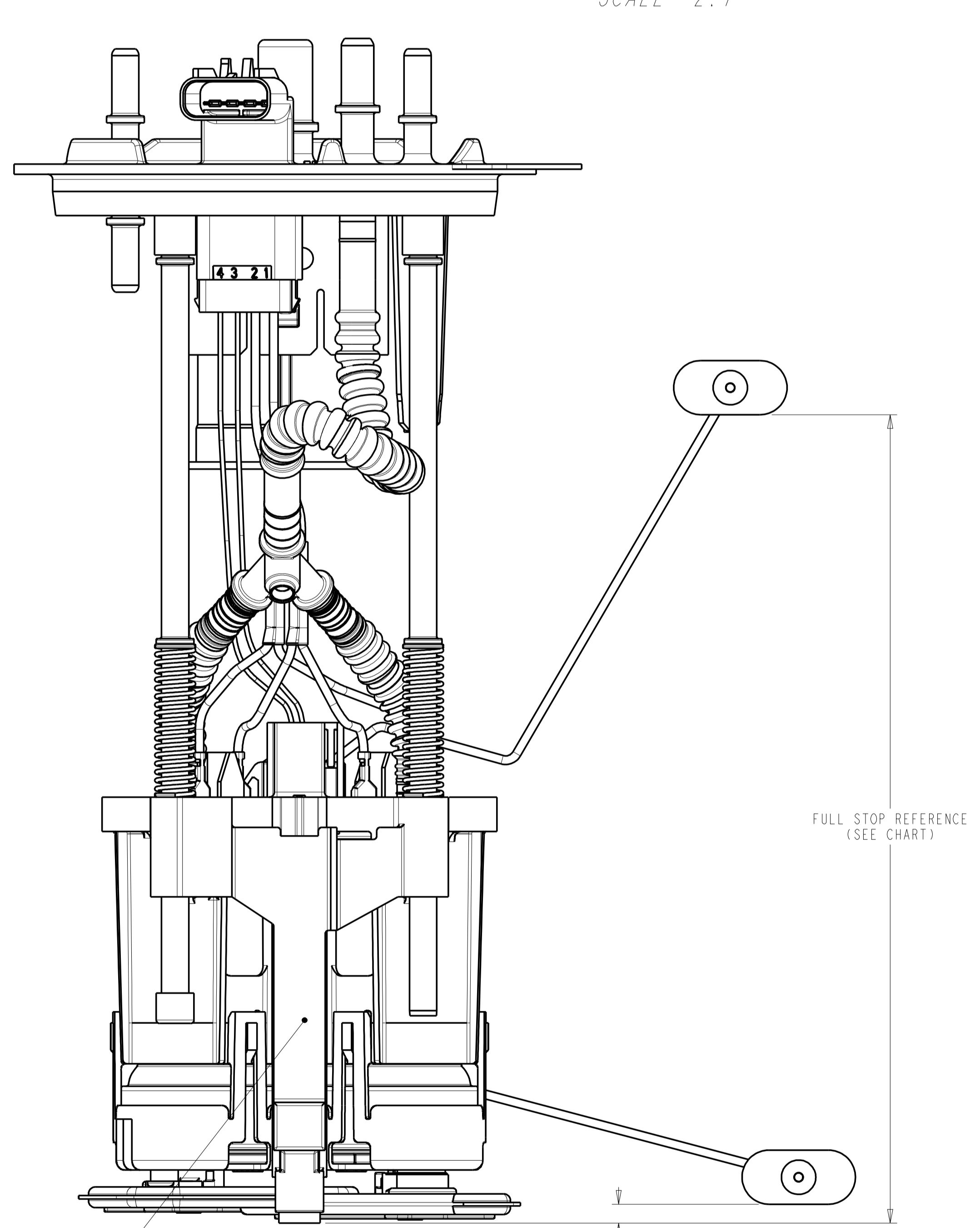
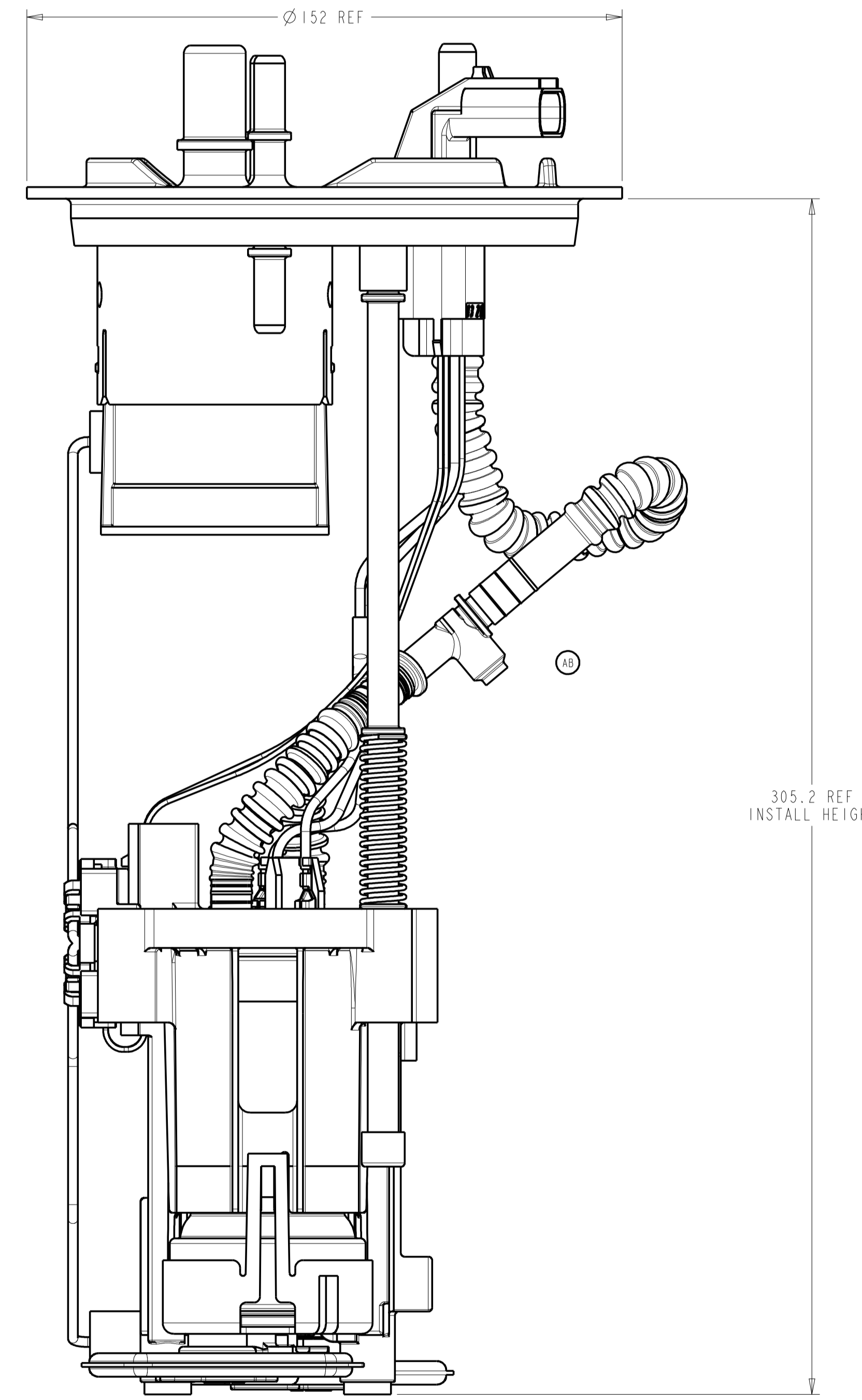
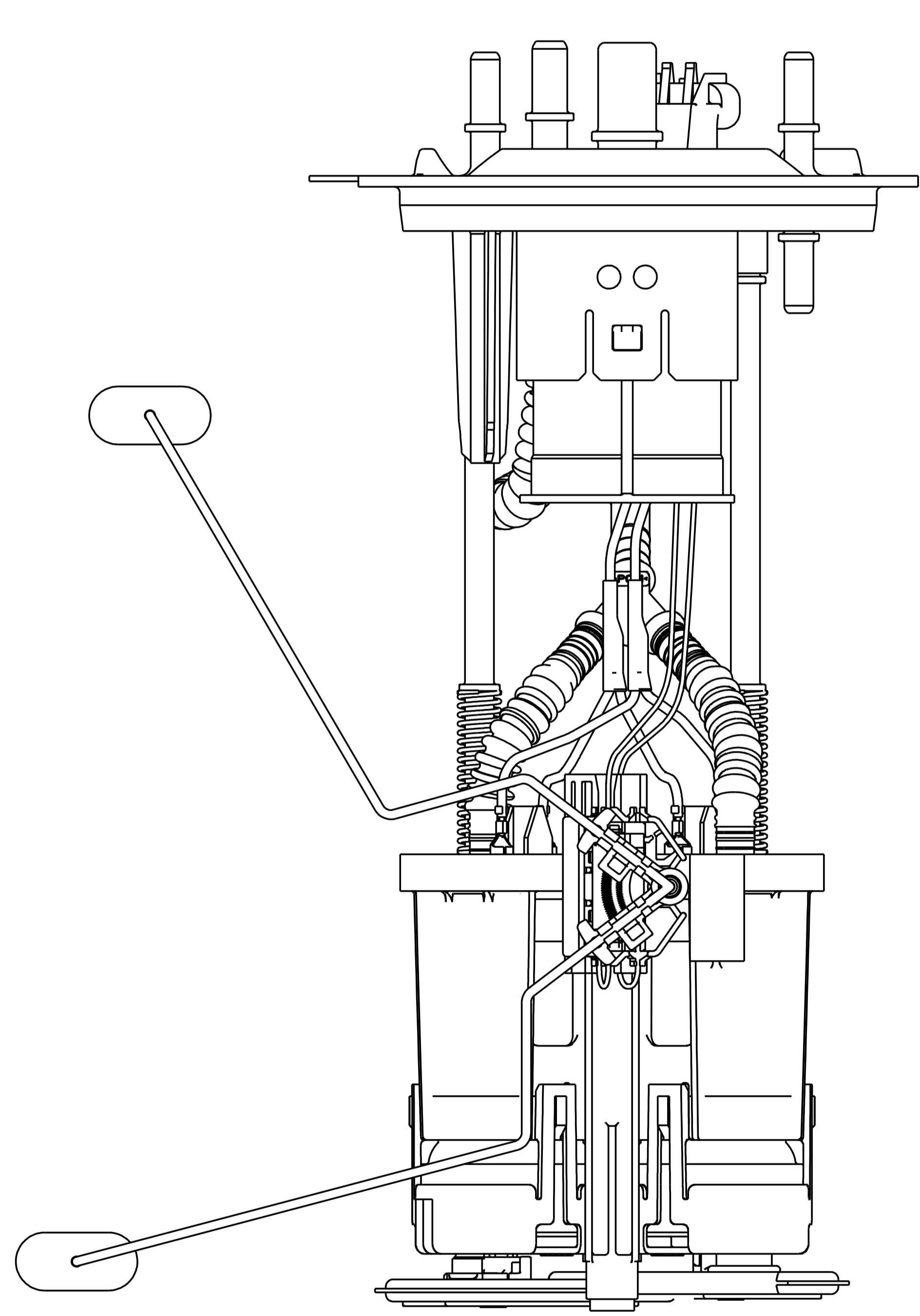


REVISIONS						
ZONE	LTR	DESCRIPTION	CHANGE No	DATE	BY	APPR'D
AA		INITIAL RELEASE	DR48399	09JUL14	RMB	BLM
AB		REVISED TUBES, SHORTER LENGTH	DR51017	24FEB15	RMB	BLM



E-CONNECTOR PIN OUT DETAIL  
PARTIAL VIEW IN DIRECTION OF ARROW "X"  
SCALE 2:1



FLOAT POSITION	HEIGHT (mm)	RESISTANCE (Ohms)
FULL STOP	235.0 REF	160 ± 4
EMPTY STOP	5.0 REF	16 ± 2

- NOTES:
- SPECIAL CUSTOMER PACKAGING REQUIREMENTS MAY CALL FOR THE ADDITION OF SPECIFIC LABELS NOT SHOWN ON THIS DRAWING.
  - MODULE TO BE PACKAGED USING COMPONENTS NOTED ON BOM SO THAT CONTAMINATION FROM FOREIGN MATERIAL IS PREVENTED:
    - PLUG PROTECTORS ON PORTS
    - POLY BAG
  - SHOWN WIRE ROUTING MAY DIFFER FROM FINISHED PRODUCT.

METRIC  
ALL DIMENSIONS ARE IN MILLIMETERS

DO NOT SCALE  
DECIMAL TOLERANCES UNLESS OTHERWISE SPECIFIED  
ONE PLACE ±0.25 TWO PLACE ±0.13 ANGLES ±1°

THIRD ANGLE PROJECTION  
DIMENSIONS IN ACCORDANCE WITH ASME Y14.5 - 2009

**TI Automotive**  
630 COLUMBIA ST  
CARO, MI 48123  
+1 989.673.7127

ENGINEER	B. WIDDLETON	07JUL2014	MATERIAL/SPECIFICATION:
DES. MANAGER			N/A
DESIGNER	R. BRUBAKER	07JUL2014	

CAD SYSTEM: PROVE SCALE: 1:1 SHEET NO. 1 OF 1

REFERENCE TYPICAL: PLM REF: 000112583/AA P/W REFERENCE TYPICAL: 2D: AR0037533/AB  
REFERENCE TYPICAL: P/W REFERENCE TYPICAL: 3D: AR0037531/AB

DRAWING NAME: FUEL MODULE OUTLINE  
TITLE: AD DRAWING NUMBER: TU271SF

▽ DENOTES SAFETY CHARACTERISTIC  
◊ DENOTES SIGNIFICANT CHARACTERISTIC  
○ DENOTES HIGH IMPACT CHARACTERISTIC

TI AUTOMOTIVE CONFIDENTIAL AND PROPRIETARY  
THIS DRAWING IS PROPERTY OF TI AUTOMOTIVE. ALL RIGHTS ARE RESERVED.  
REPRODUCTION OR TRANSMISSION OF THIS DOCUMENT WITHOUT EXPRESS WRITTEN PERMISSION FROM TI AUTOMOTIVE IS PROHIBITED.  
THE DRAWING IS PROVIDED FOR INFORMATION PURPOSES ONLY AND IS NOT TO BE USED FOR CONSTRUCTION OR MANUFACTURE OF ANY PARTS OR ASSEMBLIES.  
FOR MORE INFORMATION, CONTACT TI AUTOMOTIVE. ALL DIMENSIONS ARE IN MILLIMETERS UNLESS OTHERWISE SPECIFIED.  
© 2014 TI AUTOMOTIVE. ALL RIGHTS RESERVED.