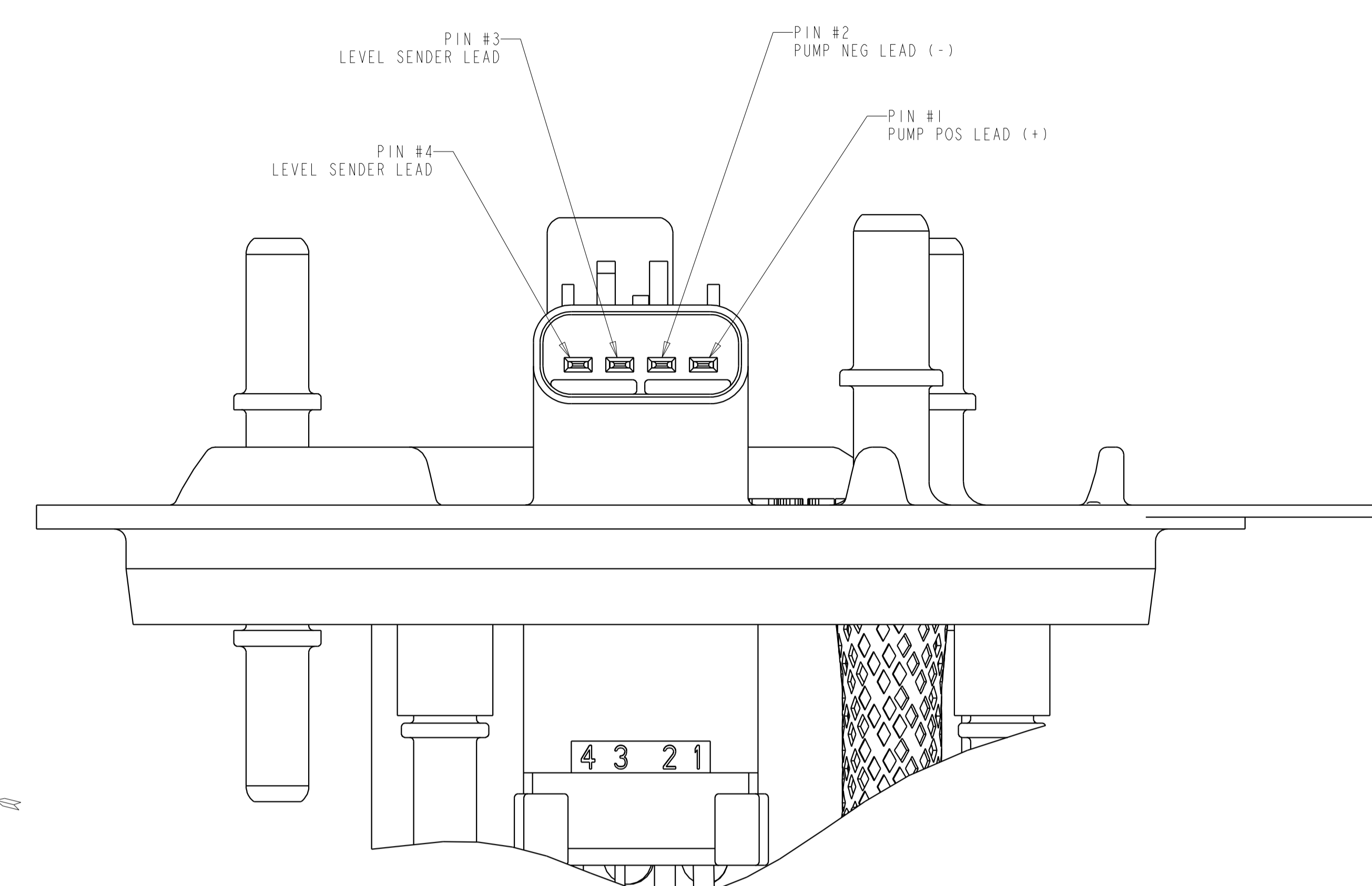
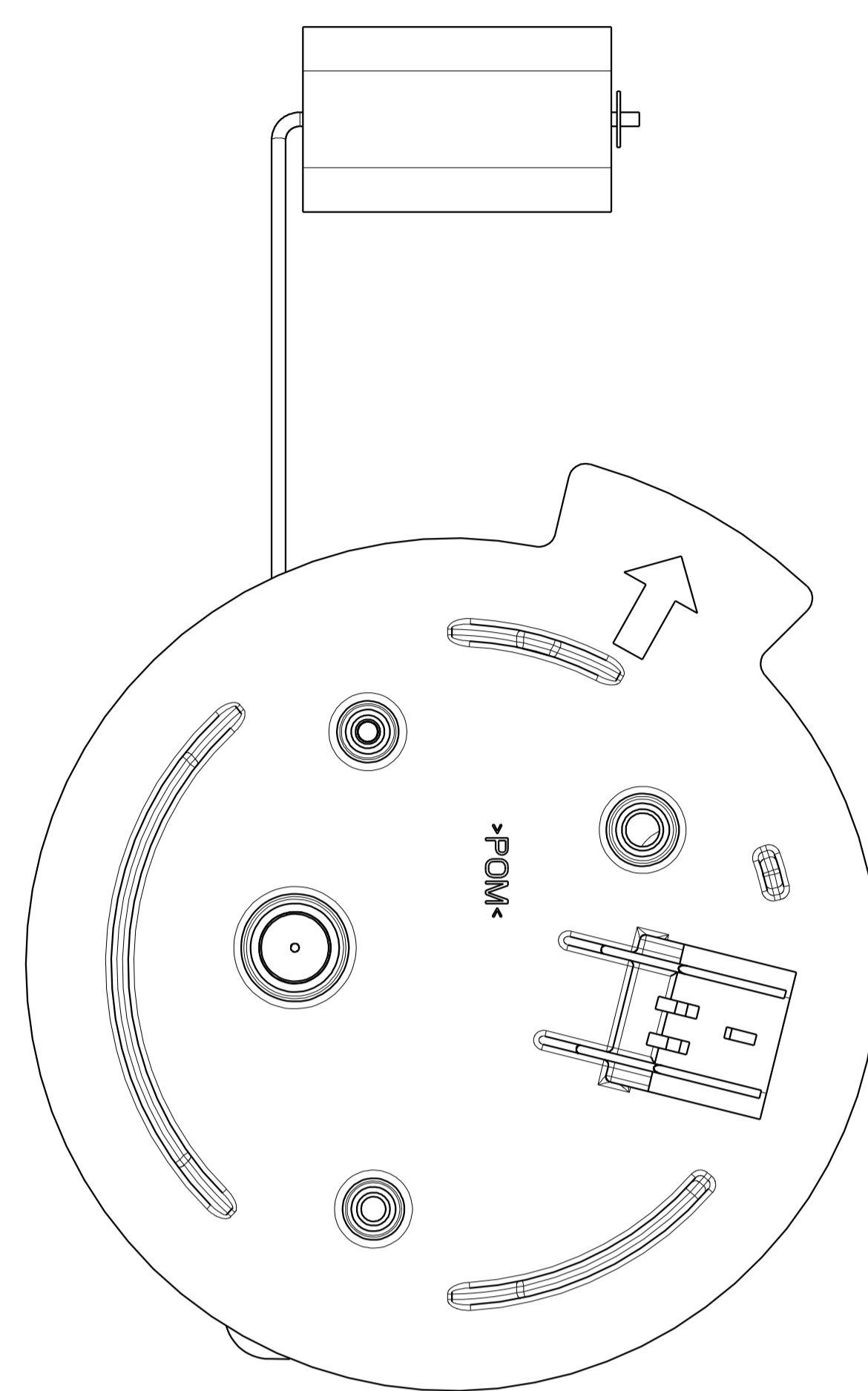
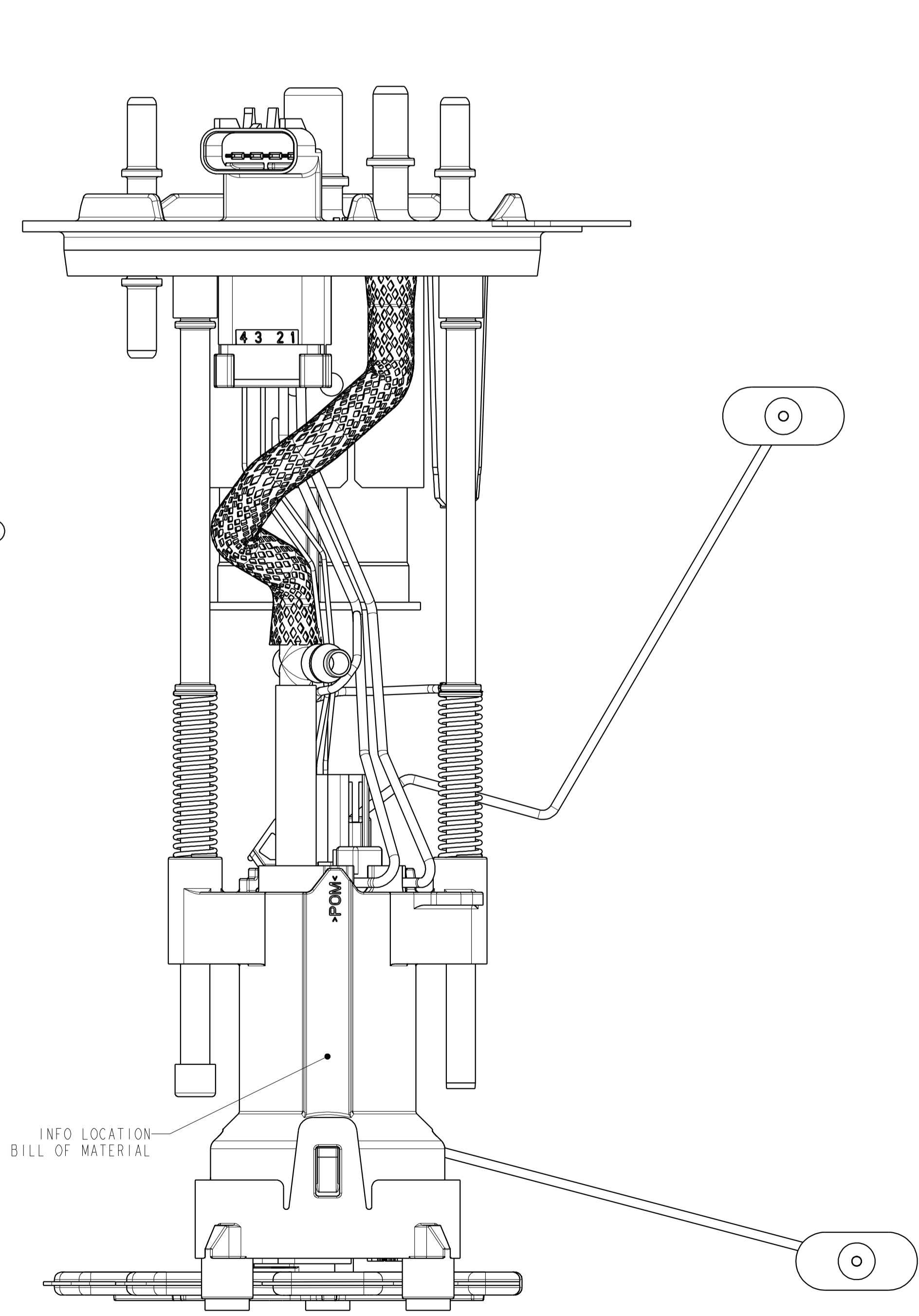
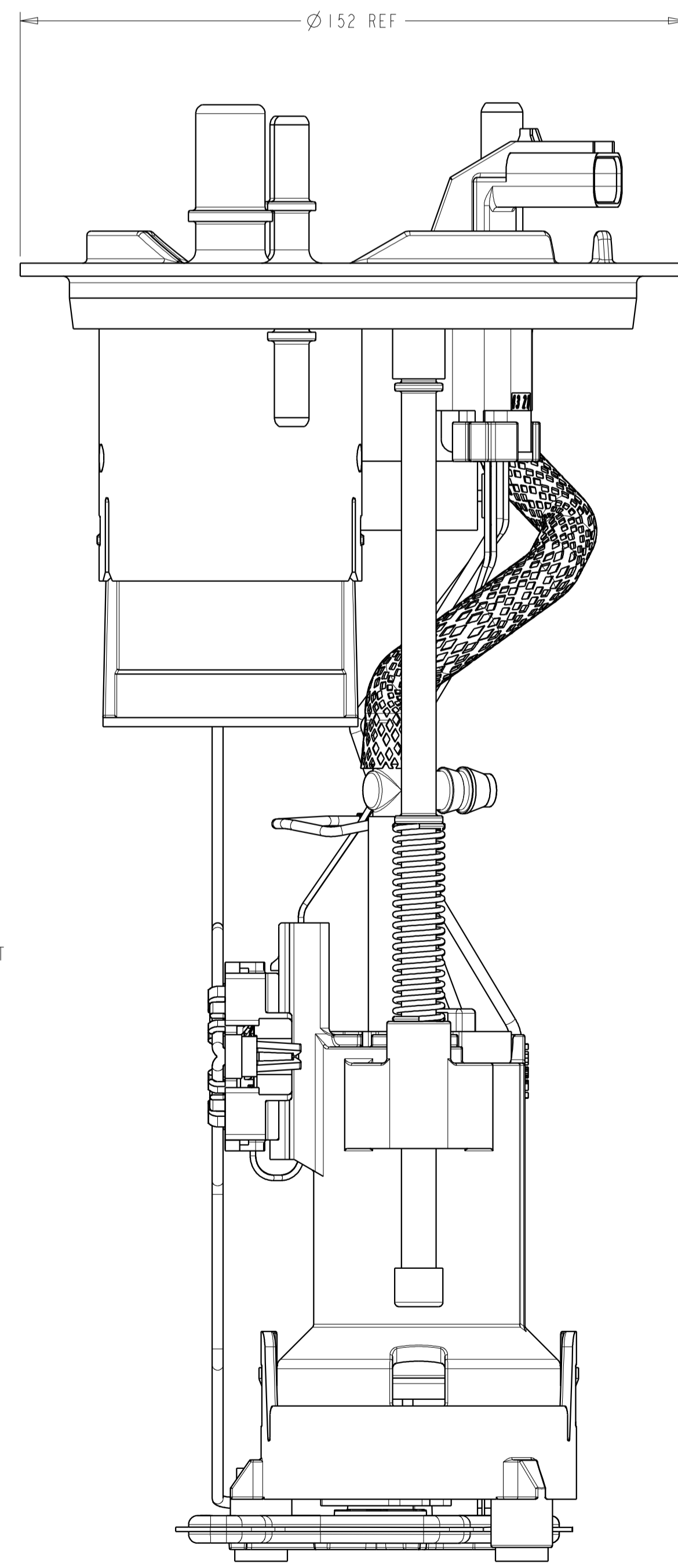
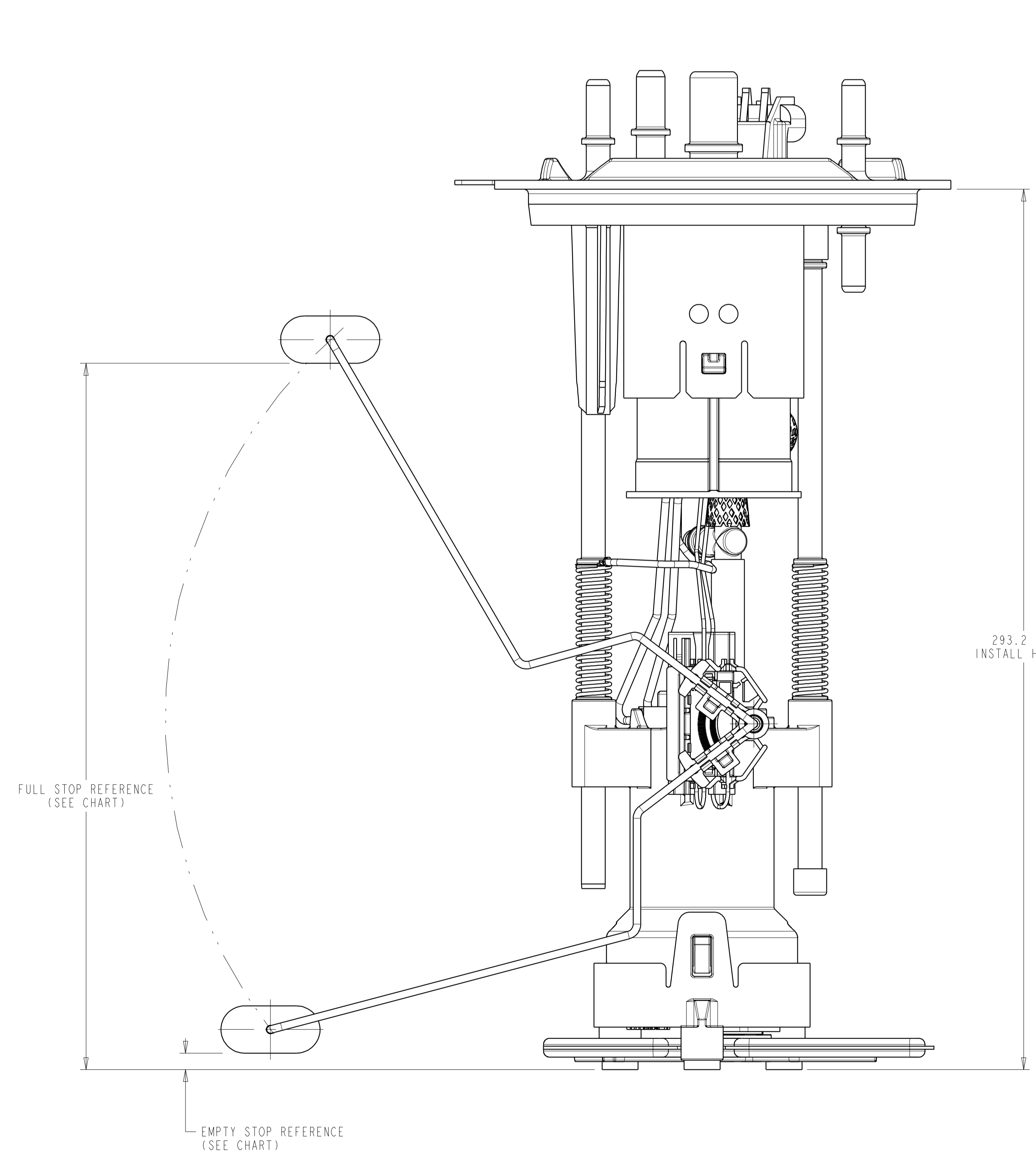


REVISIONS						
ZONE	LTR	DESCRIPTION	CHANGE No	DATE	BY	APPR'D
A		RELEASED FOR QUOTE	DR28118	12AUG10	RMB	BLM
9-E	B	ADD SLEEVE TO SUPPLY TUBE	DR29136	16NOV10	RMB	BLM
C		RELEASED FOR PRODUCTION	C'481	28JAN11	RMB	BLM



E-CONNECTOR PIN OUT DETAIL  
PARTIAL VIEW IN DIRECTION OF ARROW "X"  
SCALE 2:1



LEVEL SENDER UNIT HEIGHT VS RESISTANCE		
FLOAT POSITION	HEIGHT (mm)	RESISTANCE (Ohms)
FULL STOP	235.0 REF	160 ± 4
EMPTY STOP	5.0 REF	16 ± 2

- NOTES:
- SPECIAL CUSTOMER PACKAGING REQUIREMENTS MAY CALL FOR THE ADDITION OF SPECIFIC LABELS NOT SHOWN ON THIS DRAWING.
  - MODULE TO BE PACKAGED USING COMPONENTS NOTED ON BOM SO THAT CONTAMINATION FROM FOREIGN MATERIAL IS PREVENTED:  
- PLUG PROTECTORS ON PORTS  
- POLY BAG
  - SHOWN WIRE ROUTING MAY DIFFER FROM FINISHED PRODUCT.

METRIC  
ALL DIMENSIONS ARE IN MILLIMETERS

DO NOT SCALE

DECIMAL TOLERANCES UNLESS OTHERWISE SPECIFIED  
ONE PLACE ±0.25 TWO PLACE ±0.13 ANGLES ±1°

THIRD ANGLE PROJECTION

DIMENSIONS IN ACCORDANCE WITH ASME Y14.5 - 2009

**TI Automotive**  
630 COLUMBIA ST.  
CARO, MI 48123  
+1 989.673.7127

ENGINEER	B. WIDDLETON	12AUG2010	MATERIAL SPECIFICATION:
DESIGNER	R. BRUBAKER	12AUG2010	N/A
CAD SYSTEM: PROVE	SCALE: 1:1	SHEET NO. 1 OF 1	
REFERENCE TO FILE:	CAD: AR0028527AC	P/N REFERENCE FILE:	000103520AA
REFERENCE TO FILE:		P/N REFERENCE FILE:	

DRAWING NAME: FUEL MODULE OUTLINE (F150GAS,K-TANK)  
DRAWING NUMBER: A0 TU270HP

THIS DRAWING IS THE PROPERTY OF TI AUTOMOTIVE. IT IS UNLAWFUL TO REPRODUCE, COPY, OR TRANSMIT THIS DRAWING IN ANY MANNER WITHOUT THE WRITTEN PERMISSION OF TI AUTOMOTIVE. ANY UNAUTHORIZED REPRODUCTION OR TRANSMISSION OF THIS DRAWING IS STRICTLY PROHIBITED. TI AUTOMOTIVE ACCEPTS NO LIABILITY FOR DAMAGES OF ANY KIND, INCLUDING CONSEQUENTIAL DAMAGES, ARISING FROM THE USE OF THIS DRAWING. TI AUTOMOTIVE, TI AUTOMOTIVE LOGO, AND TI AUTOMOTIVE DESIGN ARE REGISTERED TRADEMARKS OF TI AUTOMOTIVE. © 2010 TI AUTOMOTIVE. ALL RIGHTS RESERVED.