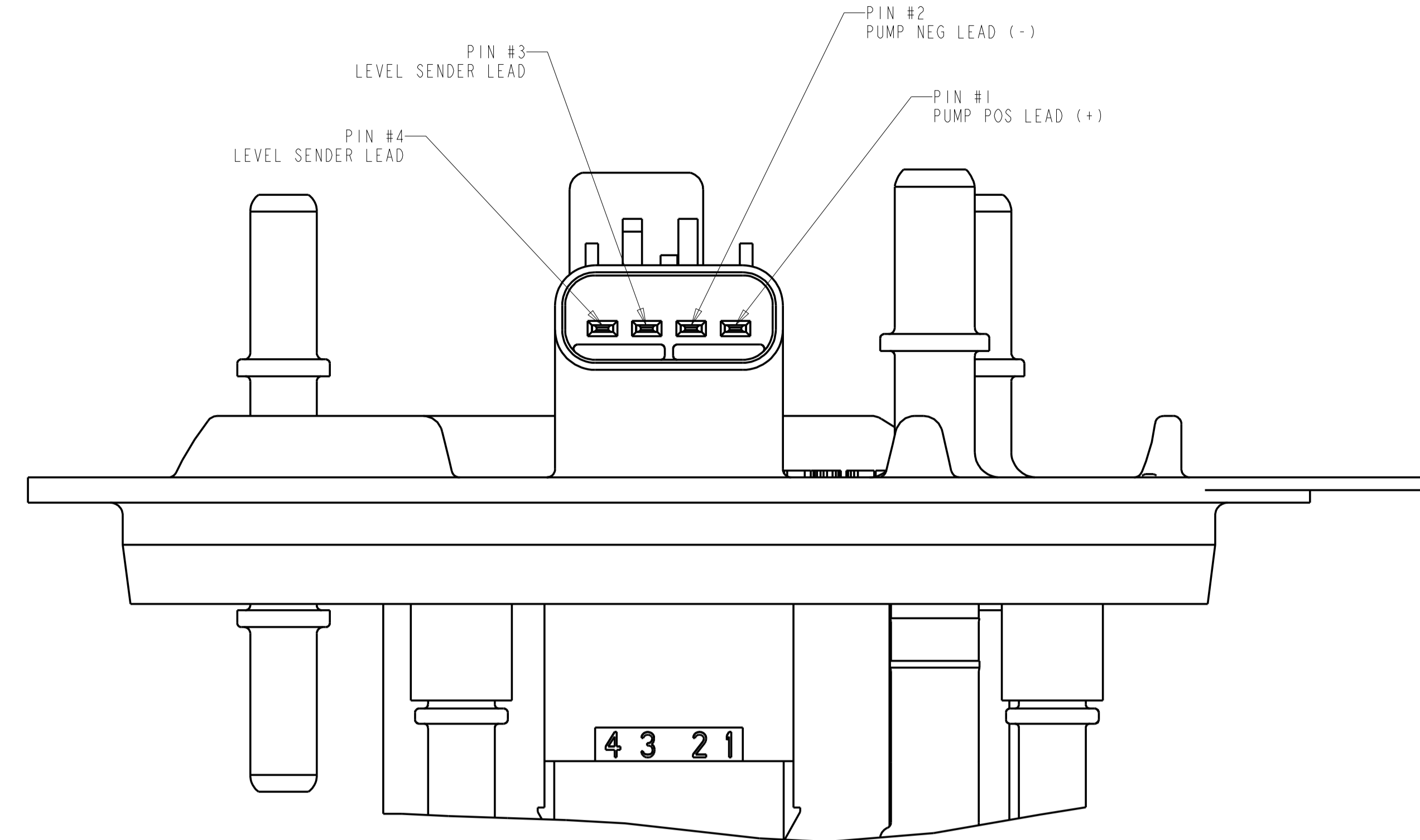
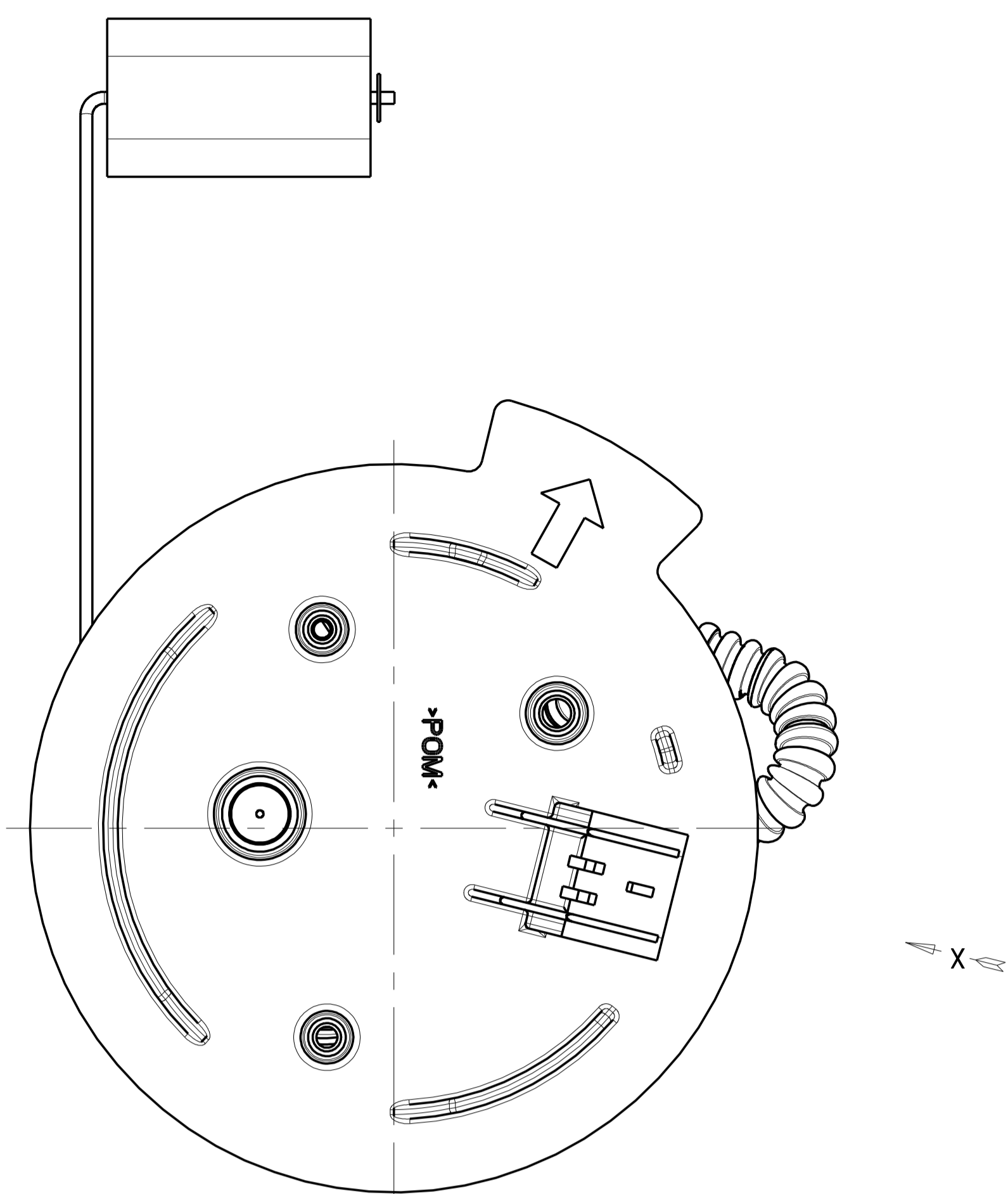
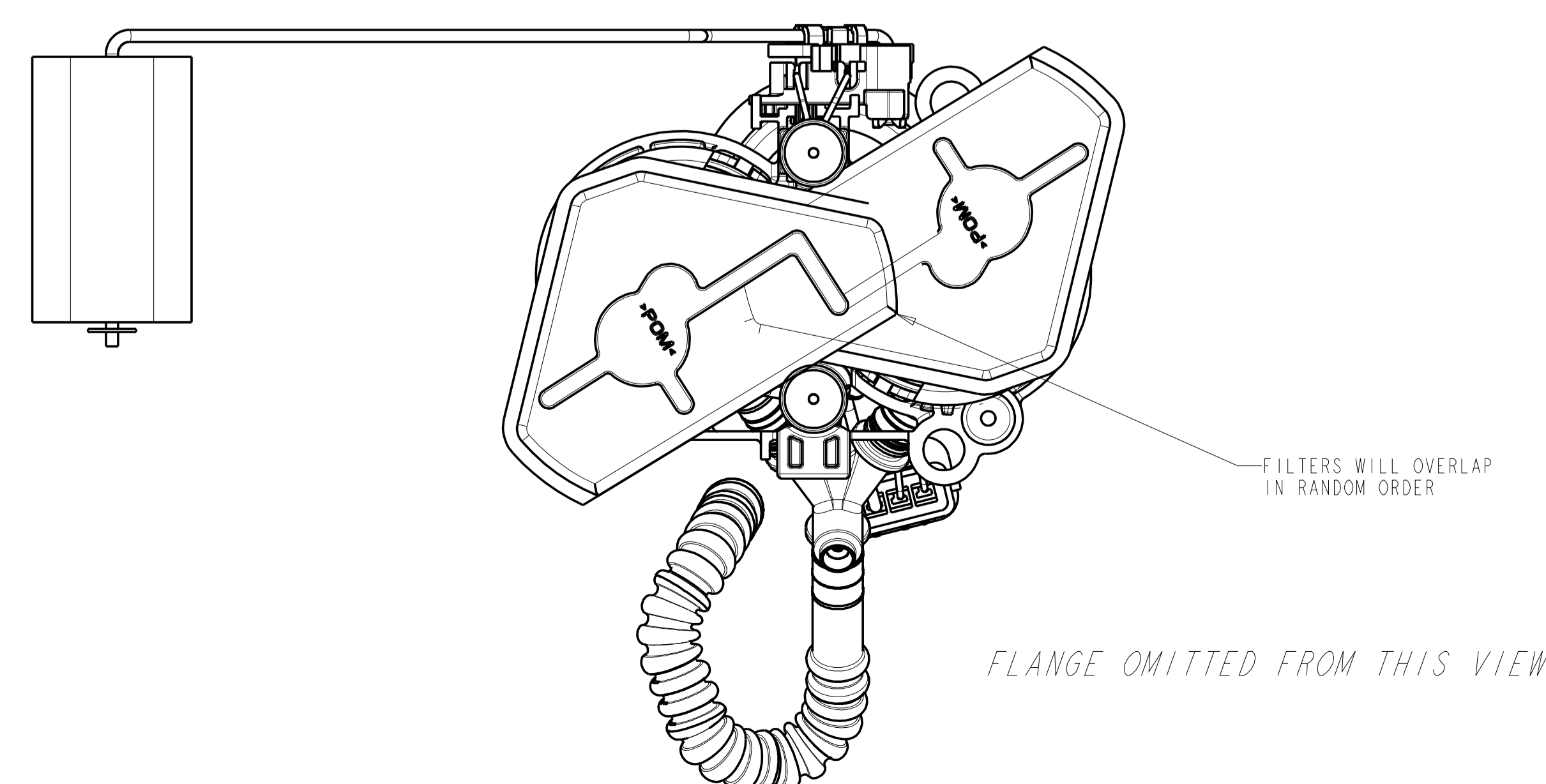
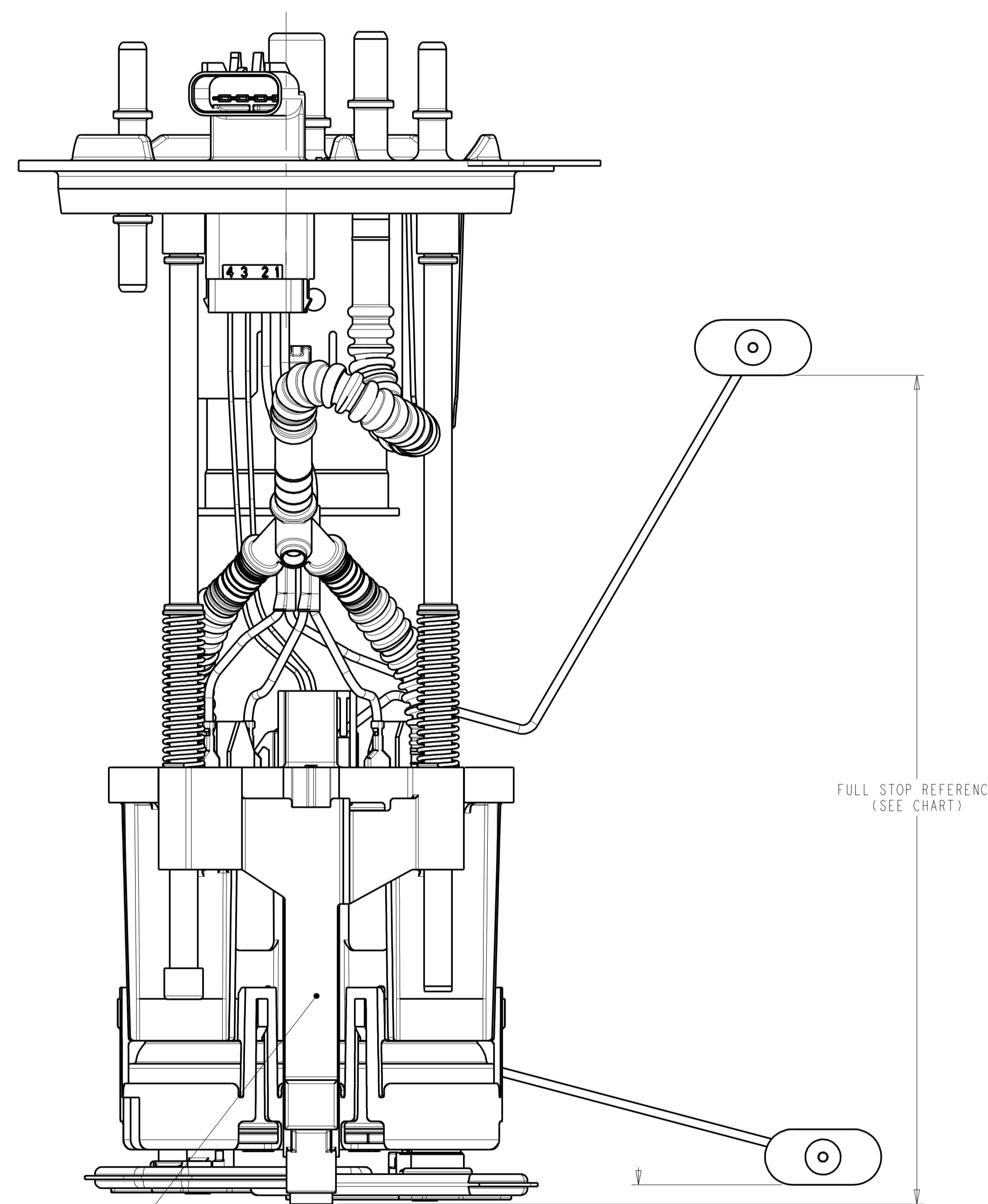
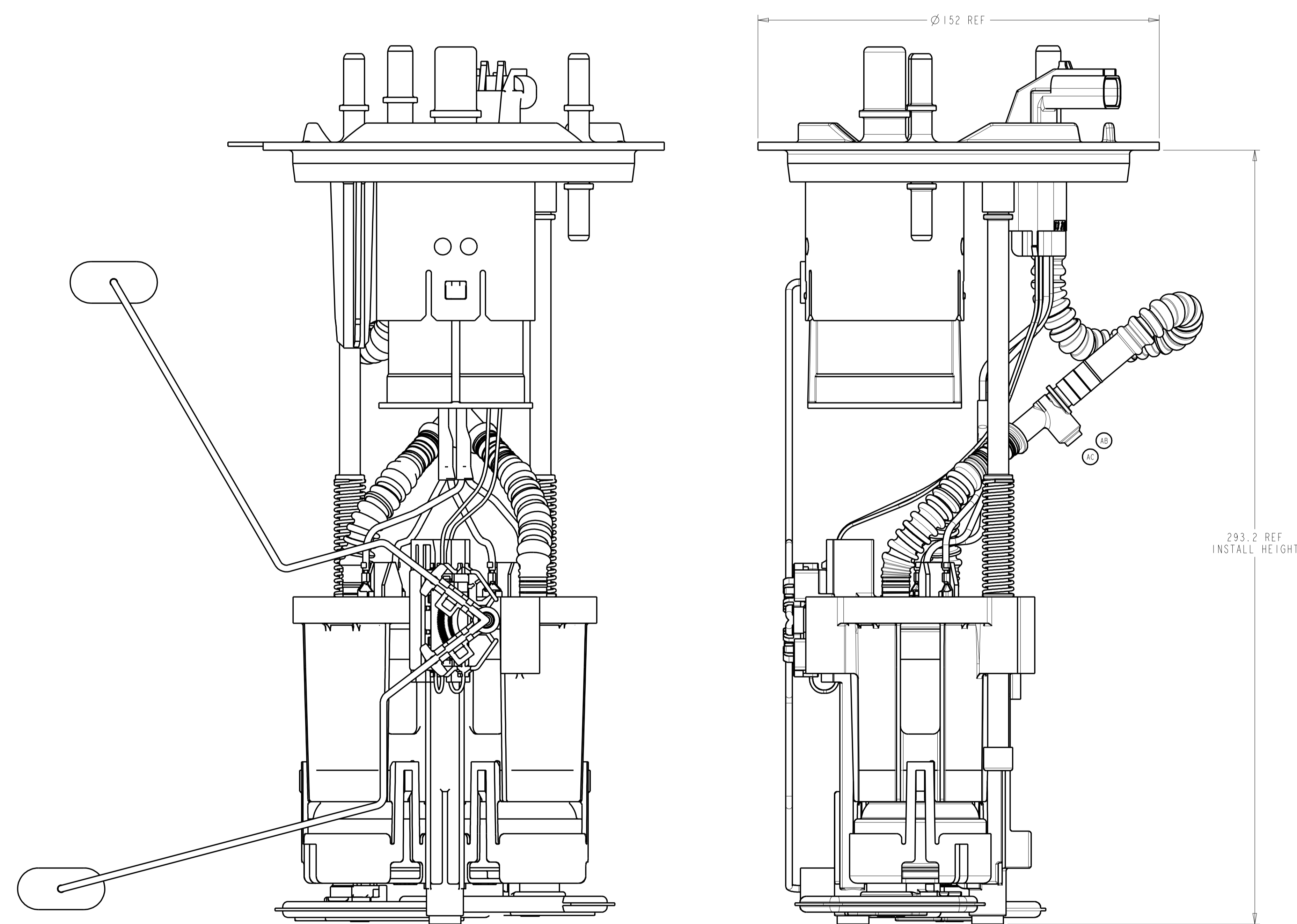


REVISIONS						
ZONE	LTR	DESCRIPTION	CHANGE No	DATE	BY	APPR'D
AA		INITIAL RELEASE	DR48396	09JUL14	RMB	BLM
AB		REVISED TUBES, SHORTER LENGTH	DR51015	09FEB15	RMB	BLM
AC		REMOVE Y-FIT FORMED END REOM T	DR51236	24FEB15	RMB	BLM



E-CONNECTOR PIN OUT DETAIL  
PARTIAL VIEW IN DIRECTION OF ARROW "X"  
SCALE 2:1



INFO LOCATION  
REFERENCE BILL OF MATERIAL

EMPTY STOP REFERENCE  
(SEE CHART)

FLOAT POSITION	HEIGHT (mm)	RESISTANCE (Ohms)
FULL STOP	235.0 REF	160 ± 4
EMPTY STOP	5.0 REF	16 ± 2

- NOTES:
- SPECIAL CUSTOMER PACKAGING REQUIREMENTS MAY CALL FOR THE ADDITION OF SPECIFIC LABELS NOT SHOWN ON THIS DRAWING.
  - MODULE TO BE PACKAGED USING COMPONENTS NOTED ON BOM SO THAT CONTAMINATION FROM FOREIGN MATERIAL IS PREVENTED:  
- PLUG PROTECTORS ON PORTS  
- POLY BAG
  - SHOWN WIRE ROUTING MAY DIFFER FROM FINISHED PRODUCT.

METRIC  
ALL DIMENSIONS ARE IN MILLIMETERS

DO NOT SCALE

DECIMAL TOLERANCES UNLESS OTHERWISE SPECIFIED:  
ONE PLACE ±0.25 TWO PLACE ±0.13 ANGLES ±1°

THIRD ANGLE PROJECTION

DIMENSIONS IN ACCORDANCE WITH ASME Y14.5 - 2009

**TI Automotive**  
630 COLUMBIA ST  
CARO, MI 48123  
+1 989.673.7127

ENGINEER	B. WIDDLETON	ISMA12014	MATERIAL SPECIFICATION
DES. MANAGER			N/A
DESIGNER	R. BRUBAKER	ISMA12014	

CAD SYSTEM: PROVE SCALE: 1:1 SHEET NO. 1 OF 1

REFERENCE FRAME: PLM REF: 000112581/AA P/W REFERENCE KEY: 2D: AR0031171/AC  
REFERENCE FRAME: 3D: AR0031169/AC

DATE: AD DRAWING NUMBER: TU269SF

▽ DENOTES SMETN CHARACTERISTIC  
◊ DENOTES SIGNIFICANT CHARACTERISTIC  
○ DENOTES HIGH IMPACT CHARACTERISTIC

THIS DRAWING IS PROPERTY OF TI AUTOMOTIVE. IT IS HEREBY RELEASED FROM ALL RIGHTS OF THE OBJECT INVENTOR AND INVENTOR'S EMPLOYER. THE DRAWING IS PROVIDED FOR THE EXCLUSIVE USE OF THE CUSTOMER. IT IS TO BE USED ONLY FOR THE PROJECT AND FOR THE PARTS LISTED THEREIN. IT IS TO BE KEPT IN CONFIDENTIALITY AND NOT TO BE REPRODUCED OR TRANSMITTED IN ANY FORM OR BY ANY MEANS, ELECTRONIC OR MECHANICAL, INCLUDING PHOTOCOPYING, RECORDING, OR BY ANY INFORMATION STORAGE AND RETRIEVAL SYSTEM. ANY UNAUTHORIZED REPRODUCTION OR TRANSMISSION OF THIS DRAWING IS STRICTLY PROHIBITED. TI AUTOMOTIVE ASSUMES NO LIABILITY FOR DAMAGES OF ANY KIND, INCLUDING CONSEQUENTIAL DAMAGES, ARISING FROM THE USE OF THIS DRAWING. THE USER OF THIS DRAWING SHALL BE RESPONSIBLE FOR OBTAINING ALL NECESSARY PERMITS AND APPROVALS FROM THE APPROPRIATE AUTHORITIES. THIS DRAWING IS THE PROPERTY OF TI AUTOMOTIVE. IT IS HEREBY RELEASED FROM ALL RIGHTS OF THE OBJECT INVENTOR AND INVENTOR'S EMPLOYER.