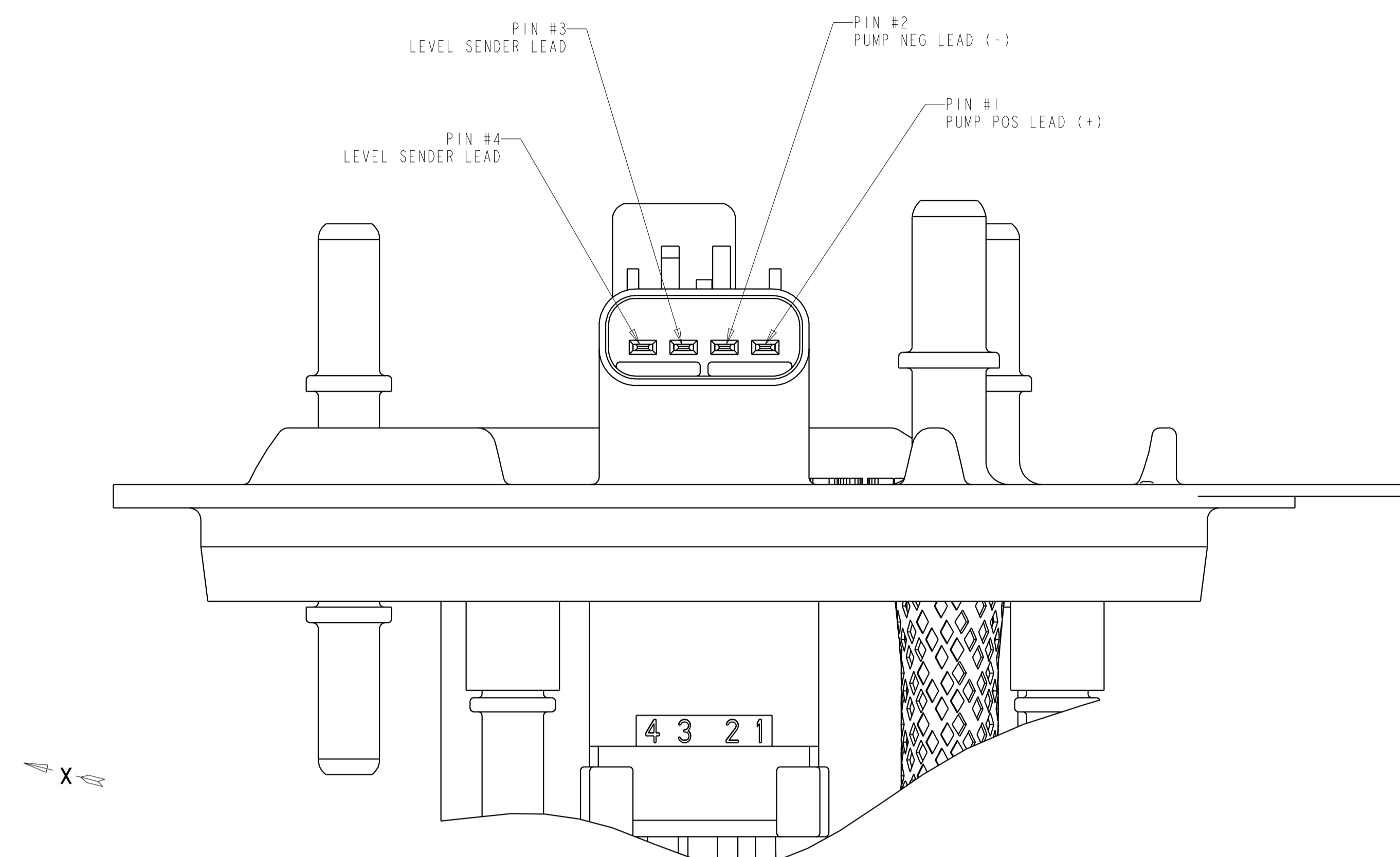
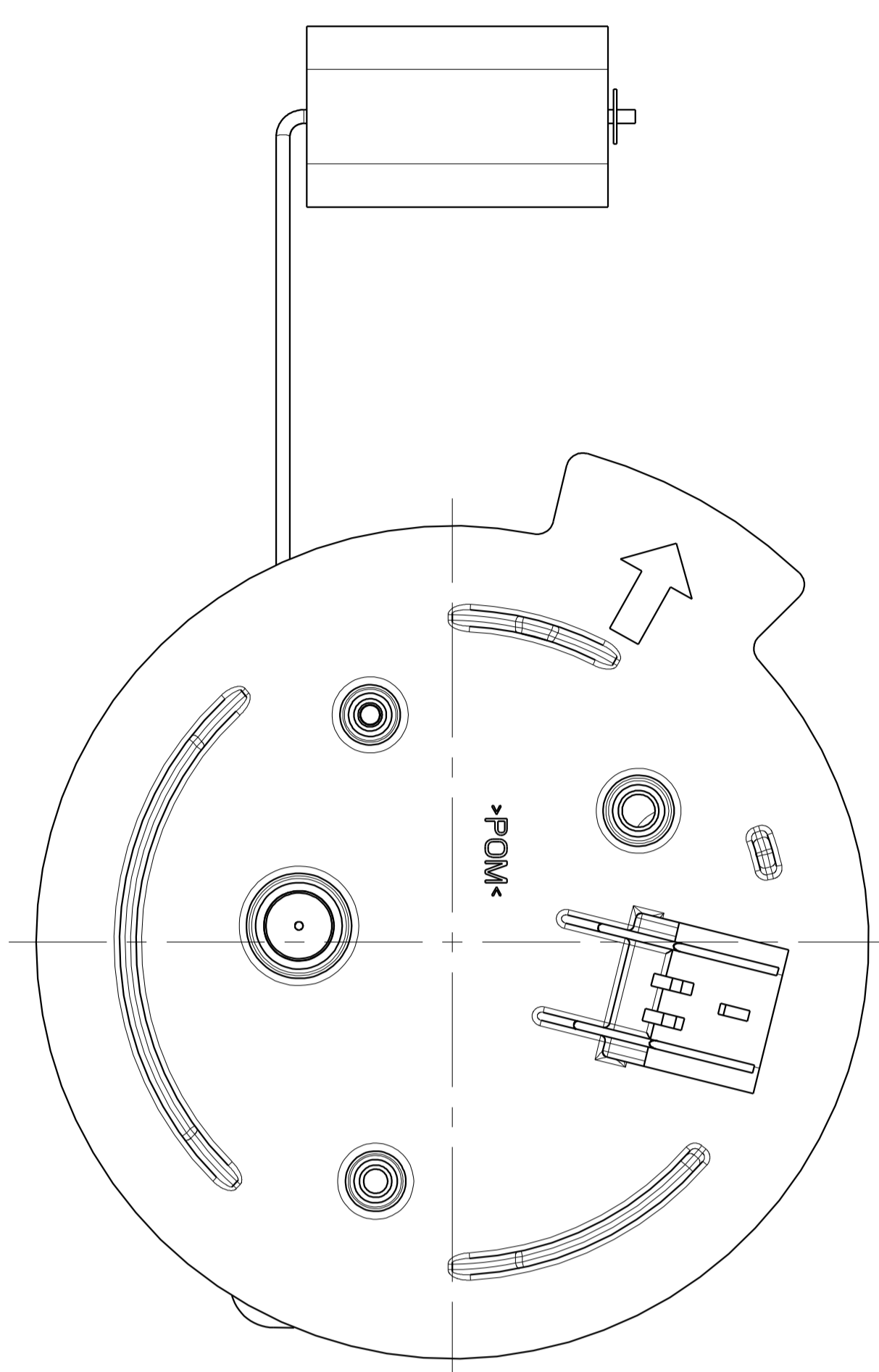
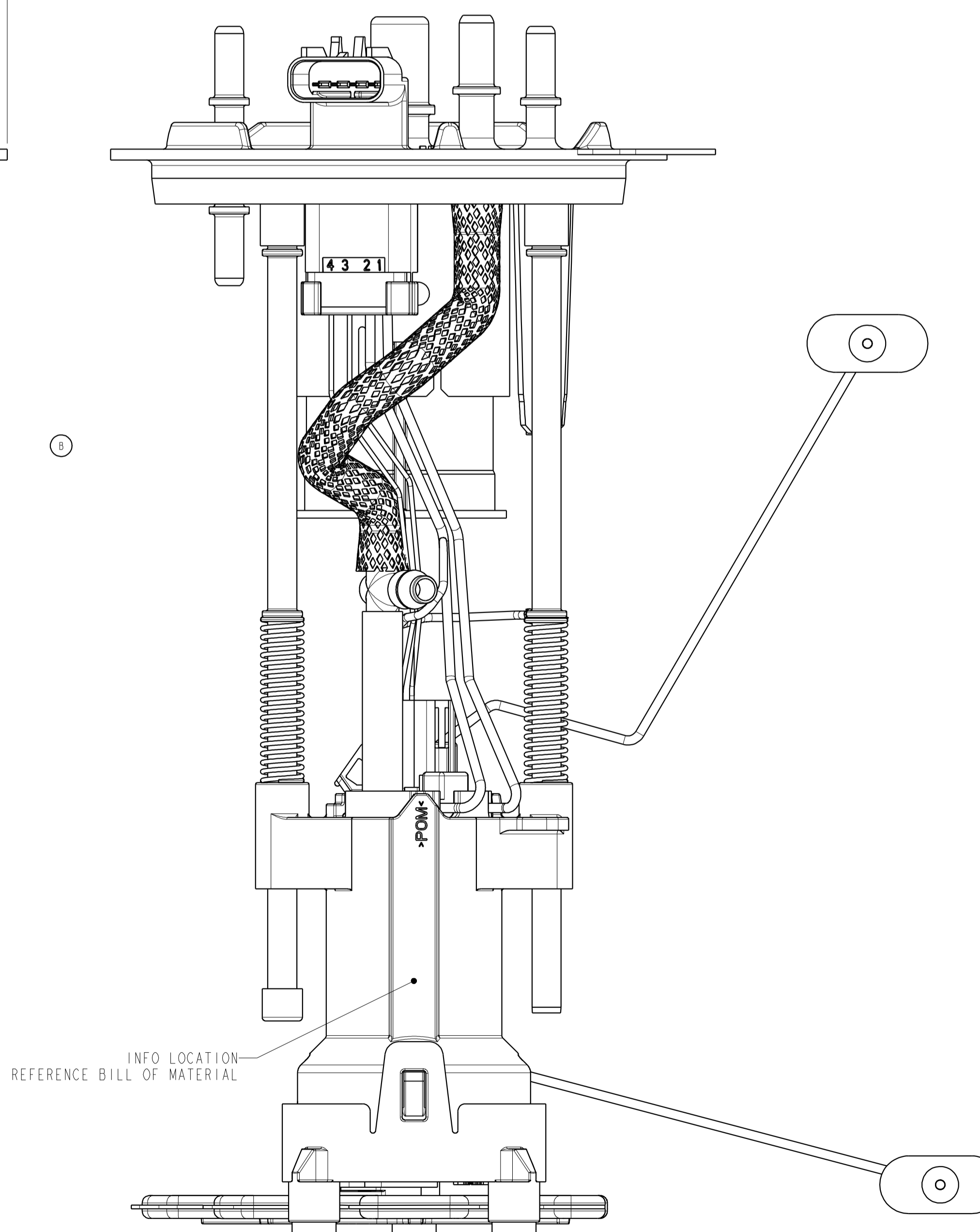
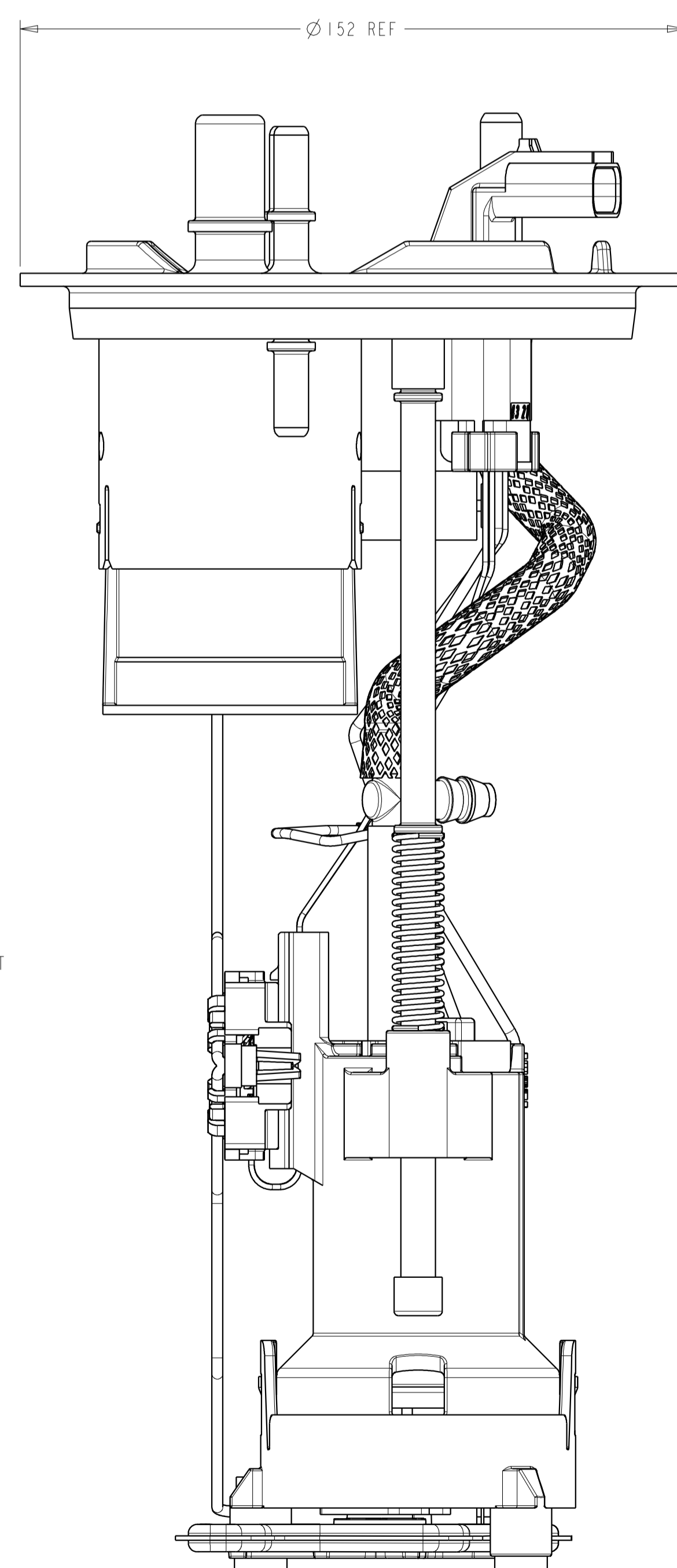
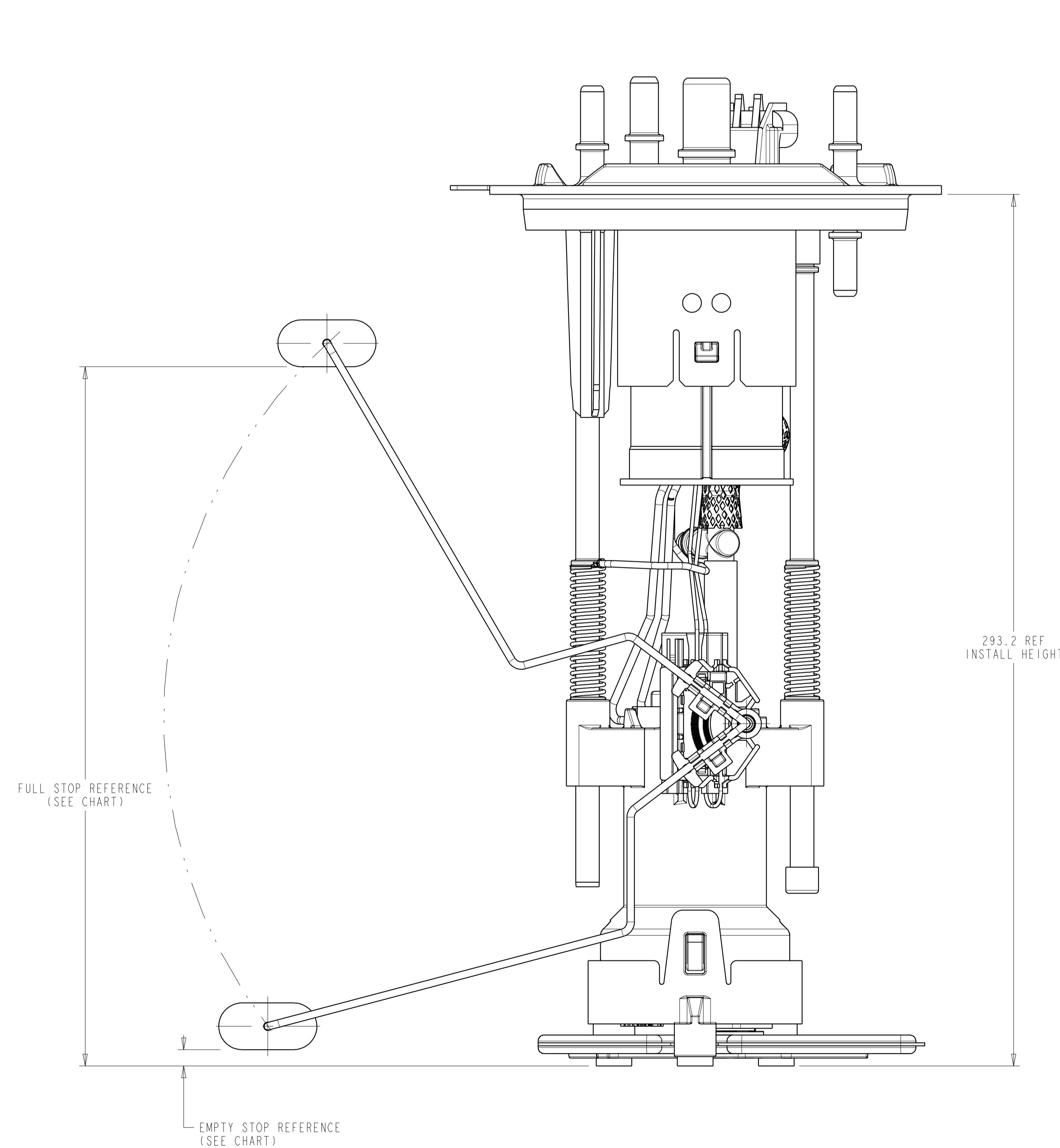


REVISIONS						
ZONE	LTR	DESCRIPTION	CHANGE No	DATE	BY	APPR'D
A		RELEASED FOR QUOTE	DR28118	12AUG10	RMB	BLM
9-E	B	ADD SLEEVE TO SUPPLY TUBE	DR29136	16NOV10	RMB	BLM
C		RELEASED FOR PRODUCTION	C'481	28JAN11	RMB	BLM



E-CONNECTOR PIN OUT DETAIL
PARTIAL VIEW IN DIRECTION OF ARROW "X"
SCALE 2:1



LEVEL SENDER UNIT HEIGHT VS RESISTANCE		
FLOAT POSITION	HEIGHT (mm)	RESISTANCE (Ohms)
FULL STOP	235.0 REF	160 ± 4
EMPTY STOP	5.0 REF	16 ± 2

- NOTES:
- SPECIAL CUSTOMER PACKAGING REQUIREMENTS MAY CALL FOR THE ADDITION OF SPECIFIC LABELS NOT SHOWN ON THIS DRAWING.
 - MODULE TO BE PACKAGED USING COMPONENTS NOTED ON BOM SO THAT CONTAMINATION FROM FOREIGN MATERIAL IS PREVENTED:
- PLUG PROTECTORS ON PORTS
- POLY BAG
 - SHOWN WIRE ROUTING MAY DIFFER FROM FINISHED PRODUCT.

METRIC
ALL DIMENSIONS ARE IN MILLIMETERS

DO NOT SCALE
DECIMAL TOLERANCES UNLESS OTHERWISE SPECIFIED
ONE PLACE ±0.25 TWO PLACE ±0.13 ANGLES ±1°

THIRD ANGLE PROJECTION
DIMENSIONS IN ACCORDANCE WITH ASME Y14.5 - 2009

TI Automotive
630 COLUMBIA ST.
CARO, MI 48123
+1 989.673.7127

ENGINEER	B. WIDDLETON	12AUG2010	MATERIAL SPECIFICATION:
DES. MANAGER			N/A
DESIGNER	R. BRUBAKER	12AUG2010	
CAD SYSTEM: PROVE	SCALE: 1:1		SHEET NO. 1 OF 1
REFERENCE TO FILE:		P/N REFERENCE FILE:	
CAD: AR0028525/AC		000103519/AA	
REFERENCE TO FILE:		P/W REFERENCE FILE:	

DRAWING NAME:
FUEL MODULE OUTLINE (F150GAS, J-TANK)

DRAWING NUMBER:
A0 TU269HP

THIS DRAWING IS THE PROPERTY OF TI AUTOMOTIVE. IT IS UNLAWFUL TO REPRODUCE OR TRANSMIT THIS DRAWING IN ANY MANNER WITHOUT THE WRITTEN PERMISSION OF TI AUTOMOTIVE. TI AUTOMOTIVE ACCEPTS NO LIABILITY FOR ANY ERRORS OR OMISSIONS IN THIS DRAWING. TI AUTOMOTIVE DISCLAIMS ANY WARRANTY, EXPRESS OR IMPLIED, FOR THE PRODUCT OR SERVICE PROVIDED BY TI AUTOMOTIVE. TI AUTOMOTIVE DISCLAIMS ANY LIABILITY FOR ANY DAMAGES, INCLUDING CONSEQUENTIAL DAMAGES, ARISING FROM THE USE OF THIS DRAWING. TI AUTOMOTIVE, TI AUTOMOTIVE LOGO, ALL RIGHTS RESERVED. THIS DRAWING IS UNCLASSIFIED.