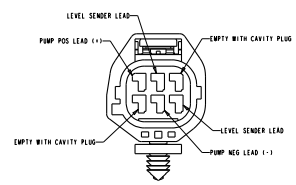
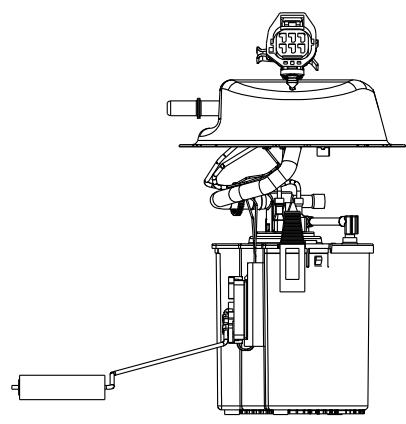
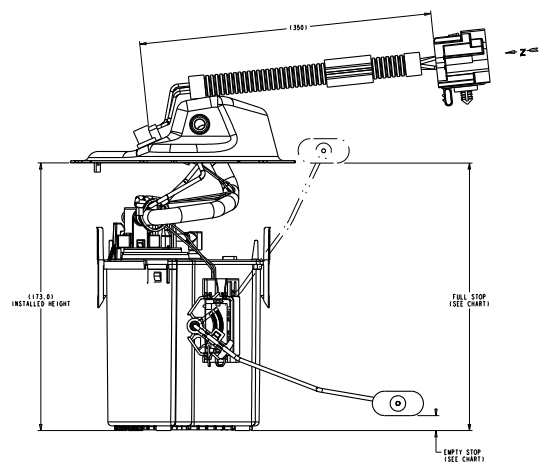
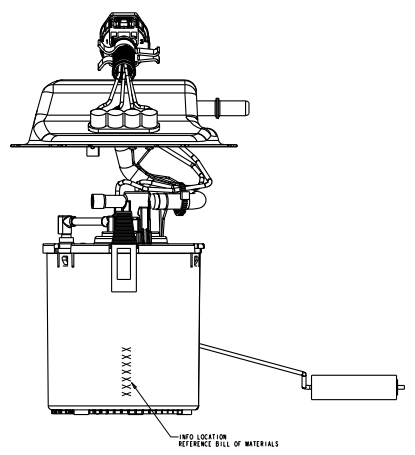
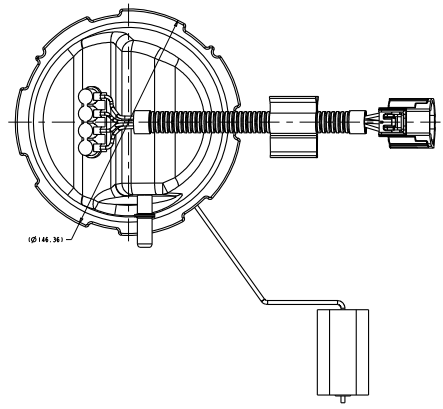


REVISIONS					
ZONE	LTN	DESCRIPTION	CHGNO	DATE	BY
A		RELEASED FOR PRODUCTION		08/04/10	SLB



CONNECTOR
MODULE MAIN
PINOUT DETAIL
VIEW ON ARROW Z
SCALE 2:1



FLOAT POSITION	HEIGHT (mm)	RESISTANCE (OHMS)
FULL STOP	(173.0)	180.5±3.0
EMPTY STOP	(10.0)	15±1

- NOTE:
- SPECIAL CUSTOMER PACKAGING REQUIREMENTS MAY CALL FOR THE ADDITION OF SPECIFIC LABELS NOT SHOWN ON THIS DRAWING.
 - SHOWN WIRE ROUTING MAY DIFFER FROM FINISHED PRODUCT.
 - SHOWN RESISTOR COLOR AND PUMP TERMINATION MAY DIFFER FROM FINISHED PRODUCT.

METRIC
ALL DIMENSIONS ARE IN MILLIMETERS

DO NOT SCALE

DECIMAL TOLERANCES UNLESS OTHERWISE SPECIFIED
ONE PLACE 0.25 TWO PLACE 0.13 ANGLES 0.1°

THIRD ANGLE PROJECTION

DIMENSIONS IN ACCORDANCE WITH ASME Y14.5 - 2009

TI Automotive 630 COLUMBIA ST. CANTON, OH 44705
+1 989.472.7127

ENGINEER: B.WILSON DESIGNER: J.KIND

DESIGNER: J.KIND

DATE: 08/04/10 SCALE: 1:1 SHEET NO. 8 OF 1

PROJECT: 000103040AA PRODUCT: 000103040AA

REV: 1

TITLE: FUEL MODULE OUTLINE (FORD FOCUS HP)

DATE: 08/04/10

10223NP / REV A

PROPERTY OF TI AUTOMOTIVE
ALL RIGHTS RESERVED
NO PARTS TO BE REPRODUCED OR TRANSMITTED IN ANY FORM OR BY ANY MEANS, ELECTRONIC OR MECHANICAL, INCLUDING PHOTOCOPYING, RECORDING, OR BY ANY INFORMATION STORAGE AND RETRIEVAL SYSTEM, WITHOUT PERMISSION IN WRITING FROM TI AUTOMOTIVE

