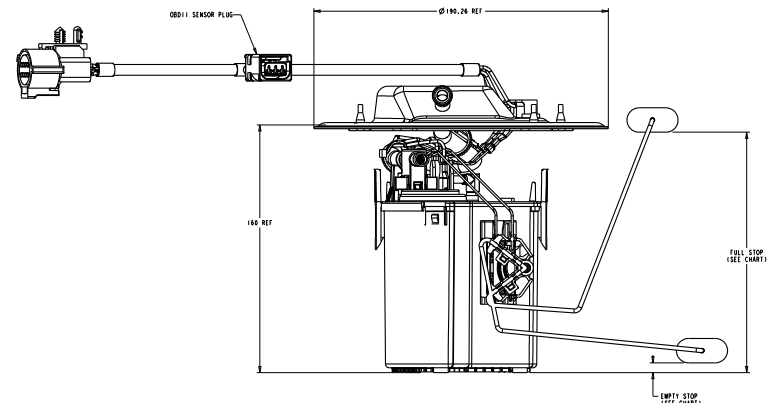
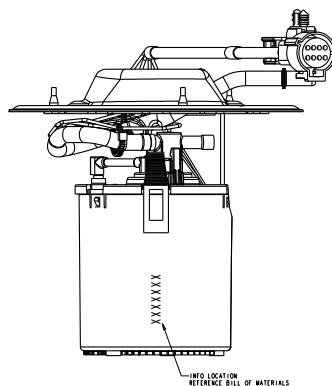
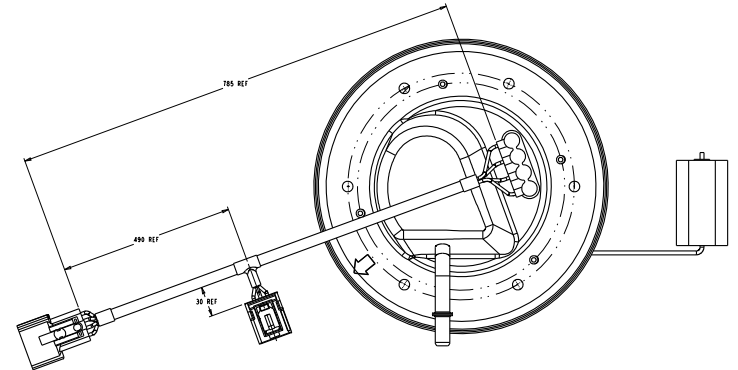
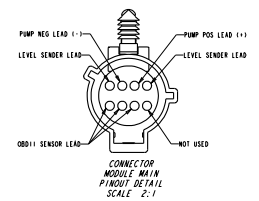


REVISIONS						
ZONE	LTN	DESCRIPTION	CHANGE NO	DATE	BY	APPROV
A		RELEASED FOR QUOTE		08/12/12 (20/08/12)	MMB	SLM
B		RELEASED FOR PRODUCTION		12/14 (02/09/12)	MMB	SLM



FLOAT POSITION	HEIGHT (mm)	RESISTANCE (OHMS)
FULL STOP	150 REF	160.5±3.0
EMPTY STOP	2 REF	15±1

- NOTE:
- SPECIAL CUSTOMER PACKAGING REQUIREMENTS MAY CALL FOR THE ADDITION OF SPECIFIC LABELS NOT SHOWN ON THIS DRAWING.
 - SHOWN WIRE ROUTING MAY DIFFER FROM FINISHED PRODUCT.
 - SHOWN RESISTOR CABO AND PUMP TERMINATION MAY DIFFER FROM FINISHED PRODUCT.

METRIC
ALL DIMENSIONS ARE IN MILLIMETERS

DO NOT SCALE

DECIMAL TOLERANCES UNLESS OTHERWISE SPECIFIED
ONE PLACE 0.25 TWO PLACE 0.13 ANGLES 0.1°

THIRD ANGLE PROJECTION

DIMENSIONS IN ACCORDANCE WITH ASME Y14.5 - 2009

TI Automotive 630 COLUMBIA ST
CRAIG WY #400
FARMERSVILLE, TX 77934
+1 800.475.7127

DESIGNER: B.WINDSTON | 20082010 | MATERIAL SPECIFICATION:
REV: 000001

DESIGNER: B.LANDRICK | 20082010

CAD SYSTEM: PROE | SCALE: 1:1 | SHEET NO. 8 OF 1

PROJECT NAME: FUEL MODULE
CAD: A00201077AB | PRODUCT: 0001024201AA
PUMP: 0001024201AA

REV: 000001
TITLE: FUEL MODULE OUTLINE (MUSTANG HP)
SHEET NO.: A0
PART NO.: T0229HP / REV B

PROE ENGINEERING DRAWING
SCALE: 1:1
DATE: 08/12/12
DRAWN BY: B.WINDSTON
CHECKED BY: B.LANDRICK
APPROVED BY: MMB