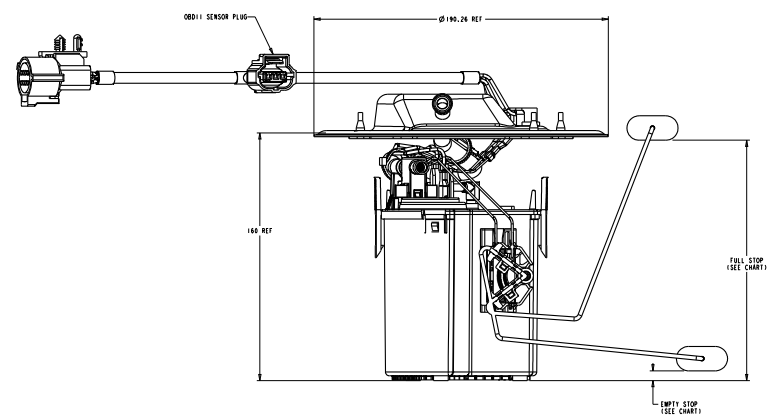
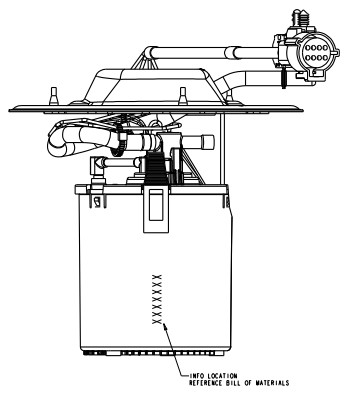
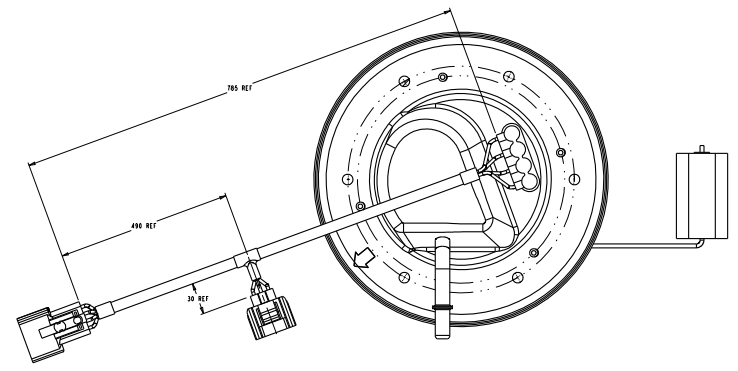
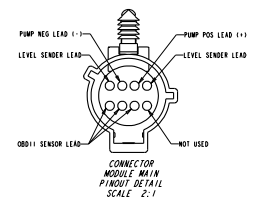


REVISIONS						
ZONE	LTN	DESCRIPTION	CHGNG NO	DATE	BY	APPR'D
A		RELEASED FOR QUOTE	001231	12/06/10	RMB	SLW
B		RELEASED FOR PRODUCTION	12314	02/26/10	RMB	SLW



FLOAT POSITION	HEIGHT (mm)	RESISTANCE (OHMS)
FULL STOP	150 REF	180.5±3.0
EMPTY STOP	2 REF	15±1

- NOTE:
- SPECIAL CUSTOMER PACKAGING REQUIREMENTS MAY CALL FOR THE ADDITION OF SPECIFIC LABELS NOT SHOWN ON THIS DRAWING.
 - SHOWN WIRE ROUTING MAY DIFFER FROM FINISHED PRODUCT.
 - SHOWN RESISTOR CABO AND PUMP TERMINATION MAY DIFFER FROM FINISHED PRODUCT.

METRIC
ALL DIMENSIONS ARE IN MILLIMETERS

DO NOT SCALE

DECIMAL TOLERANCES UNLESS OTHERWISE SPECIFIED
ONE PLACE 0.1 25 0.25 0.5 1.0 2.0 3.0 4.0 5.0 6.0 8.0 10.0
THIRD ANGLE PROJECTION

DIMENSIONS IN ACCORDANCE WITH ASME Y14.5 - 2009

TI Automotive 630 COLUMBIA ST
CRAIG, MO 64241
+1 660.472.7127

ENGINEER	B.WINDLTON	12/06/2010	WATER/RESISTANCE
DESIGNER	B.LANDRICK	12/06/2010	
CAD SYSTEM	PROE	SCALE: 1:1	SHEET NO. 8 OF 1
PROJECT	001231		
CAD	AR020105/AB		PRODUCT 0001024331AA
FORMING	0001024331AA		
REV			
DATE			
DESCRIPTION	FUEL MODULE OUTLINE (MUSTANG HP)		
APP'D	AO		
DATE			
DESCRIPTION	F0228HP / REV B		