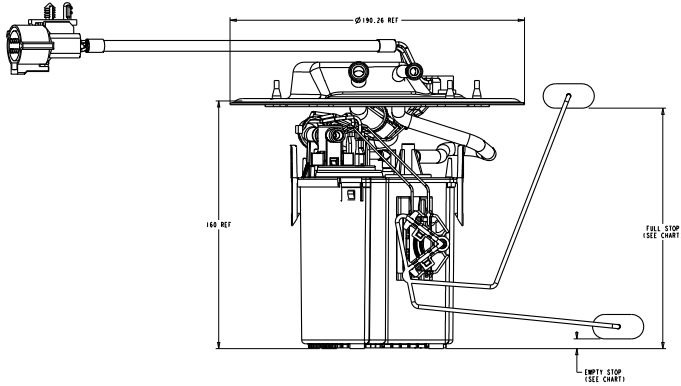
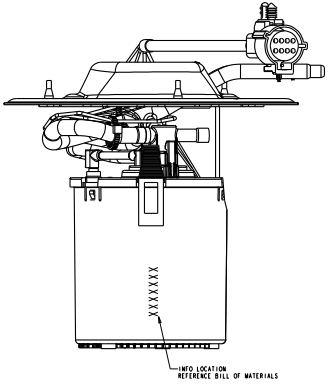
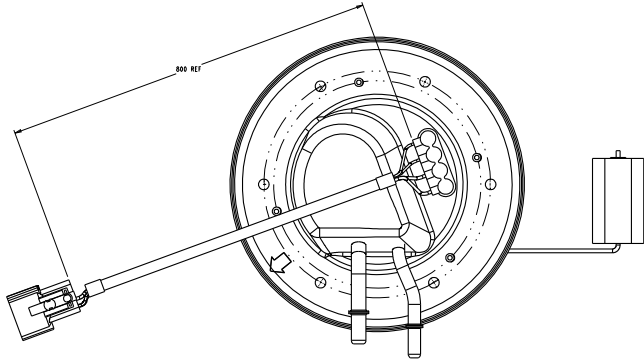
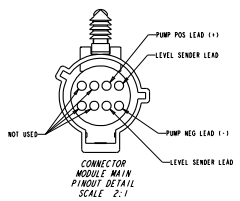


REVISIONS						
ZONE	LN	DESCRIPTION	CHGNG NO	DATE	BY	APPR'D
A	1	RELEASED FOR QUOTE		08/12/12	JKM/JAB	RMB /SLM
B	2	RELEASED FOR PRODUCTION		12/14/12	JKM/JAB	RMB /SLM



FLOAT POSITION	HEIGHT (mm)	RESISTANCE (OHMS)
FULL STOP	150 REF	180.5±3.0
EMPTY STOP	2 REF	15±1

- NOTE:
- SPECIAL CUSTOMER PACKAGING REQUIREMENTS MAY CALL FOR THE ADDITION OF SPECIFIC LABELS NOT SHOWN ON THIS DRAWING.
 - SHOWN WIRE ROUTING MAY DIFFER FROM FINISHED PRODUCT.
 - SHOWN RESISTOR CABO AND PUMP TERMINATION MAY DIFFER FROM FINISHED PRODUCT.

METRIC
ALL DIMENSIONS ARE IN MILLIMETERS

DO NOT SCALE

DECIMAL TOLERANCES UNLESS OTHERWISE SPECIFIED
ONE PLACE 0.25 TWO PLACE 0.13 ANGLES 0.1°

THIRD ANGLE PROJECTION

DIMENSIONS IN ACCORDANCE WITH ASME Y14.5 - 2009

TI Automotive 630 COLUMBIA ST. COLUMBIA, MO 65201
+1 650.679.7127

ENGINEER: B.WINDSTON DMB20118 MATERIAL SPECIFICATION:
DESIGNER: B.LANDAUER DMB20118

CAD SYSTEM: PROE SCALE: 1:1 SHEET NO. 8 OF 1
DRAWING NO: CAD: AR0201037AB PRODUCT: 0001624231AA
PART NUMBER: 0001624231AA

REV: A0
TUEL MODULE OUTLINE (MUSTANG HP)
10/22/12P / REV B

PROE ENGINEERING CORPORATION
1000 UNIVERSITY AVENUE
PROVIDENCE, RI 02909
TEL: 401.885.8100
WWW.PROE.COM

L
K
J
I
H
G
F
E
D
C
B
A

16 15 14 13 12 11 10 9 8 7 6 5 4 3 2 1