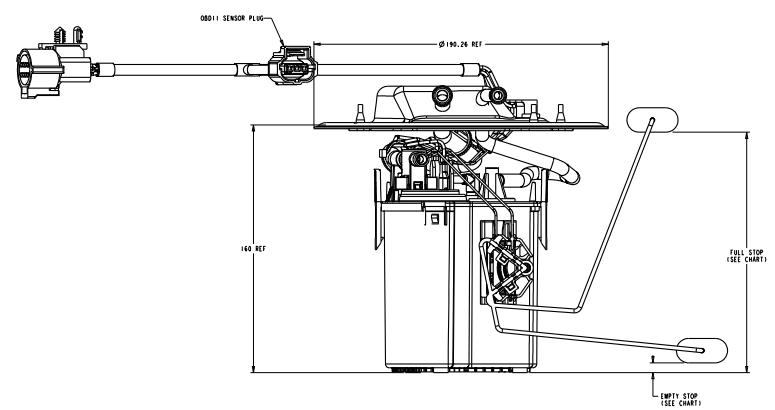
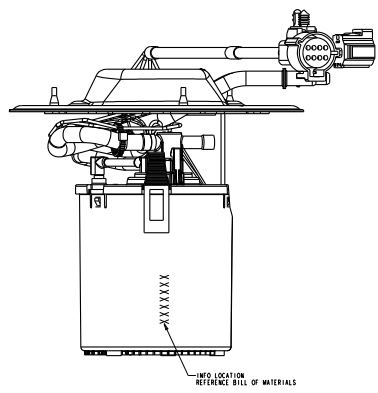
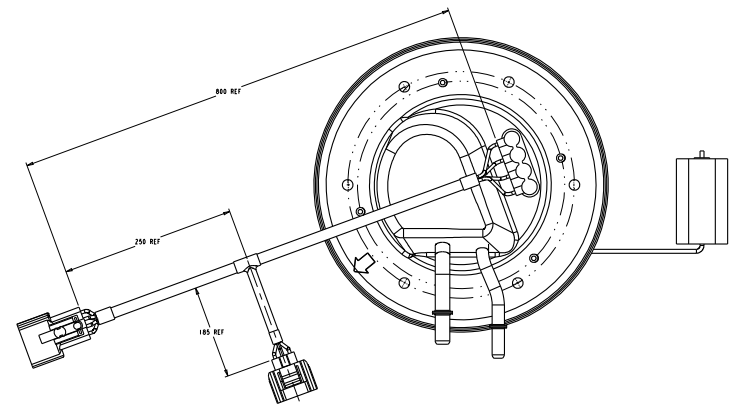
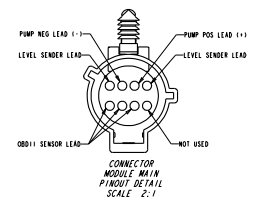


REVISIONS						
ZONE	LTN	DESCRIPTION	CHANGE NO.	DATE	BY	APPROV.
A		RELEASED FOR QUOTE		08/12/12 (20120812)	RMB	SLM
B		RELEASED FOR PRODUCTION		12/14/12 (20121214)	RMB	SLM



FLOAT POSITION	HEIGHT (mm)	RESISTANCE (OHMS)
FULL STOP	150 REF	160.5±3.0
EMPTY STOP	2 REF	15±1

- NOTE:
- SPECIAL CUSTOMER PACKAGING REQUIREMENTS MAY CALL FOR THE ADDITION OF SPECIFIC LABELS NOT SHOWN ON THIS DRAWING.
 - SHOWN WIRE ROUTING MAY DIFFER FROM FINISHED PRODUCT.
 - SHOWN RESISTOR CABD AND PUMP TERMINATION MAY DIFFER FROM FINISHED PRODUCT.

METRIC
ALL DIMENSIONS ARE IN MILLIMETERS

DO NOT SCALE

DECIMAL TOLERANCES UNLESS OTHERWISE SPECIFIED
ONE PLACE 0.1 0.25 TWO PLACE 0.10 0.25 0.50

THIRD ANGLE PROJECTION

DIMENSIONS IN ACCORDANCE WITH ASME Y14.5 - 2009

TI Automotive 630 COLUMBIA ST. CADD OX, TX 75112
+1 989.472.7127

ENGINEER: B.WINDSTON 20120216 MATERIAL SPECIFICATION:
DESIGNER: B.LANDAUER 20120216

CAD SYSTEM: PROE SCALE: 1:1 SHEET NO. 8 OF 1
DRAWN BY: CAD: AR022017/AB PRODUCT: 000162422/AA
REVISED BY: 02/16/12

NAME: FUEL MODULE OUTLINE (MUSTANG HP)
PART NUMBER: A0 T0226HP / REV B

PROE ENGINEERING CORPORATION
1000 UNIVERSITY AVENUE
PROVIDENCE, RI 02902
TEL: 401.885.8100 FAX: 401.885.8101
WWW.PROE.COM

