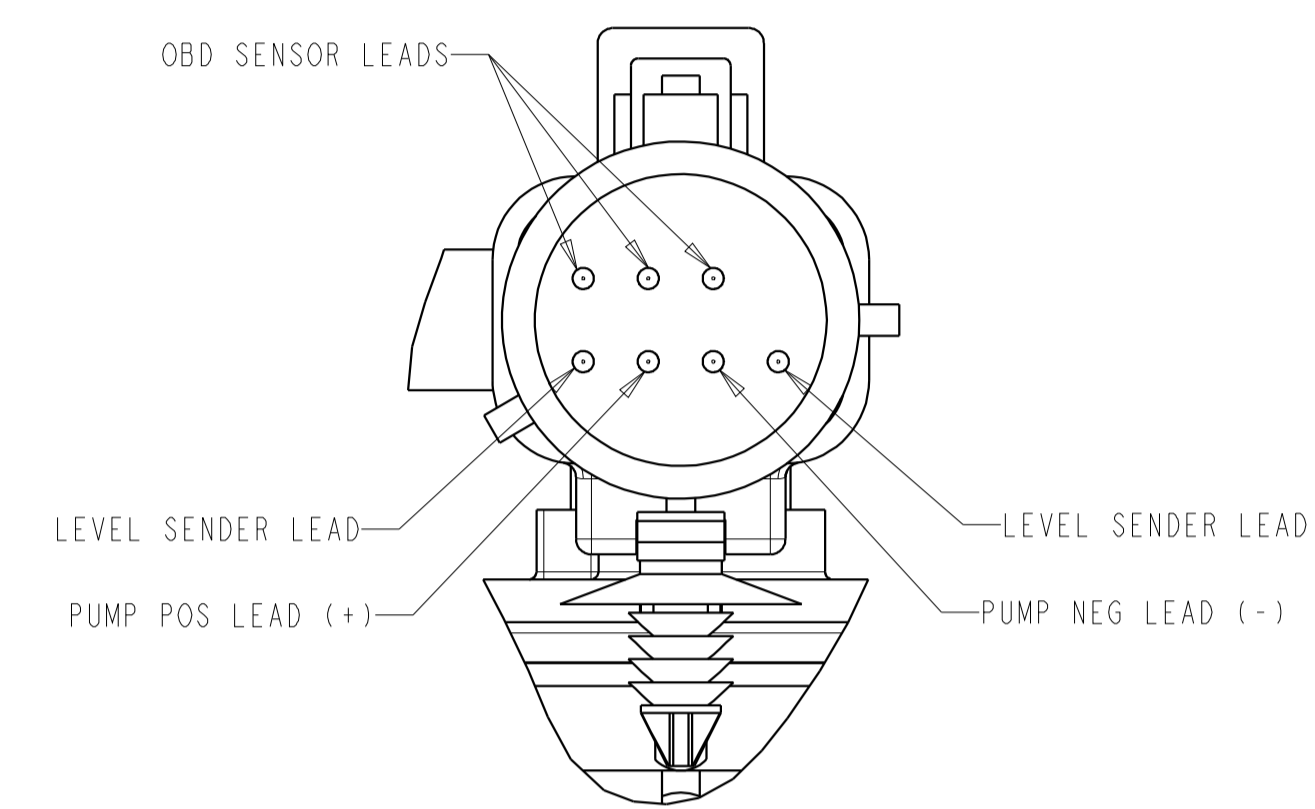
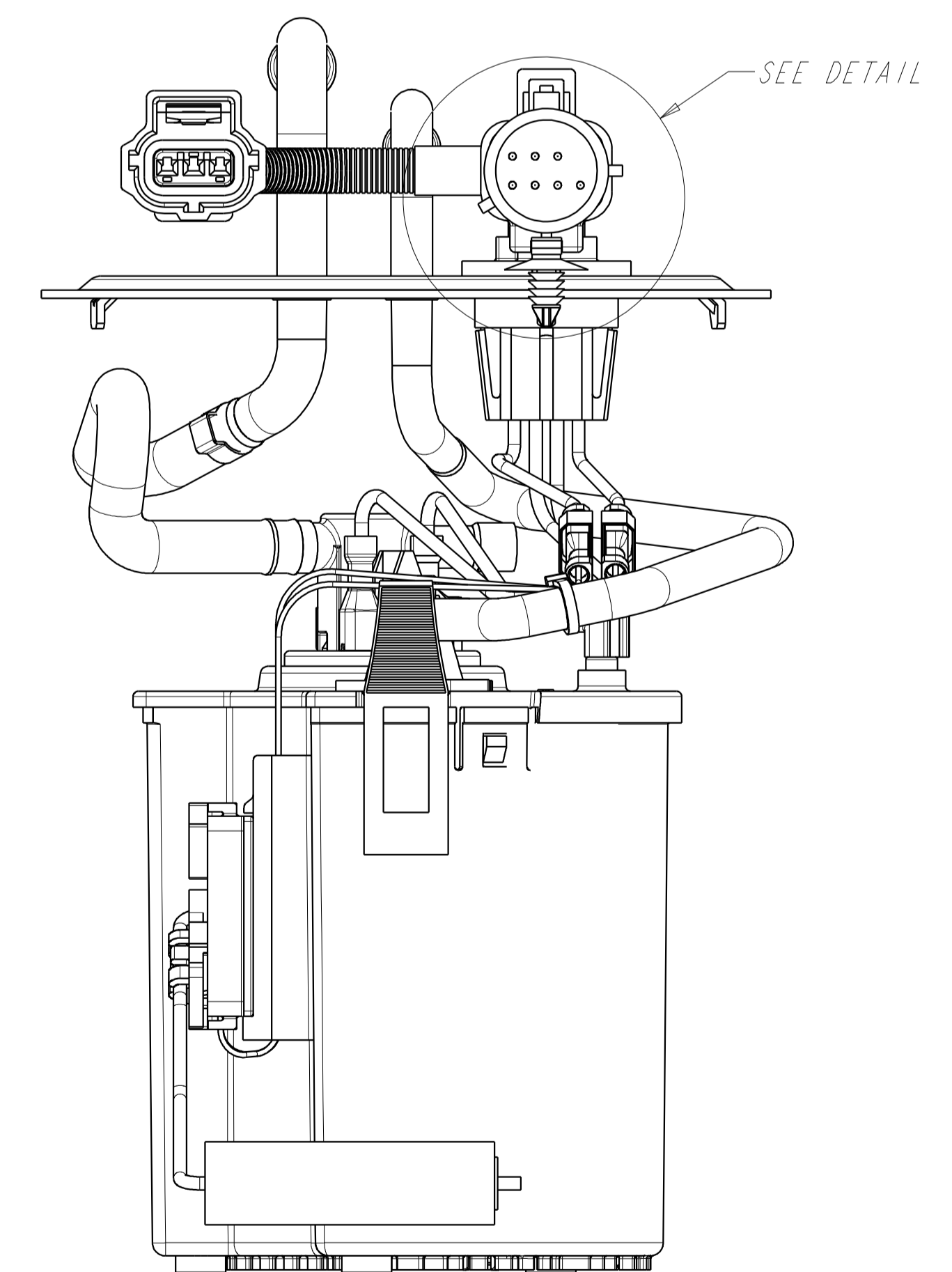
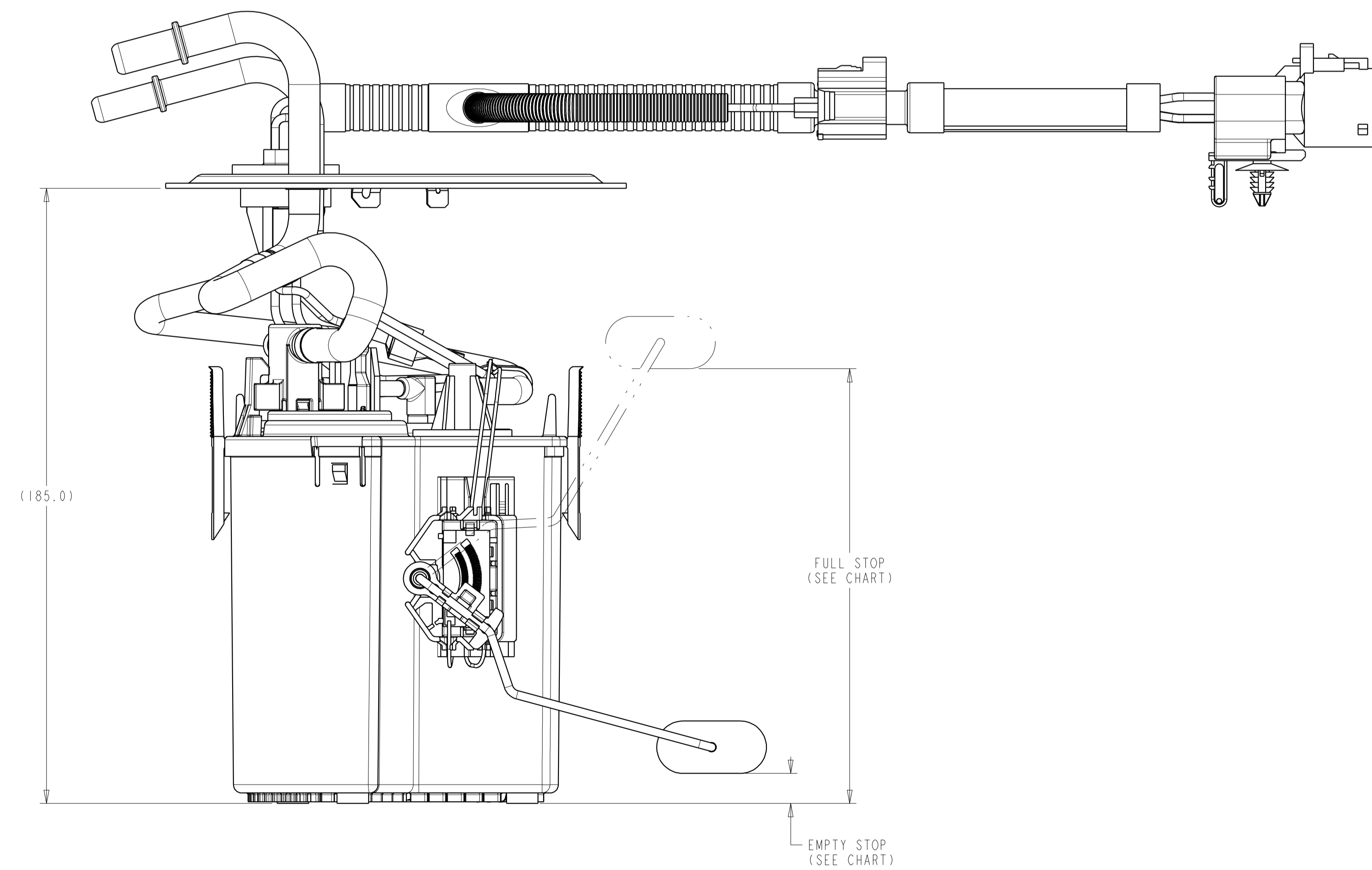
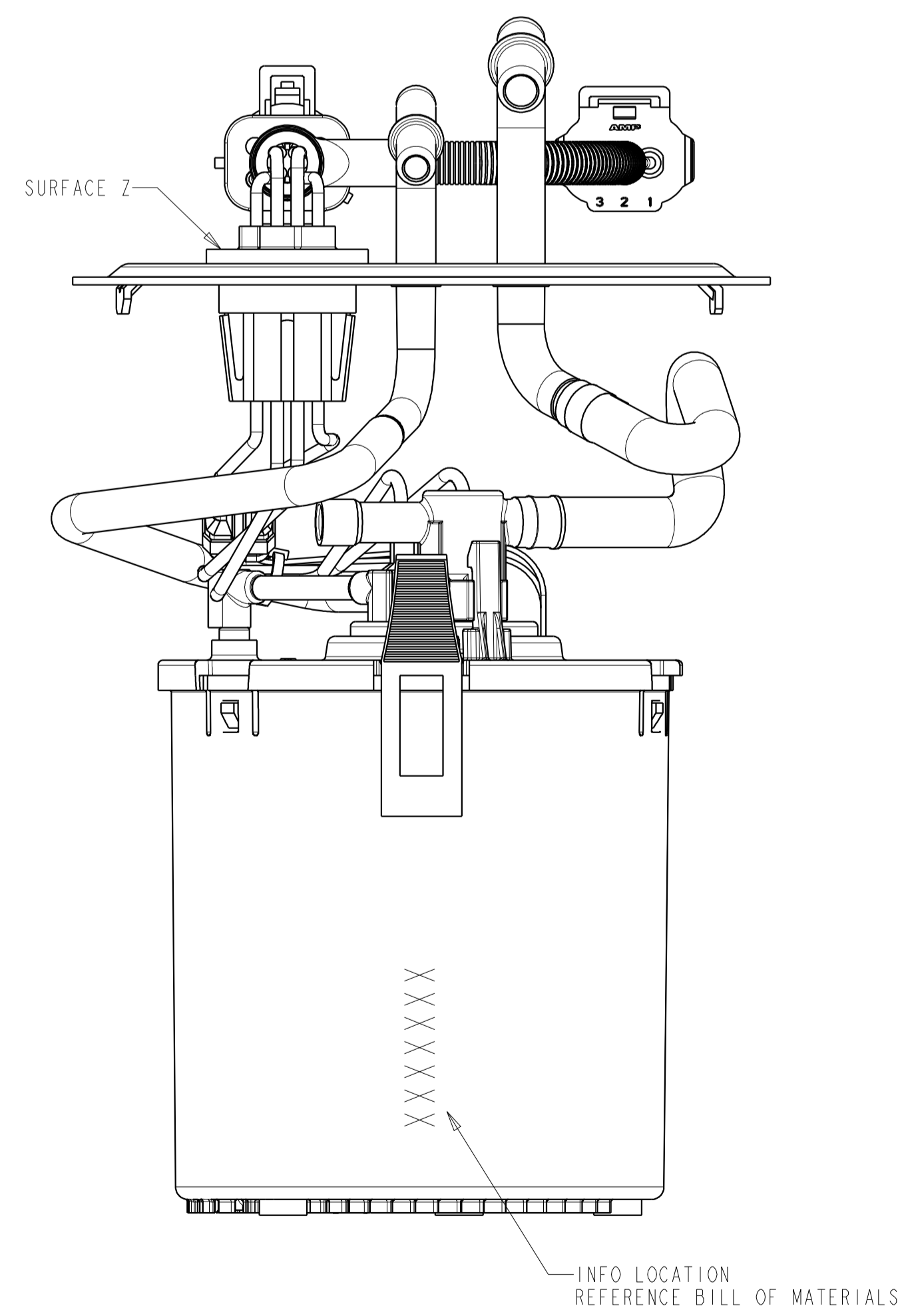
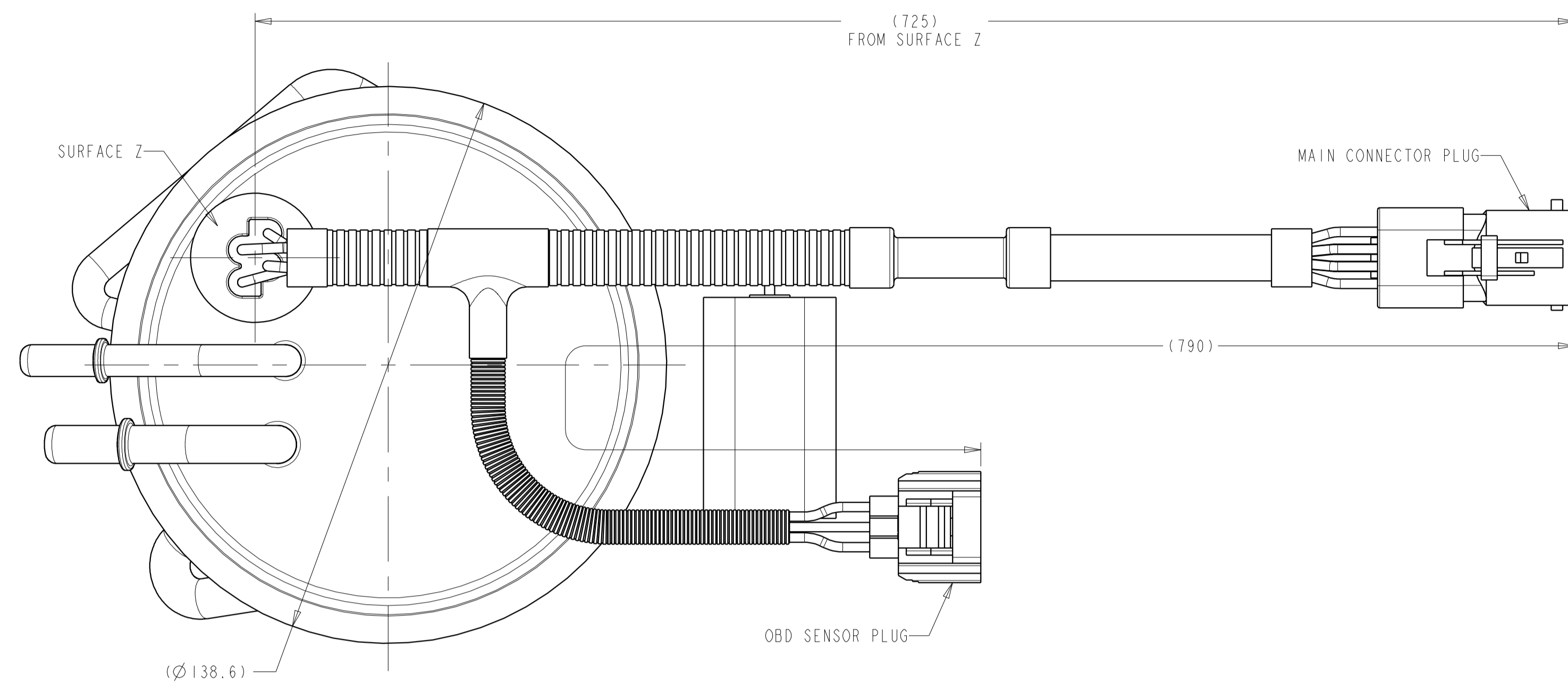


REVISIONS						
ZONE	LTR	DESCRIPTION	CHANGE No	DATE	BY	APPR'D
A		RELEASED FOR PRODUCTION	000000424	19AUG10	SLK	BLM



DETAIL X
CONNECTOR PINOUT
SCALE 2:1



FLOAT POSITION	HEIGHT (mm)	RESISTANCE (OHMS)
FULL STOP	(131.7)	160.5±3.0
EMPTY STOP	(10.0)	15±1

- NOTE:
- SPECIAL CUSTOMER PACKAGING REQUIREMENTS MAY CALL FOR THE ADDITION OF SPECIFIC LABELS NOT SHOWN ON THIS DRAWING.
 - SHOWN WIRE ROUTING MAY DIFFER FROM FINISHED PRODUCT.
 - SHOWN RESISTOR CARD AND PUMP TERMINATION MAY DIFFER FROM FINISHED PRODUCT.

METRIC
ALL DIMENSIONS ARE IN MILLIMETERS

DO NOT SCALE

DECIMAL TOLERANCES UNLESS OTHERWISE SPECIFIED
ONE PLACE ±0.25 TWO PLACE ±0.13 ANGLES ±1°

THIRD ANGLE PROJECTION

DIMENSIONS IN ACCORDANCE WITH ASME Y14.5 - 2009

TI Automotive 630 COLUMBIA ST. CARO, MI 48123 +1 989.673.7127

ENGINEER	B. WIDDLETON	19AUG10	MATERIAL/SPECIFICATION:
DES. MANAGER	S. KADY	19AUG10	
DESIGNER	S. KADY	19AUG10	
CAD SYSTEM: PROVE	SCALE: 1:1	SHEET NO. 1 OF 1	
REFERENCE TO PAK:		FW REFERENCE PAK:	
CAD: AR0028561/AB		PRODUCT: 000103438/AB	
REFERENCE TO PAK:		FW REFERENCE PAK:	

DRAWING NAME: FUEL MODULE OUTLINE (FORD TAURUS HP)
DRAWING NUMBER: A0 TU215HP

TI AUTOMOTIVE CONFIDENTIAL AND PROPRIETARY
THIS DRAWING IS UNCLASSIFIED TO THE EXTENT OF THE INFORMATION CONTAINED HEREIN BEING NECESSARY FOR THE PRODUCTION AND REPAIR OF THE PRODUCT AND IS NOT TO BE REPRODUCED, COPIED, OR OTHERWISE DISSEMINATED WITHOUT THE EXPRESS WRITTEN PERMISSION OF TI AUTOMOTIVE. THE INFORMATION CONTAINED HEREIN IS UNCLASSIFIED TO THE EXTENT OF THE INFORMATION CONTAINED HEREIN BEING NECESSARY FOR THE PRODUCTION AND REPAIR OF THE PRODUCT AND IS NOT TO BE REPRODUCED, COPIED, OR OTHERWISE DISSEMINATED WITHOUT THE EXPRESS WRITTEN PERMISSION OF TI AUTOMOTIVE. ALL RIGHTS RESERVED. ©2010 TI AUTOMOTIVE. ALL RIGHTS RESERVED.