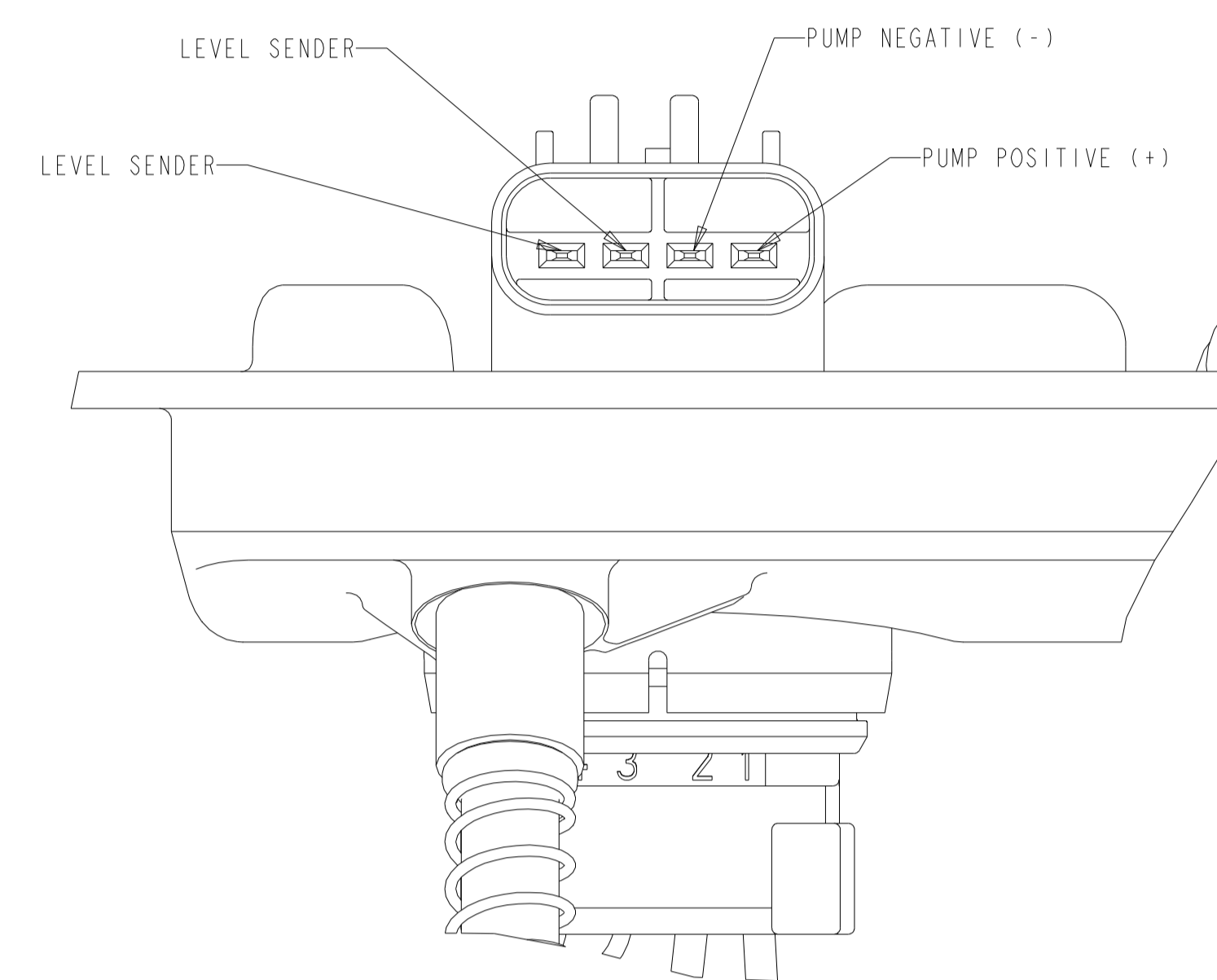
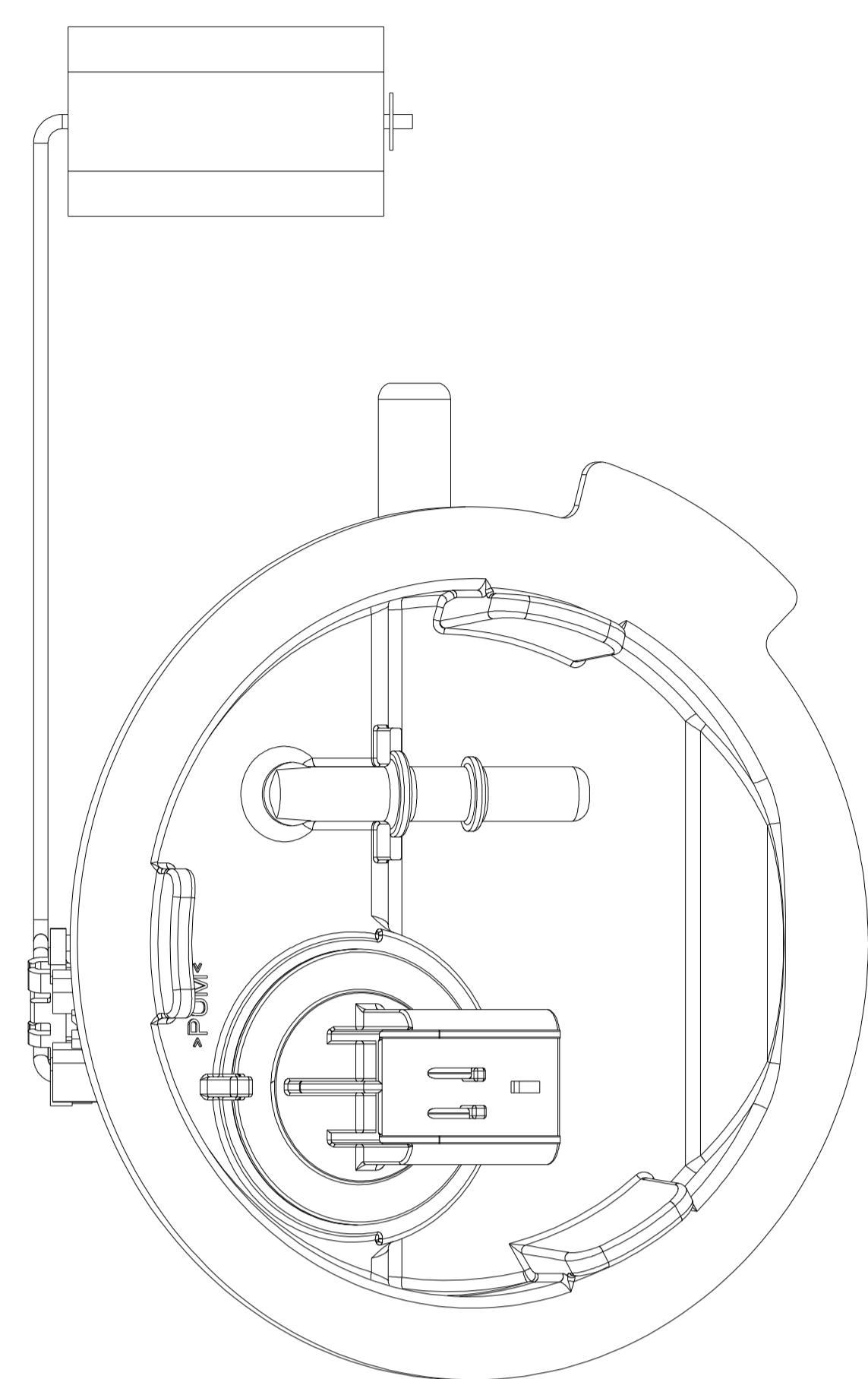
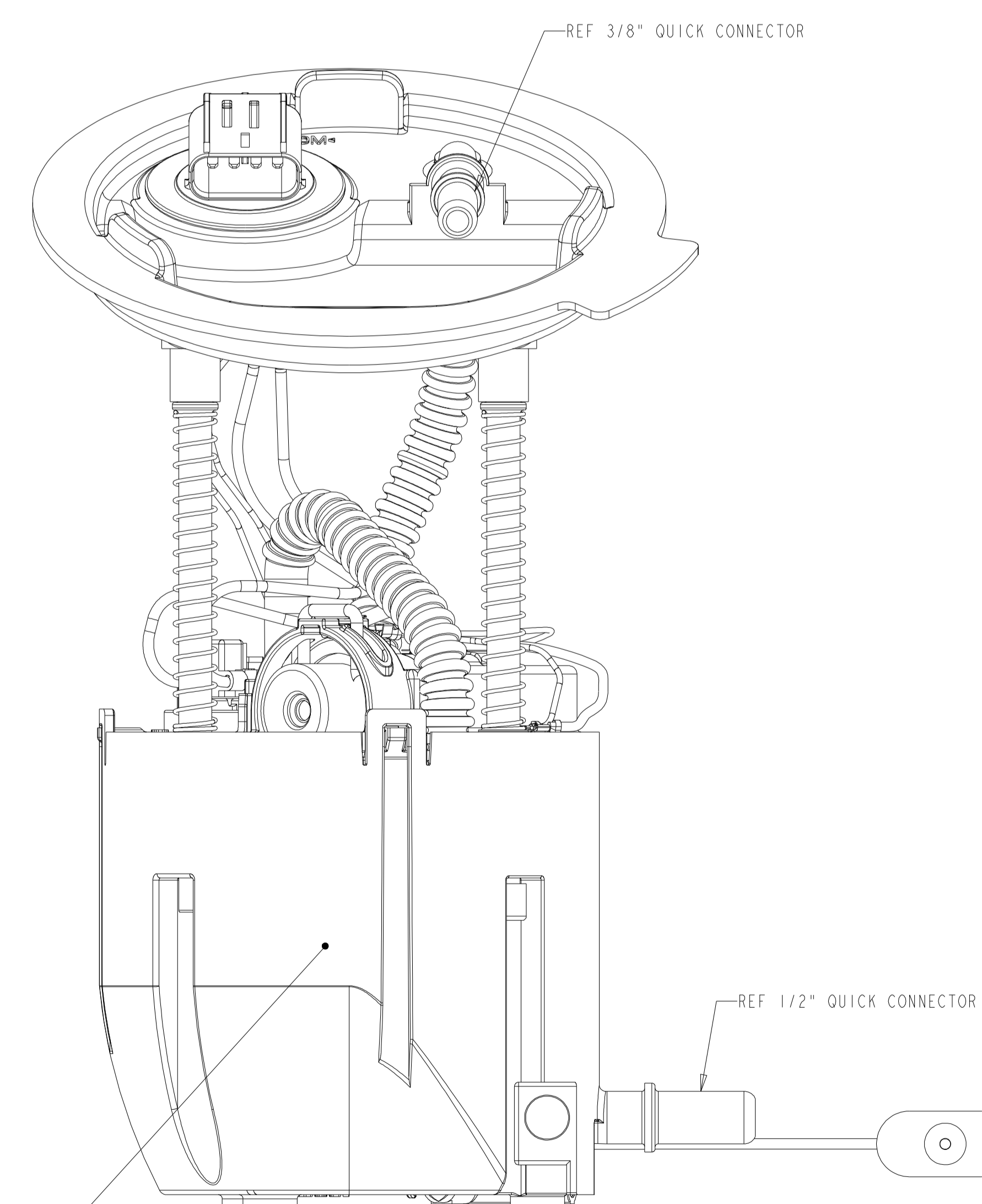
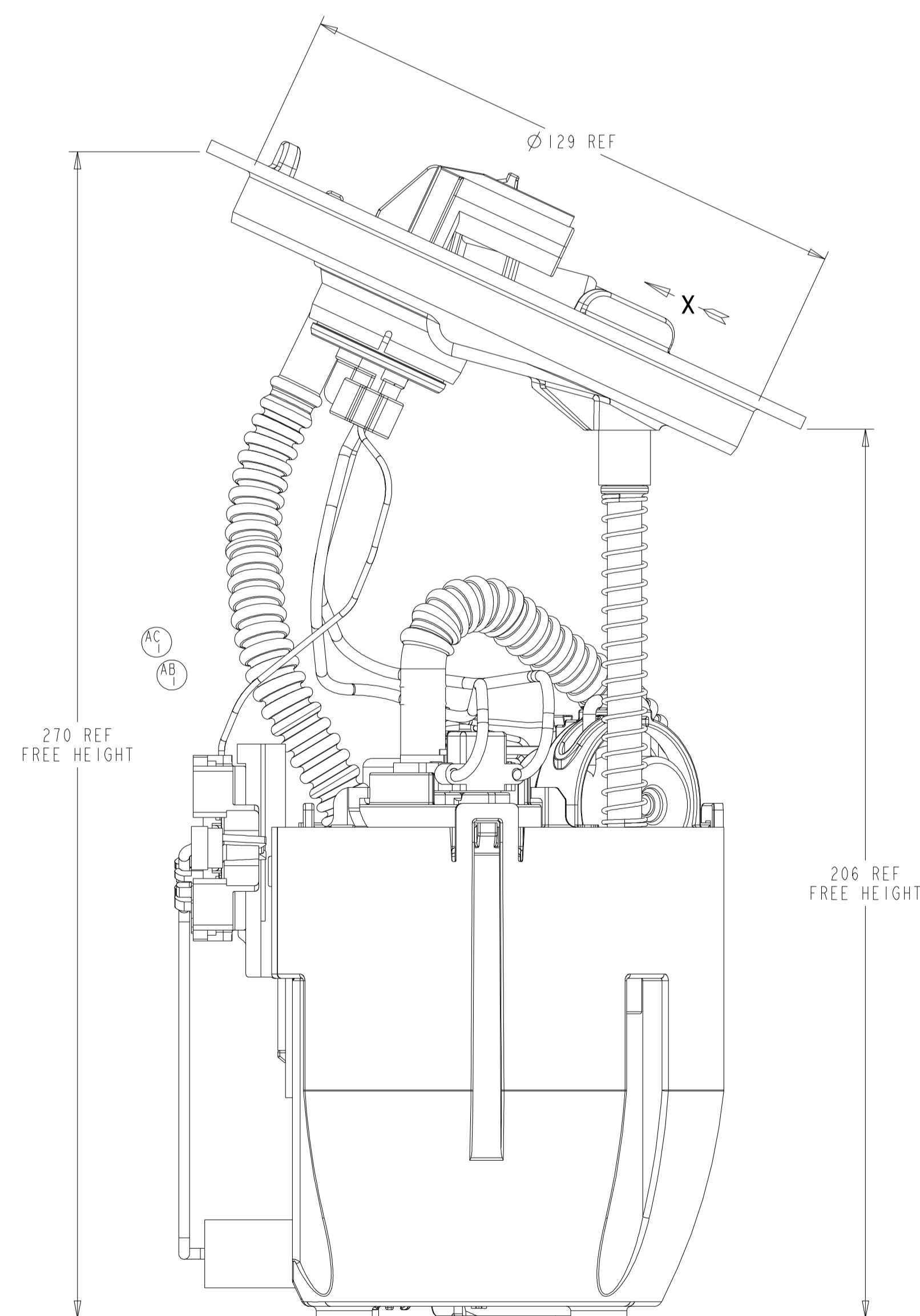
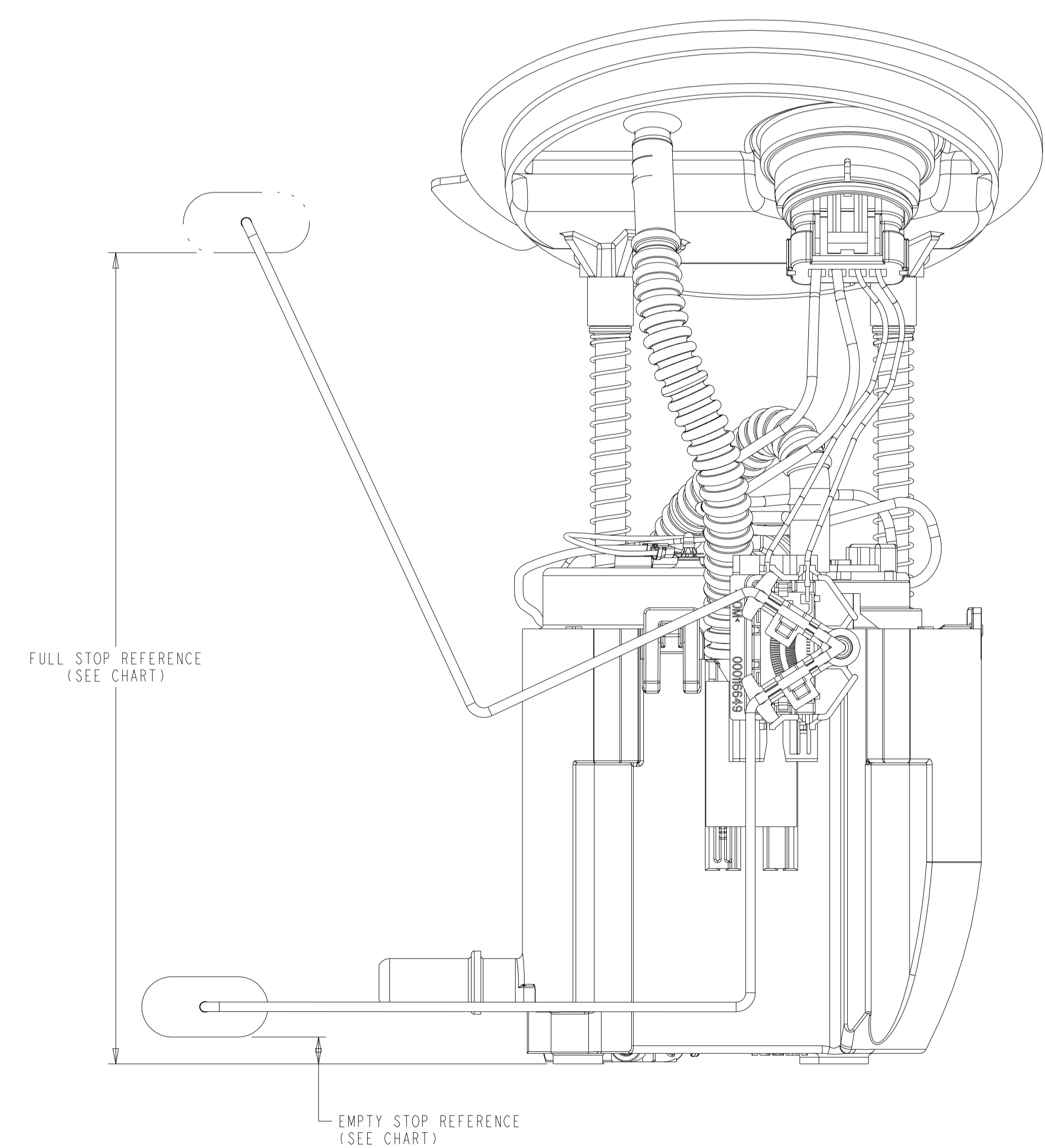


REVISIONS						
ZONE	LTR	DESCRIPTION	CHANGE No	DATE	BY	APPR'D
AA		INITIAL RELEASE	C-4386	08AUG17	RMB	BLM
II-D	AB	AB1 ADDED T-FITTING AND VALVE	80703	23OCT18	SLK	BLM
II-D	AC	AC1 REMOVED T-FITTING	DR73376	04DEC18	SLK	BLM



VIEW IN DIRECTION OF ARROW "X"
SCALE 2:1



LEVEL SENDER UNIT HEIGHT VS RESISTANCE		
FLOAT POSITION	HEIGHT (mm)	RESISTANCE (Ohms)
FULL STOP	212 REF	10 ± 2
EMPTY STOP	7.5 REF	180 ± 4

- NOTES:
- SPECIAL CUSTOMER PACKAGING REQUIREMENTS MAY CALL FOR THE ADDITION OF SPECIFIC LABELS NOT SHOWN ON THIS DRAWING.
 - MODULE TO BE PACKAGED USING COMPONENTS NOTED ON BOM SO THAT CONTAMINATION FROM FOREIGN MATERIAL IS PREVENTED:
 - PLUG PROTECTORS ON PORTS
 - POLY BAG
 - SHOWN WIRE ROUTING MAY DIFFER FROM FINISHED PRODUCT.

METRIC
ALL DIMENSIONS ARE IN MILLIMETERS
DO NOT SCALE
DECIMAL TOLERANCES UNLESS OTHERWISE SPECIFIED
ONE PLACE ±0.25 TWO PLACE ±0.13 ANGLES ±1°

THIRD ANGLE PROJECTION
DIMENSIONS IN ACCORDANCE WITH ASME Y14.5 - 2009

TI Automotive
630 COLUMBIA ST.
CARO, MI 48723
41 989.673.7727

ENGINEER: B.MIDDLETON 04AUG2017 MATERIAL/SPECIFICATION:
DESIGNER: R.BRUBAKER 04AUG2017
CAD SYSTEM: PROE SCALE: 1:1 SHEET NO. 1 OF 1
REFERENCE DRAWING: AR00465977AC
REFERENCE DRAWING: AR00465957AC
DRAWING NAME: FUEL MODULE OUTLINE
TITLE: A0 DRAWING NUMBER: TU2038HP

KEY PRODUCT CHARACTERISTICS	
REFER TO TI AUTOMOTIVE GLOBAL ADVANCED QUALITY PROGRAM DOCUMENT A-FUEL-01-001 FOR THE CLASSIFICATION AND CONTROL OF KEY PRODUCT CHARACTERISTICS	3094
SAFETY CHARACTERISTIC	---
CRITICAL CHARACTERISTIC	---
HIGH IMPACT CHARACTERISTIC	---