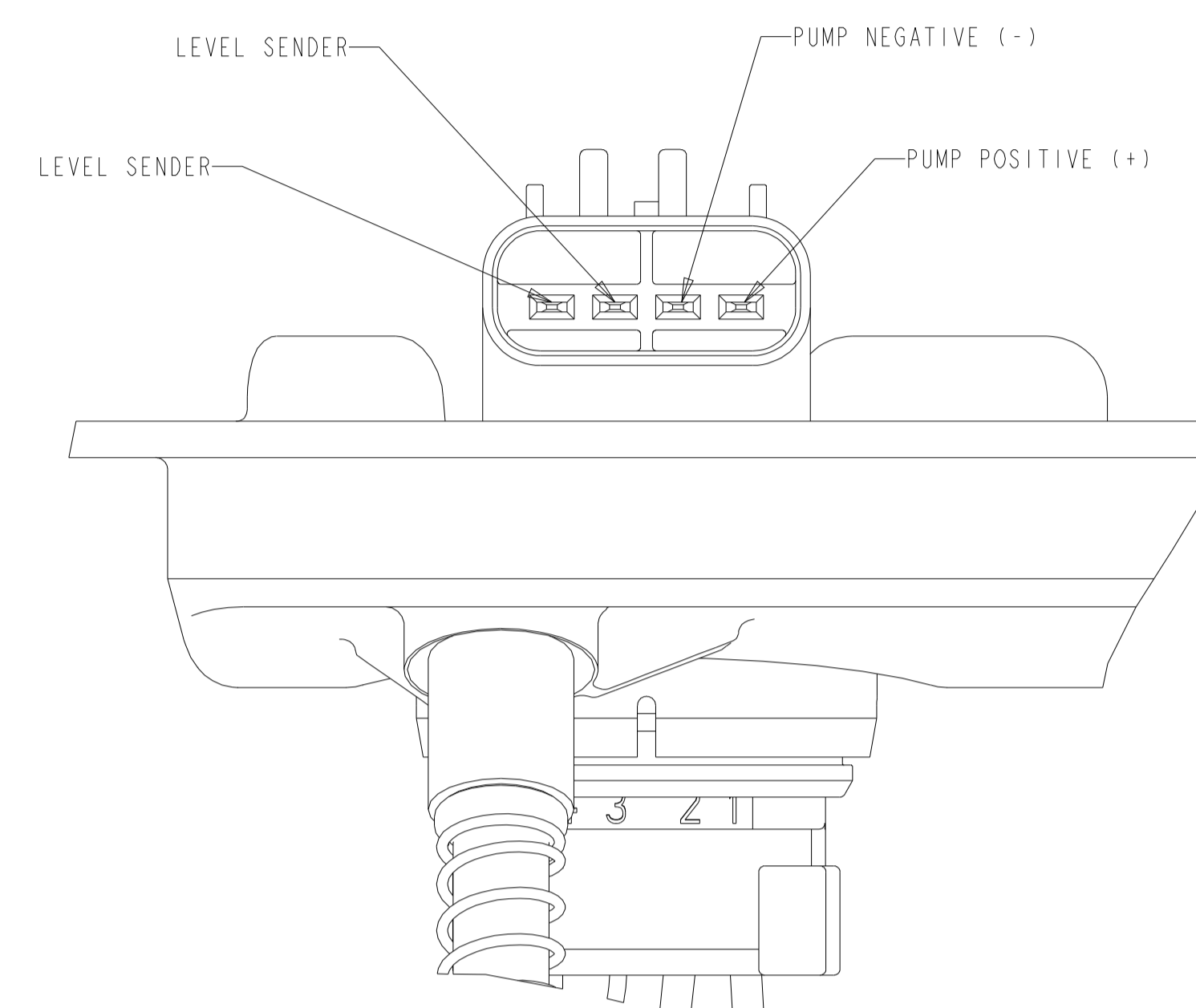
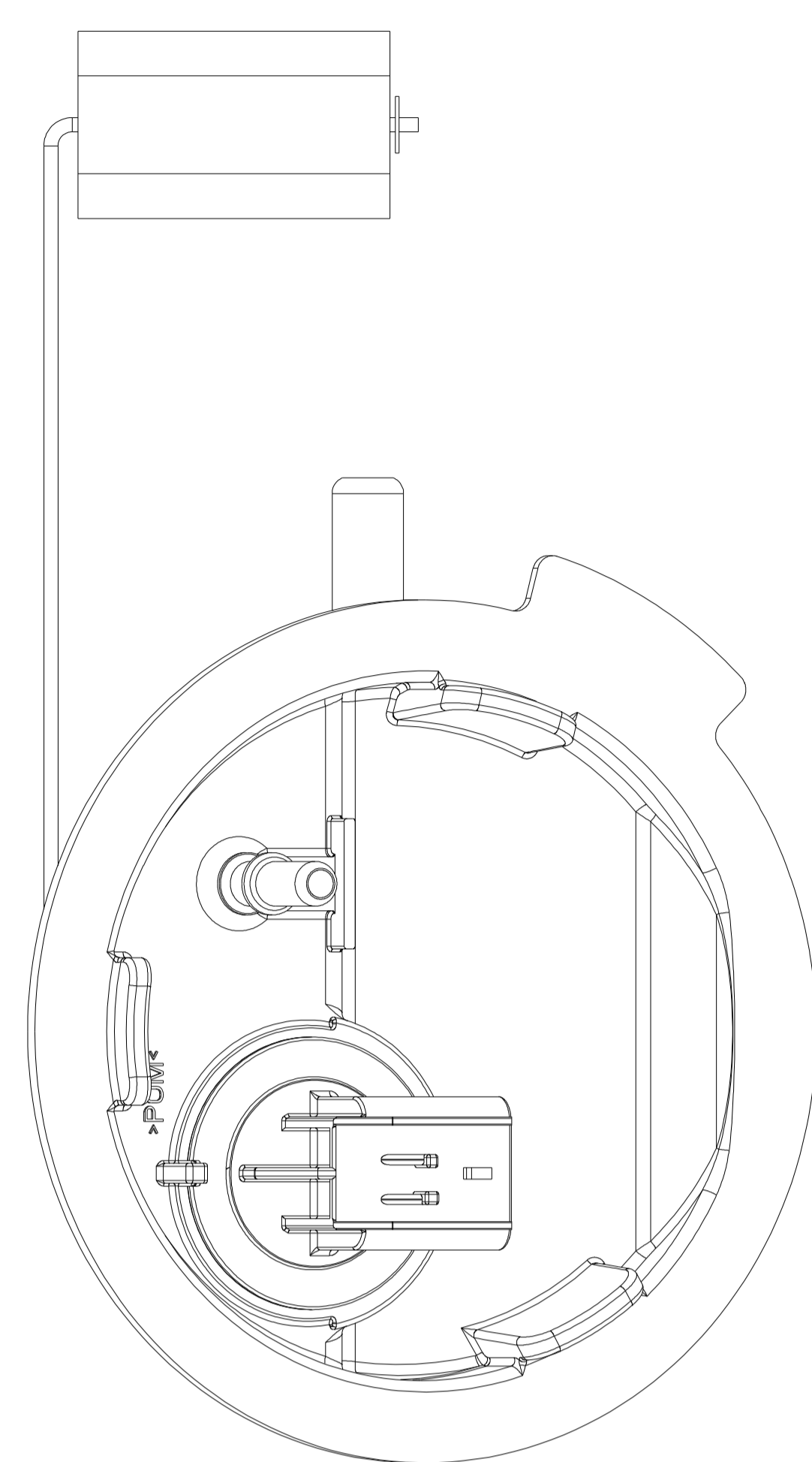
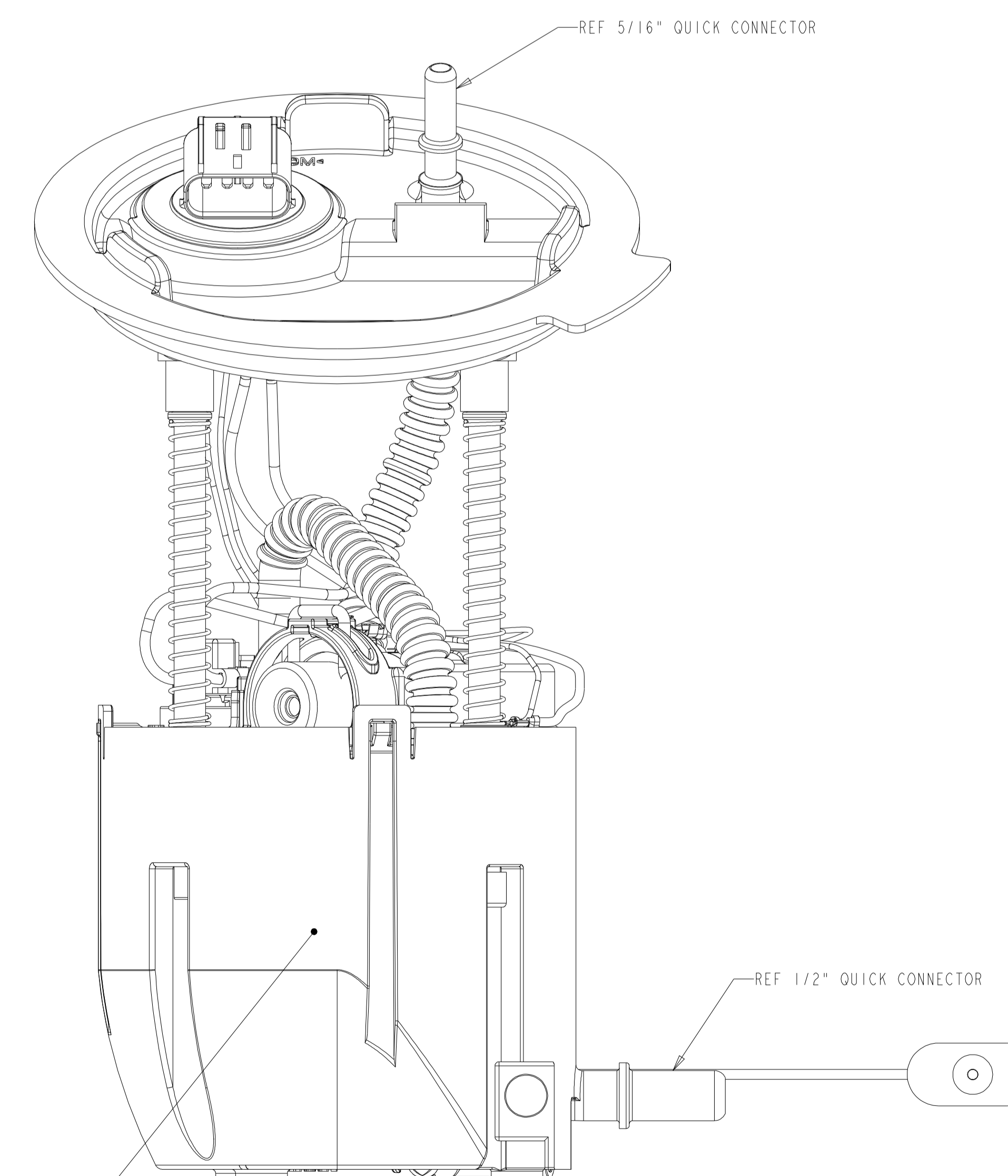
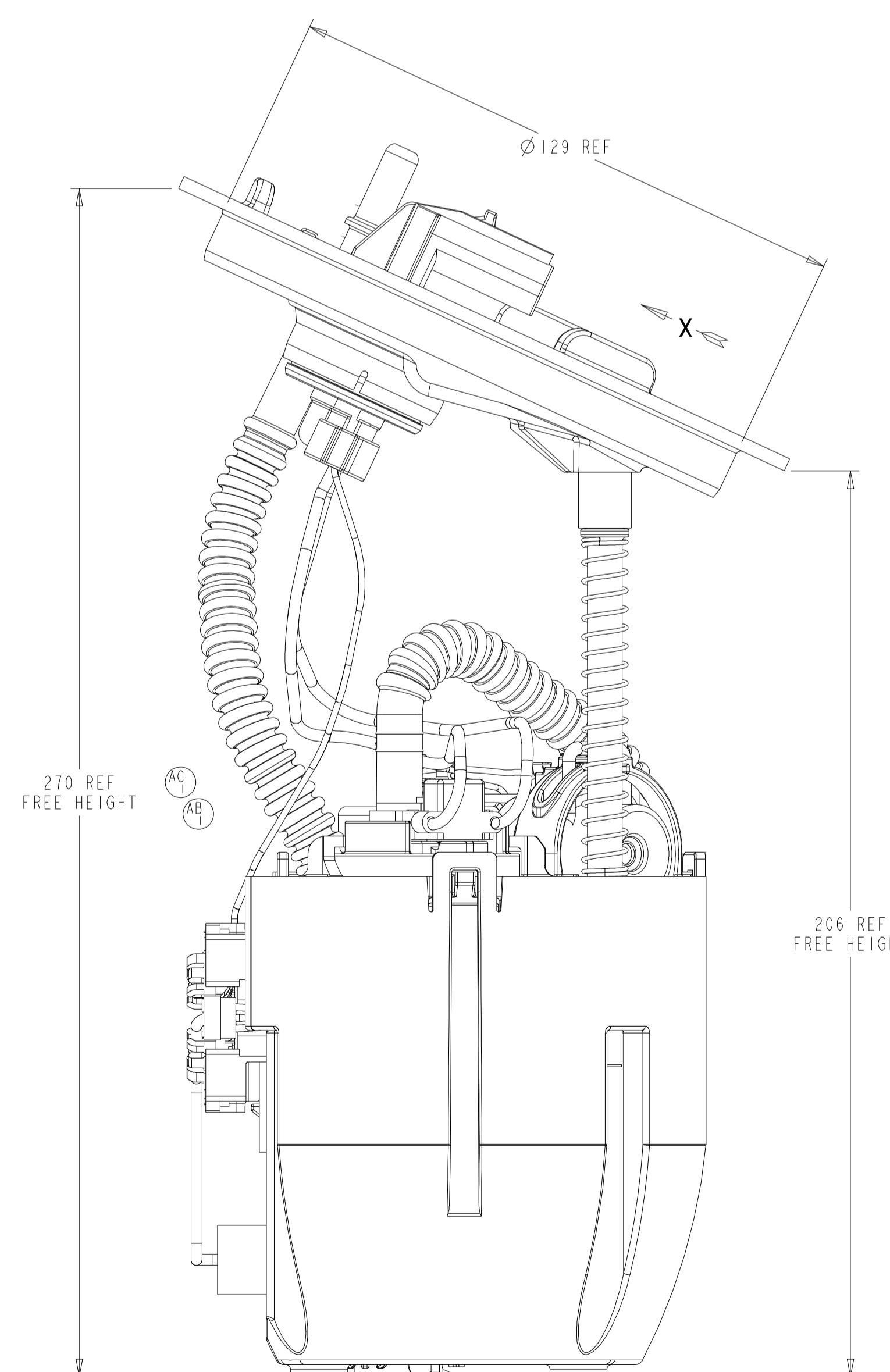
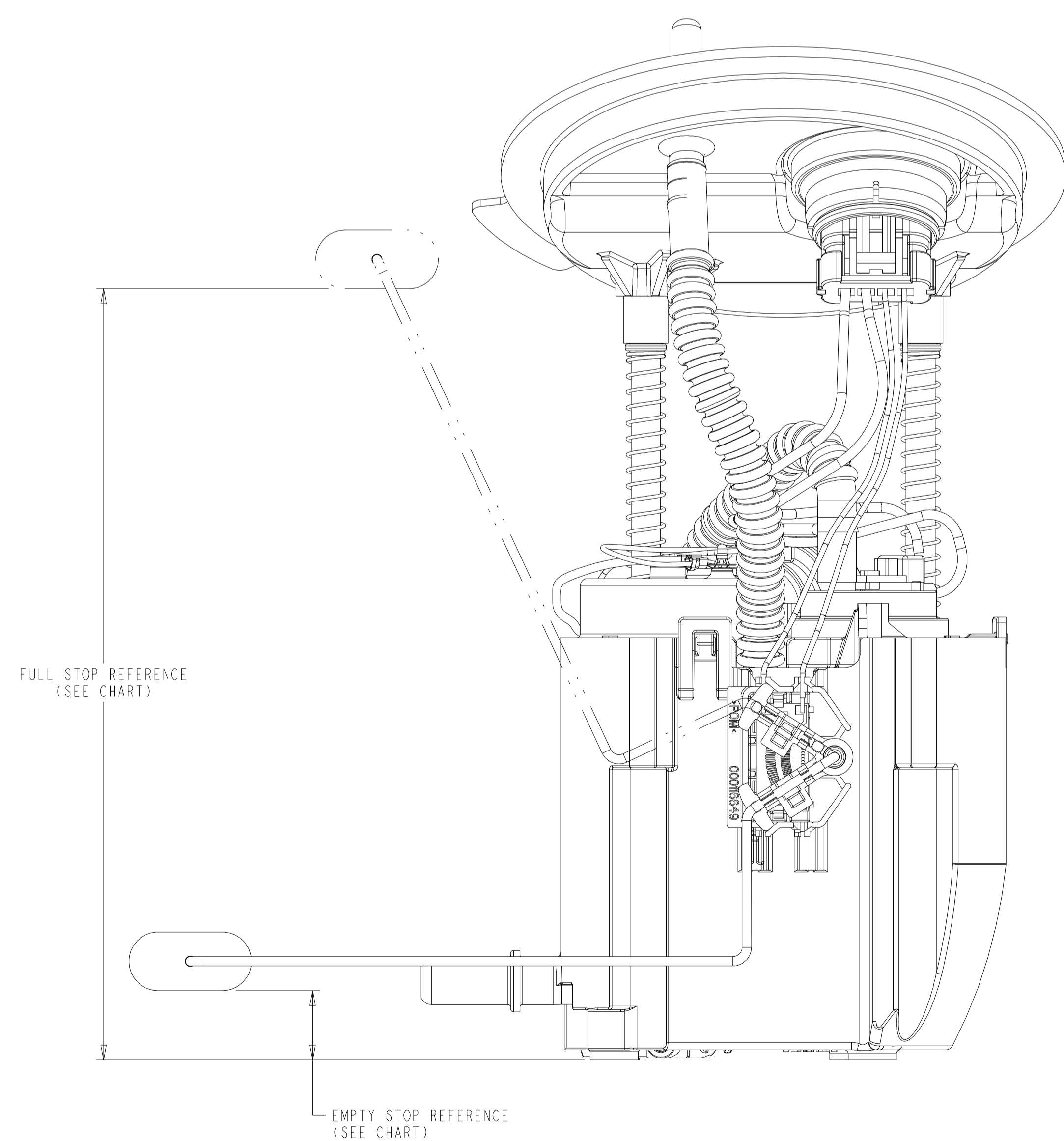


REVISIONS							
ZONE	LTR	DESCRIPTION	CHANGE No	DATE	BY	APP'D	
AA		INITIAL RELEASE	C-4385	07AUG17	RMB	BLM	
II-D	AB	ABI ADDED T-FITTING AND VALVE	80703	23OCT18	SLK	BLM	
II-D	AC	ACI REMOVED T-FITTING	DR73376	04DEC18	SLK	BLM	



VIEW IN DIRECTION OF ARROW "X"
SCALE 2:1



LEVEL SENDER UNIT HEIGHT VS RESISTANCE		
FLOAT POSITION	HEIGHT (mm)	RESISTANCE (Ohms)
FULL STOP	207 REF	10 ± 2
EMPTY STOP	19 REF	180 ± 4

- NOTES:
- SPECIAL CUSTOMER PACKAGING REQUIREMENTS MAY CALL FOR THE ADDITION OF SPECIFIC LABELS NOT SHOWN ON THIS DRAWING.
 - MODULE TO BE PACKAGED USING COMPONENTS NOTED ON BOM SO THAT CONTAMINATION FROM FOREIGN MATERIAL IS PREVENTED:
 - PLUG PROTECTORS ON PORTS
 - POLY BAG
 - SHOWN WIRE ROUTING MAY DIFFER FROM FINISHED PRODUCT.

METRIC
ALL DIMENSIONS ARE IN MILLIMETERS
DO NOT SCALE
DECIMAL TOLERANCES UNLESS OTHERWISE SPECIFIED
ONE PLACE ±0.25 TWO PLACE ±0.13 ANGLES ±1°
THIRD ANGLE PROJECTION
DIMENSIONS IN ACCORDANCE WITH ASME Y14.5 - 2009

		630 COLUMBIA ST. CARO, MI 48723 41 999.673.7727
ENGINEER:	B.MIDDLETON	04AUG2017
DESIGNER:	R.BRUBAKER	04AUG2017
CAD SYSTEM: PROVE	SCALE: 1:1	SHEET NO. 1 OF 1
REFERENCE: ARD046581/JAC	ARD046581/JAC	ARD046581/JAC
ARD046581/JAC	ARD046581/JAC	ARD046581/JAC
DRAWING NAME: FUEL MODULE OUTLINE		
SIZE: A0	DRAWING NUMBER: TU2037HP	

KEY PRODUCT CHARACTERISTICS
 REFER TO TI AUTOMOTIVE GLOBAL ADVANCED QUALITY PLAN FOR THE QUALITY AND RELIABILITY OF THIS DRAWING AND THE QUALITY OF THE PRODUCT.
 FOR THE IDENTIFICATION AND CONTROL OF KEY PRODUCT CHARACTERISTICS:
 - SAFETY CHARACTERISTIC
 - CRITICAL CHARACTERISTIC
 - HIGH IMPACT CHARACTERISTIC