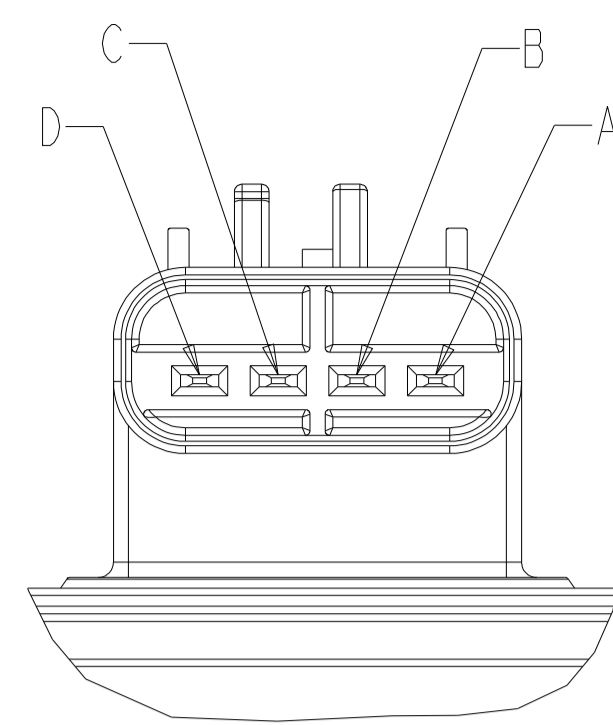
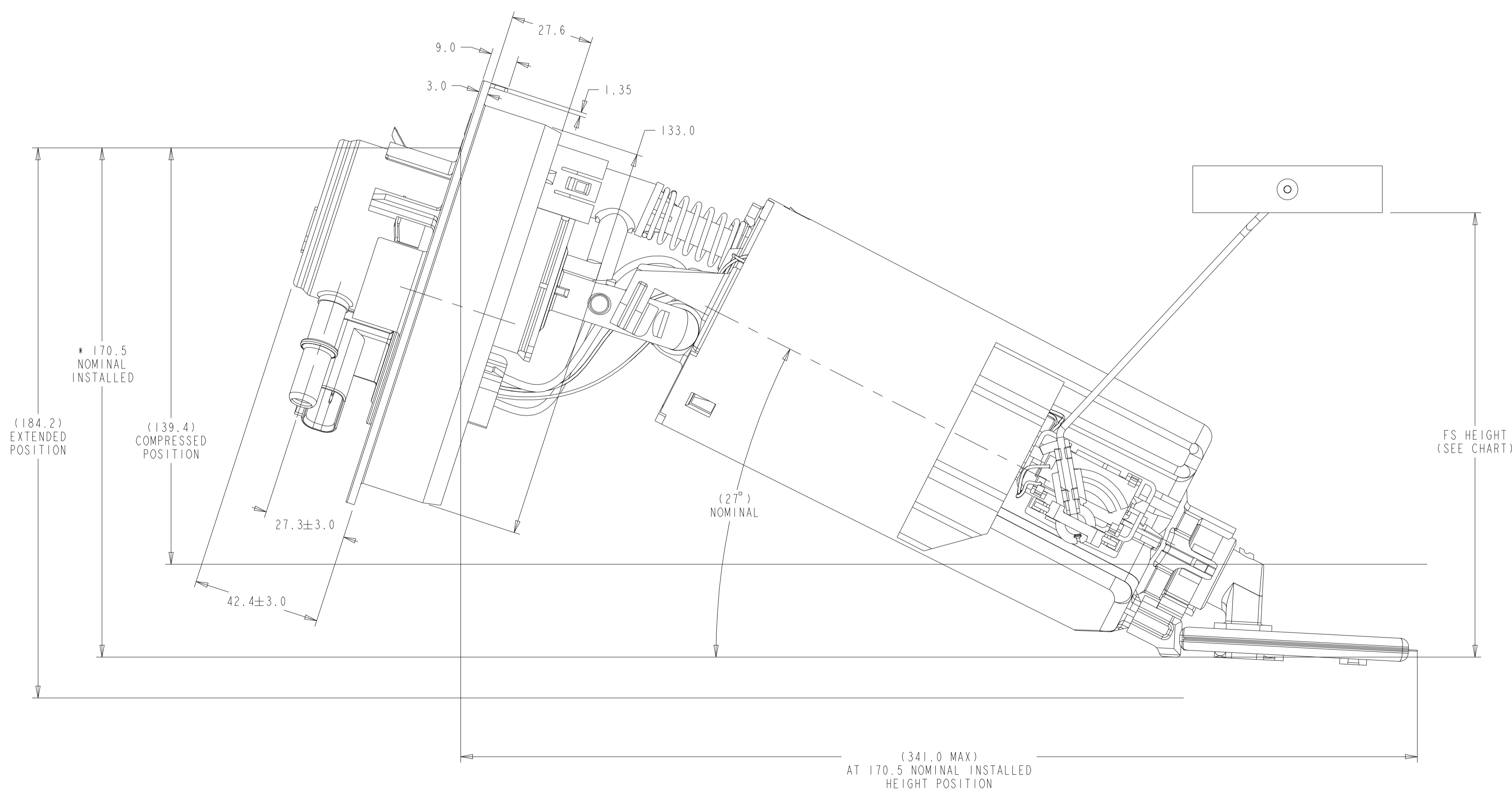
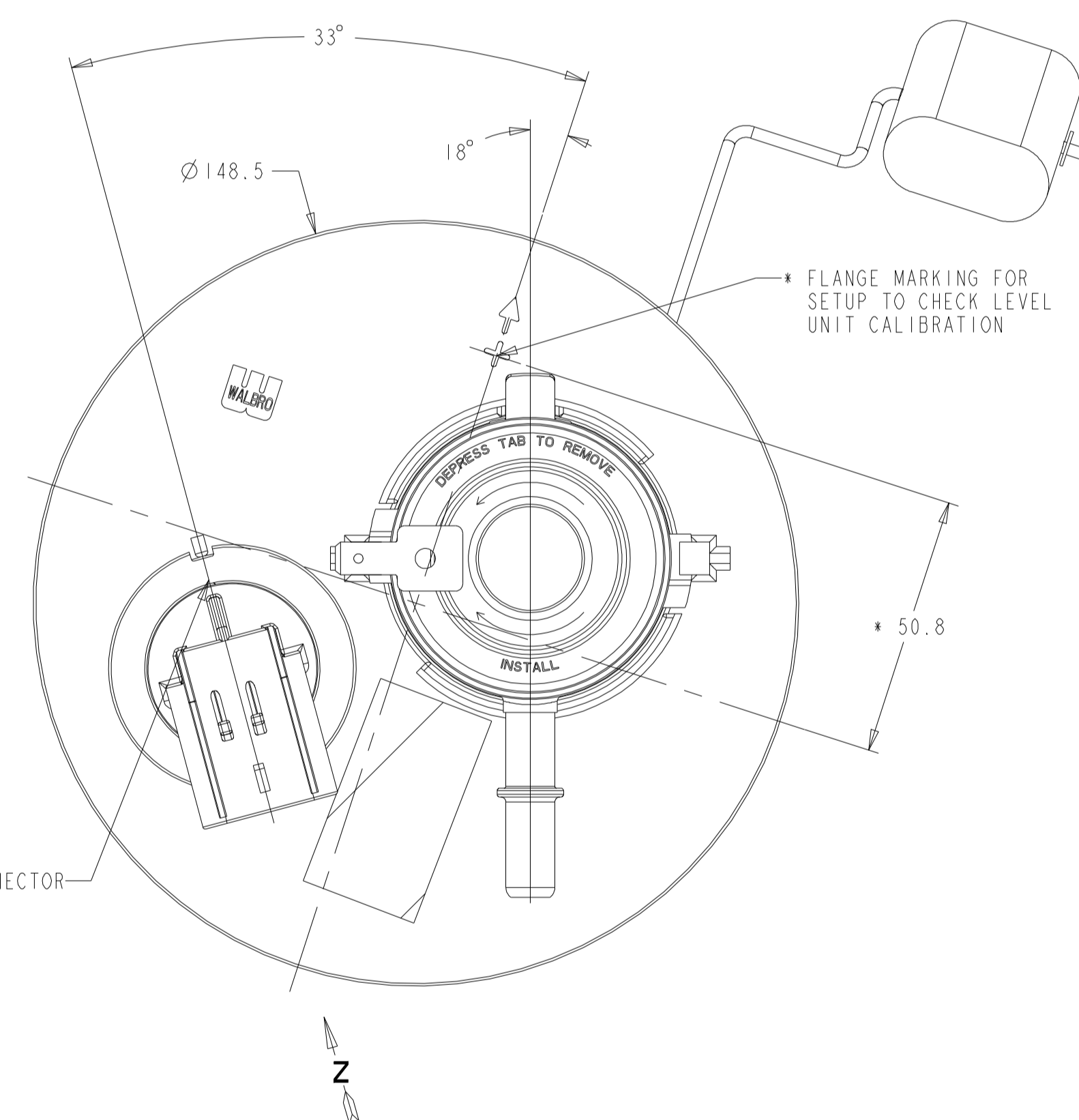
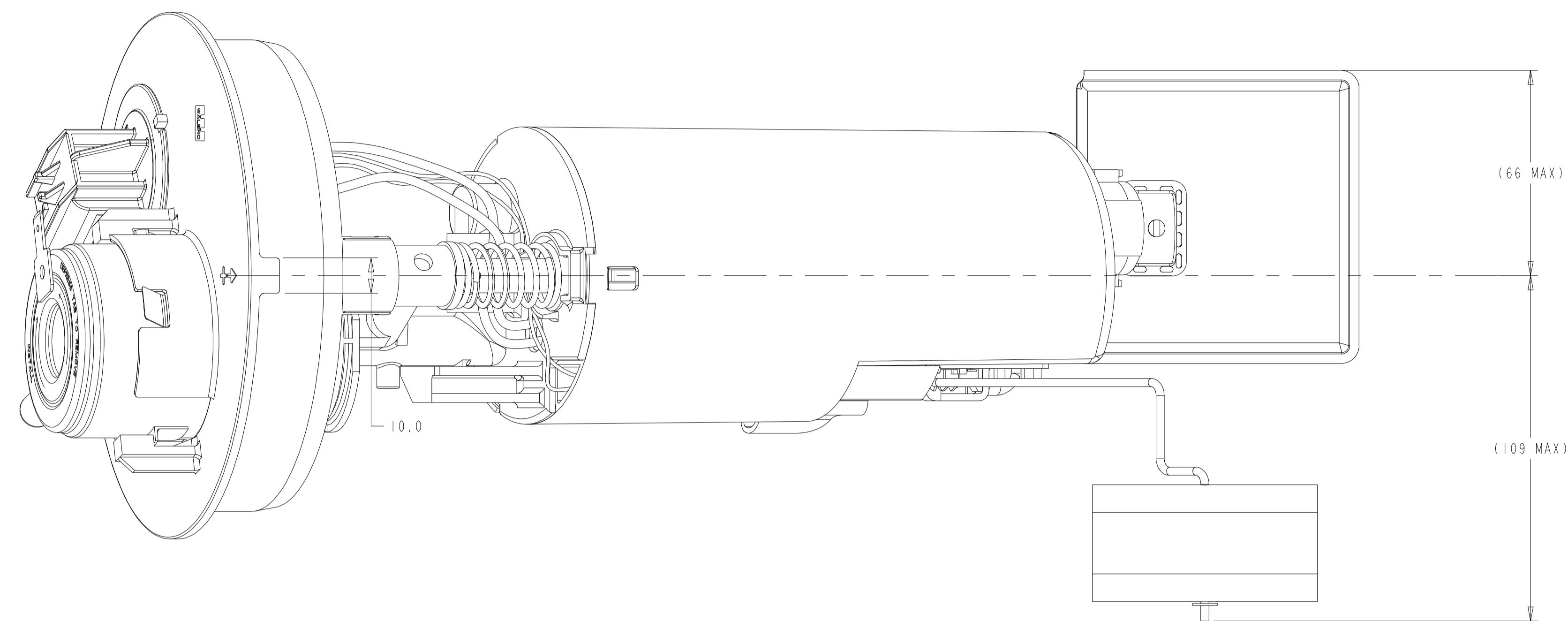


REVISIONS						
ZONE	LTR	DESCRIPTION	CHANGE No	DATE	BY	APPRO'D
AA		INITIAL RELEASE	82345	03FEB21	SLK	TM



VIEW Z  
SCALE 2:1

CONNECTOR WIRING	
LOCATION	FUNCTION
A	PUMP +
B	LEVEL SENDER
C	LEVEL SENDER
D	PUMP -



LEVEL UNIT				
POINT	HEIGHT (MM) BASIC	RESISTANCE VS. FLOAT HEIGHT		
		NOMINAL	UPPER LIMIT	LOWER LIMIT
FS	130.7	1011.6	1026.7	996.5
ES	0.0	114.8	143.3	86.3

**KEY PRODUCT CHARACTERISTICS**

REFER TO TI AUTOMOTIVE GLOBAL ADVANCED QUALITY PLANNING DOCUMENT OR QUALITY PLAN FOR THE CLASSIFICATION AND CONTROL OF ALL PRODUCT CHARACTERISTICS.

TYPE OF CHARACTERISTIC	SAFETY	ENVIRONMENTAL	FUNCTION	FUNCTION FINISHES
RESISTANCE VS. FLOAT HEIGHT	NO	NO	NO	NO
RESISTANCE VS. FLOAT HEIGHT	NO	NO	NO	NO
RESISTANCE VS. FLOAT HEIGHT	NO	NO	NO	NO

THIS DRAWING IS UNCLASSIFIED AND PROPRIETARY INFORMATION. IT IS THE PROPERTY OF TI AUTOMOTIVE. ALL RIGHTS ARE RESERVED. IT IS TO BE USED ONLY FOR THE PURPOSES SPECIFIED IN THIS DRAWING AND IS NOT TO BE REPRODUCED, COPIED, OR TRANSMITTED IN ANY FORM OR BY ANY MEANS, ELECTRONIC OR MECHANICAL, INCLUDING PHOTOCOPYING, RECORDING, OR BY ANY INFORMATION STORAGE AND RETRIEVAL SYSTEM. THIS DRAWING IS NOT TO BE RELEASED TO ANY OTHER PARTY WITHOUT THE WRITTEN PERMISSION OF TI AUTOMOTIVE. THIS DRAWING IS THE PROPERTY OF TI AUTOMOTIVE. ALL RIGHTS ARE RESERVED. IT IS TO BE USED ONLY FOR THE PURPOSES SPECIFIED IN THIS DRAWING AND IS NOT TO BE REPRODUCED, COPIED, OR TRANSMITTED IN ANY FORM OR BY ANY MEANS, ELECTRONIC OR MECHANICAL, INCLUDING PHOTOCOPYING, RECORDING, OR BY ANY INFORMATION STORAGE AND RETRIEVAL SYSTEM. THIS DRAWING IS THE PROPERTY OF TI AUTOMOTIVE. ALL RIGHTS ARE RESERVED.

ENGINEER:	L. MILLER	03FEB2021	MATERIAL SPECIFICATION:
DESIGNER:	S. KADY	03FEB2021	
CAD SYSTEM:	PROVE	SCALE: 1:1	SHEET NO. 1 OF 1
REFERENCE TO:			SP R&M REFERENCE: AR0060992/AA
REFERENCE TO:			SP R&M REFERENCE: AR0060991/AA
DRAWING NAME:	FUEL MODULE ASSEMBLY		
SIZE:	A0	DRAWING NUMBER:	TUI154HP

630 COLUMBIA ST.  
CARO, MI 48723  
+1 989.673.7727

**Ti Automotive**