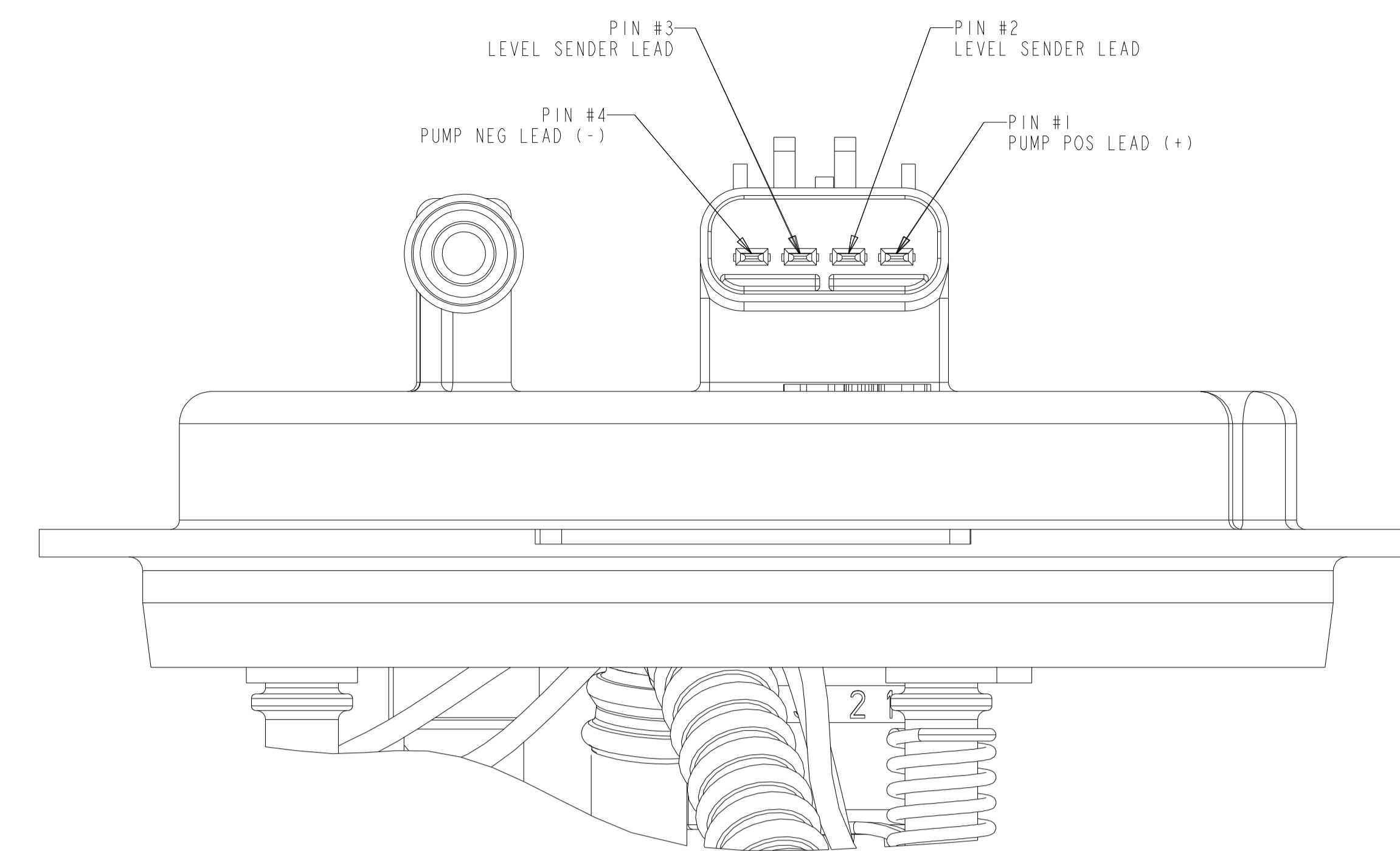
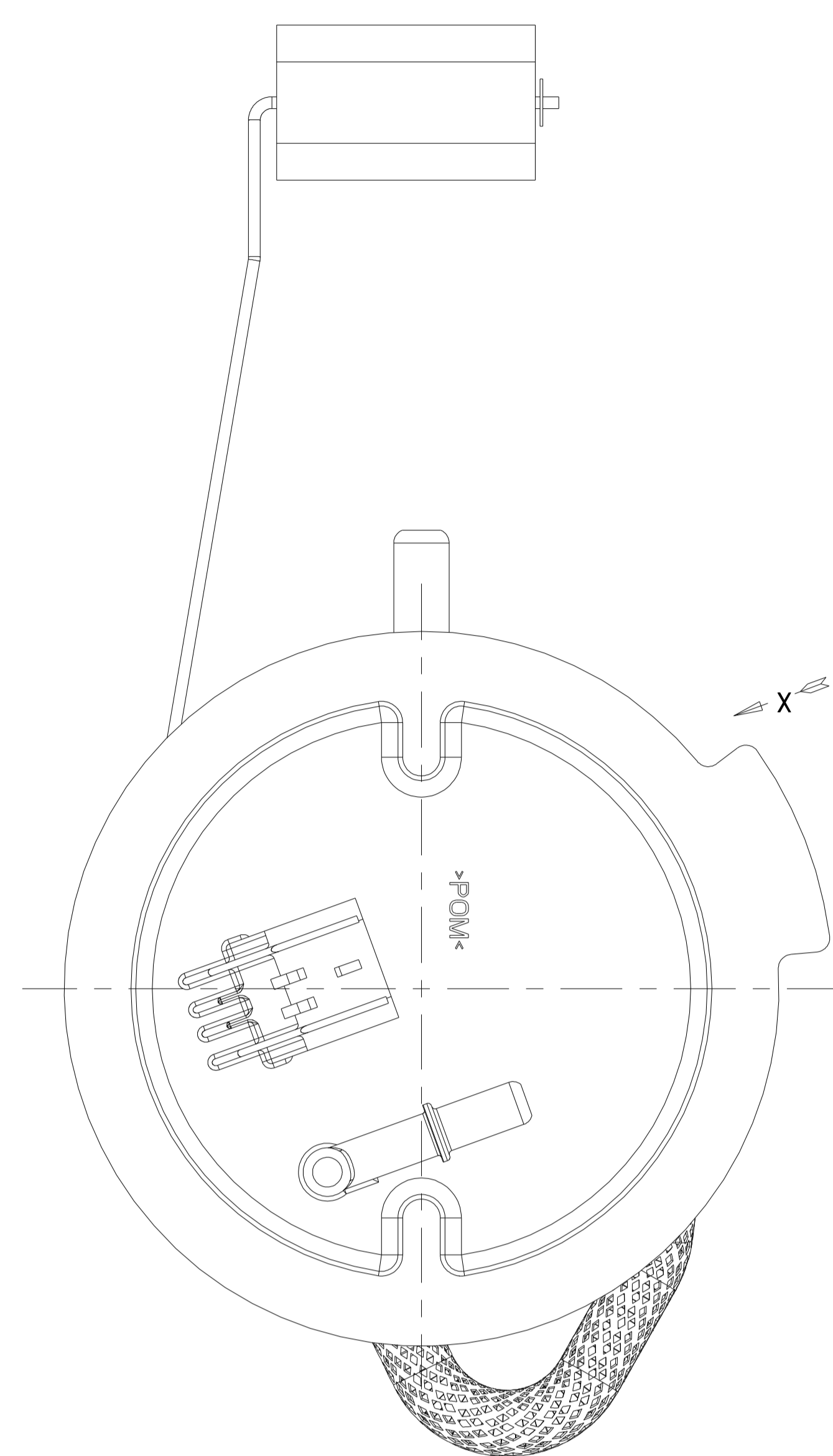
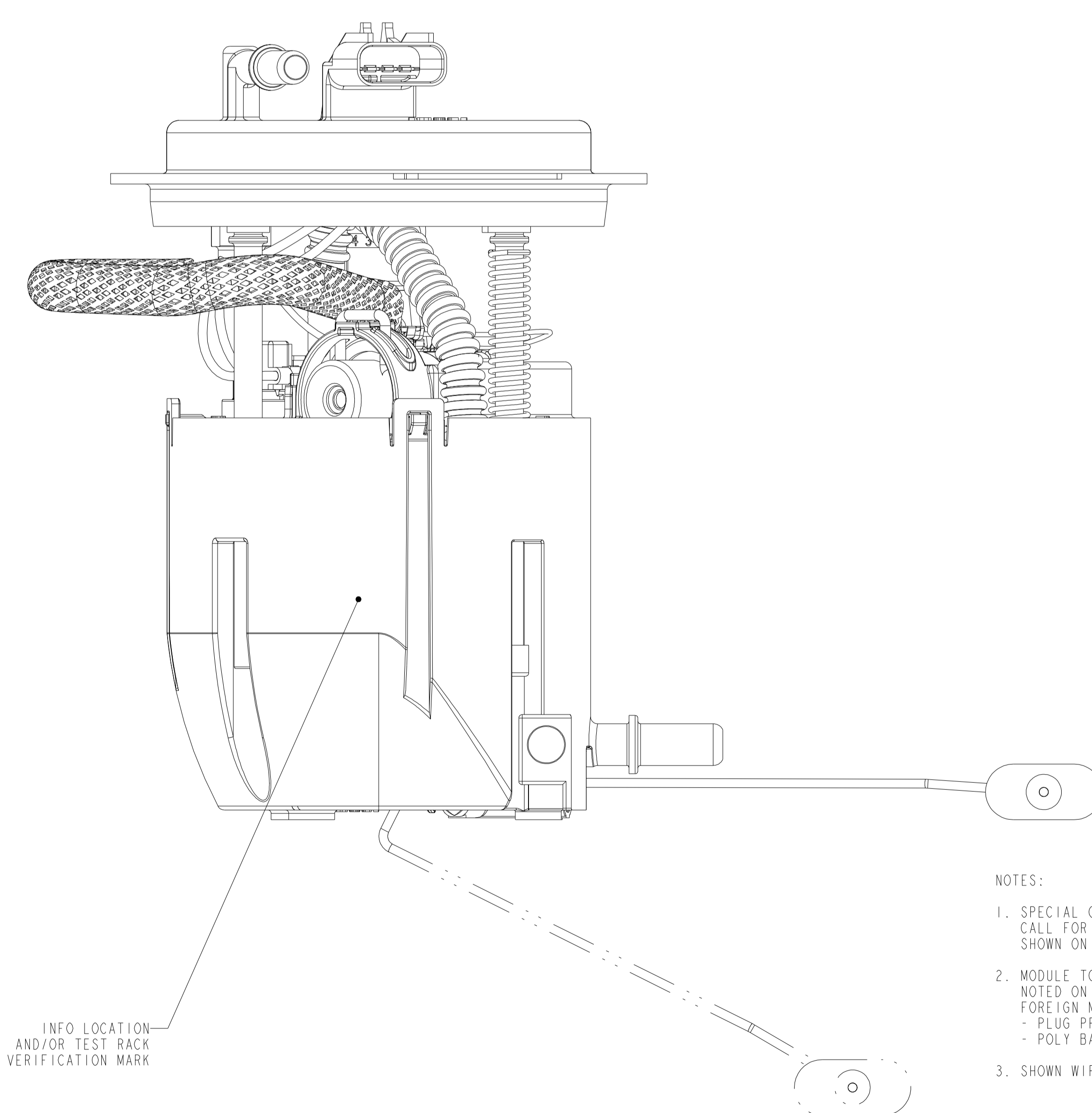
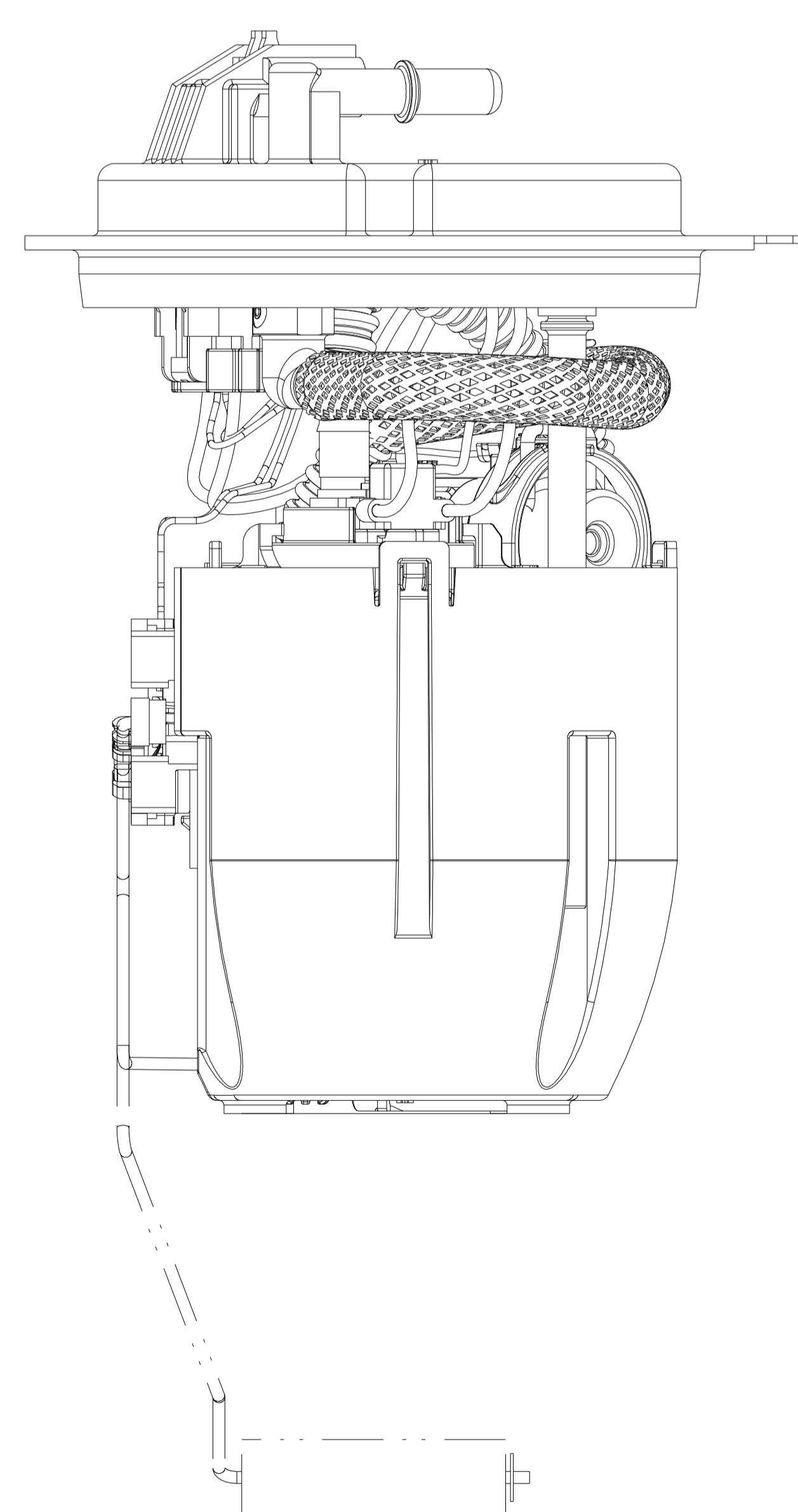
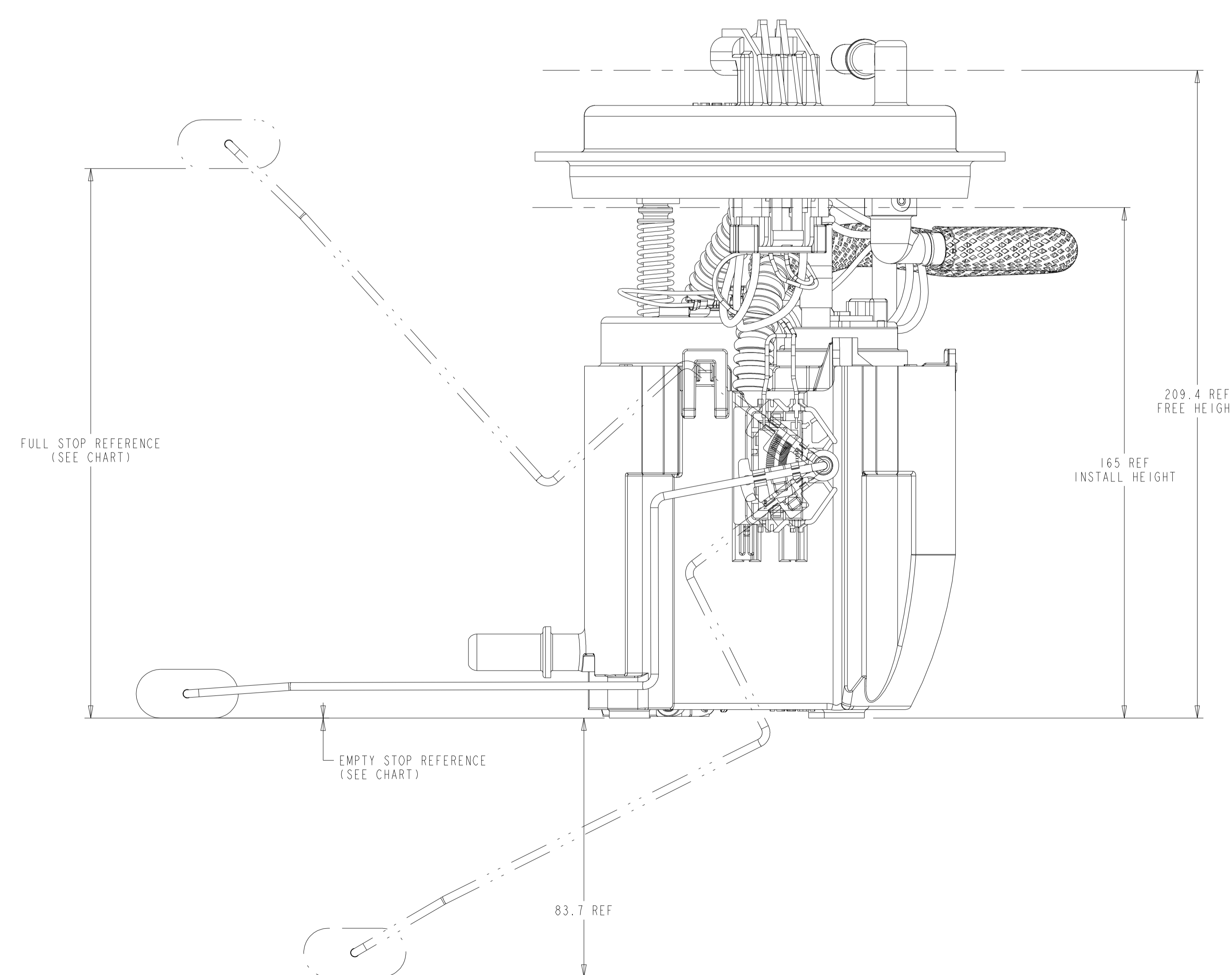


REVISIONS						
ZONE	LTR	DESCRIPTION	CHANGE No	DATE	BY	APPR'D
AA		INITIAL RELEASE	C-3872	04JAN17	RMB	BLM
AB		ADDED ESD GROUND	DR61509	01FEB17	SLK	BLM
AC		CHG TUBE ROUTING & ADD CHAFE GUARD	C-4606	05OCT17	RMB	BLM



E-CONNECTOR PIN OUT DETAIL
PARTIAL VIEW IN DIRECTION OF ARROW "X"
SCALE 2:1



FLOAT POSITION	HEIGHT (mm)	RESISTANCE (Ohms)
FULL STOP	177.3 REF	50 ± 2
EMPTY STOP	0.0 REF	990 ± 4

- NOTES:
- SPECIAL CUSTOMER PACKAGING REQUIREMENTS MAY CALL FOR THE ADDITION OF SPECIFIC LABELS NOT SHOWN ON THIS DRAWING.
 - MODULE TO BE PACKAGED USING COMPONENTS NOTED ON BOM SO THAT CONTAMINATION FROM FOREIGN MATERIAL IS PREVENTED:
 - PLUG PROTECTORS ON PORTS
 - POLY BAG
 - SHOWN WIRE ROUTING MAY DIFFER FROM FINISHED PRODUCT.

NOTE: LEVEL SENDER FLOAT IS DESIGNED TO HANG BELOW BUCKET AS SHOWN

METRIC
ALL DIMENSIONS ARE IN MILLIMETERS

DO NOT SCALE

DECIMAL TOLERANCES UNLESS OTHERWISE SPECIFIED
ONE PLACE ±0.25 TWO PLACE ±0.13 ANGLES ±1°

THIRD ANGLE PROJECTION

DIMENSIONS IN ACCORDANCE WITH ASME Y14.5 - 2009

Ti Automotive
630 COLUMBIA ST.
CARO, MI 48723
+1 989.673.7727

ENGINEER: B. MIDDLETON 280C2016 MATERIAL SPECIFICATION:
DESIGNER: R. BRUBAKER 280C2016
CAD SYSTEM: PROE SCALE: 1:1 SHEET NO. 1 OF 1
REFERENCE TO: AR0044313AC
REFERENCE TO: AR0044311AC

KEY PRODUCT CHARACTERISTICS:
 - SAFETY CHARACTERISTIC
 - CRITICAL CHARACTERISTIC
 - HIGH IMPACT CHARACTERISTIC

DATE: 04/11/16
 DRAWN BY: J. HARRIS
 CHECKED BY: J. HARRIS
 APPROVED BY: J. HARRIS
 TITLE: FUEL MODULE OUTLINE
 PART NUMBER: TU1002HP