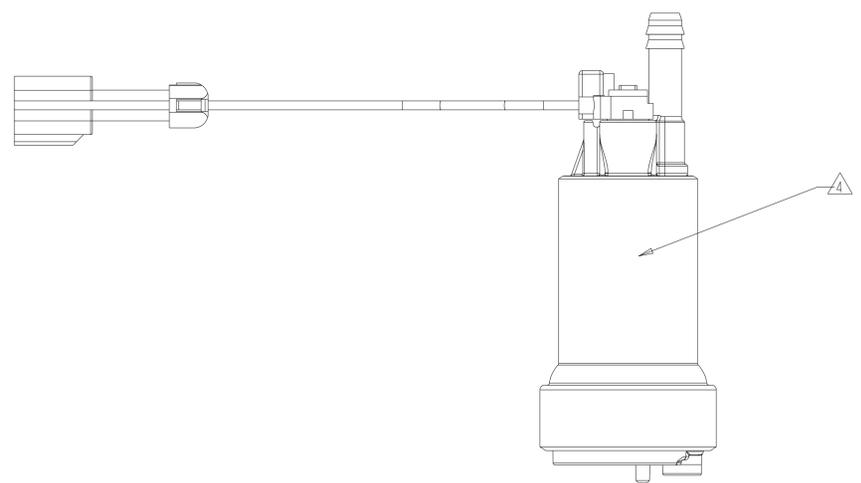
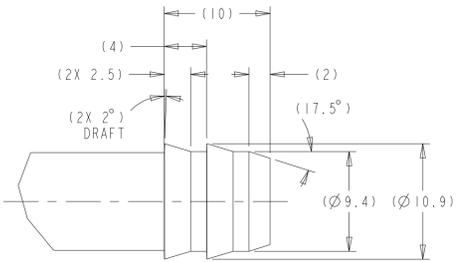


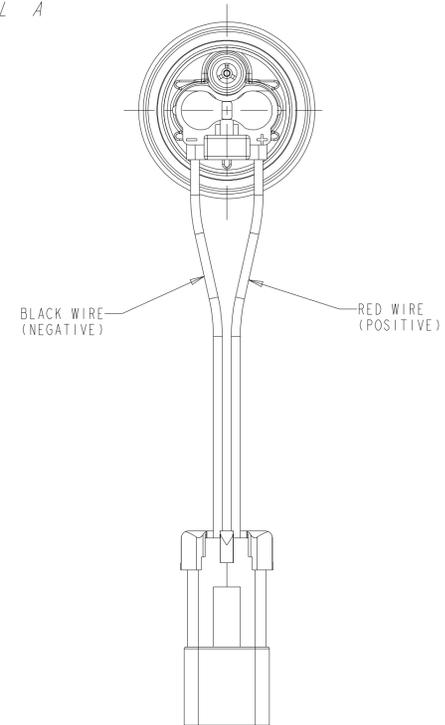
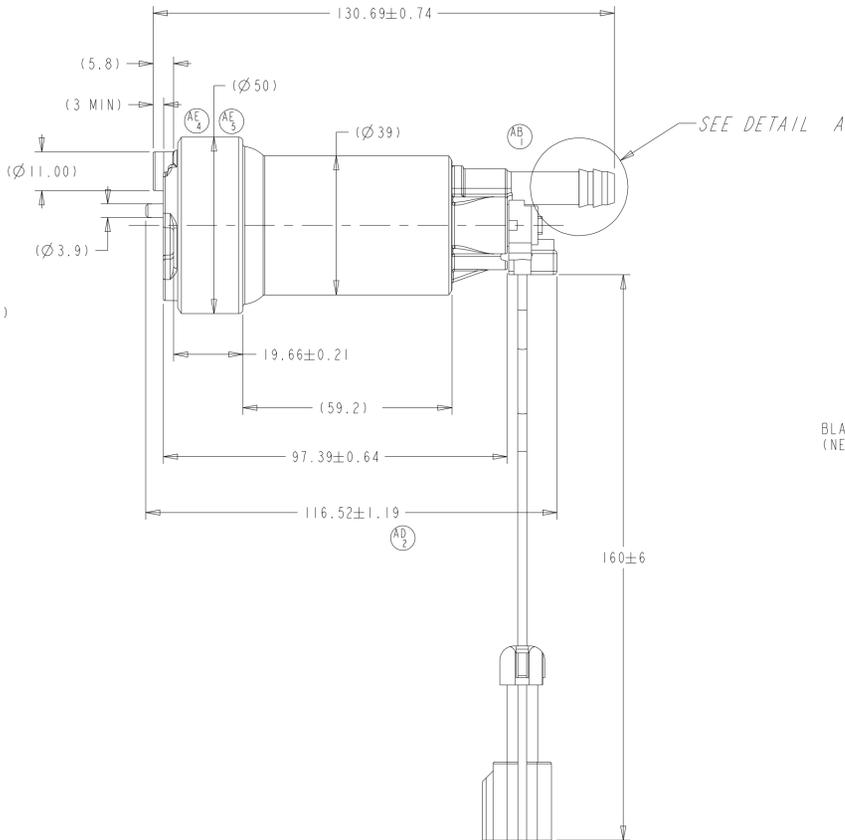
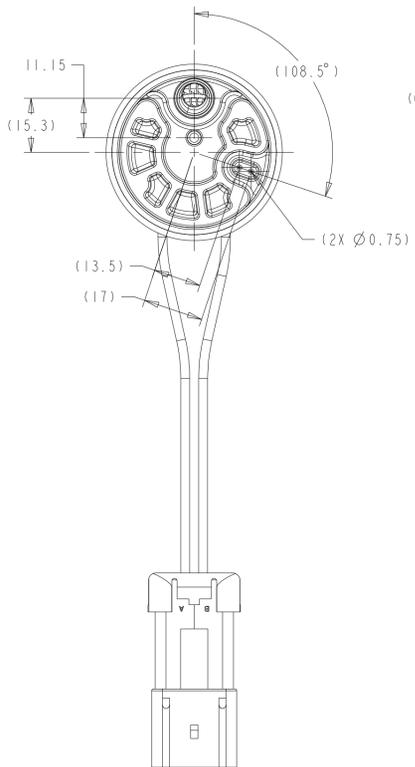
REVISIONS						
ZONE	LTR	DESCRIPTION	CHANGE No	DATE	BY	APPR'D
	AA	INITIAL RELEASE	DR62722	18AUG17	RMB	BLM
6-E 5-G	AB	AB1, DOUBLE BARB OUTLET WAS TRIPLE AB2, UPDATE DIM'S IN DETAIL A	DR66503	03JAN18	RMB	TLH
10-B	AC	PERFORMANCE SPECIFICATIONS FLOW 10.6, 400, 240, 18.75 WAS 11.5, 497, 178, 12.2 SHUTOFF 10.0, 745-1100, 0.25 WAS 13.2, 850-1175, 0.23	PCRR80193	20APR18	RMB	TLH
10-D 6-D	AD	AD1 ADDED ALTERNATE INLET VIEW AD2 ±1.19 WAS ±0.80	81357	30JUL19	SLK	TLH
8-B 8-A 11-D 7-E	AE	AE1 UPDATED NOTE 4 AE2 ADDED NOTE 5 AE3 REM'D ALTERNATE INLET VIEW AE4 100106777 INLET COVER WAS 0213772 AE5 000115439 UPPER CAP WAS 0250600	82896	21MAR22	SLK	TLH
-- 8-A	AF	AF1 MOVED MFG BACK TO TEM LINE AF2 REMOVED NOTE 5	83423	25OCT22	SLK	TLH



OUTER SHELL INFO
(APPROXIMATE LOCATION)



DETAIL A (AB)
SCALE 3:1



PUMP PERFORMANCE SPECIFICATION				
END OF LINE TEST	VOLTS	PRESSURE kPa	LPH (MIN)	AMPS (MAX)
FLOW IN MINERAL SPIRITS	10.6	400	240.0	18.75
SHUTOFF PRESSURE	10.0	745 - 1100	0.0	25.0

- NOTES:
- PUMP WILL BE PACKAGED TO PREVENT CONTAMINATION BY FOREIGN MATERIAL
 - MODEL 39/50 CARTRIDGE BRUSH PUMP DIN I RFI
 - INLET FILTER REQUIREMENT 31 MICRON
- 4 OUTER SHELL INFO:
 TI AUTOMOTIVE
 CCCCCCCC = CUSTOMER PART NUMBER (IF REQUIRED)
 PPPPPPPRR = TI AUTOMOTIVE PART NUMBER, RR = TI AUTOMOTIVE REV (IF REQUIRED)
 DDD = JULIAN DATE, YY = YEAR, S = SHIFT, MADE IN USA

KEY PRODUCT CHARACTERISTICS			
REFER TO TI AUTOMOTIVE GLOBAL ADVANCED QUALITY PLANNING DOCUMENT CW-4-ALL-411 FOR THE CLASSIFICATION AND CONTROL OF KEY PRODUCT CHARACTERISTICS			
TYPE OF CHARACTERISTIC	SAFETY	REGULATORY	FUNCTION / FUNCTION PROCESS
NUMBER PER EACH CHARACTERISTIC	0	0	0
TOTAL NUMBER OF CHARACTERISTICS	0	0	0

METRIC
ALL DIMENSIONS ARE IN MILLIMETERS

DO NOT SCALE
DECIMAL TOLERANCES UNLESS OTHERWISE SPECIFIED
ONE PLACE ±0.25 TWO PLACE ±0.13 ANGLES ±1°

THIRD ANGLE PROJECTION
DIMENSIONS IN ACCORDANCE WITH ASME Y14.5 - 2009

TI Automotive
630 COLUMBIA ST.
CARO, MI 48723
+1 989.673.7727

ENGINEER:	B. MIDDLETON	20APR2017	MATERIAL/SPECIFICATION:
DESIGNER:	R. BRUBAKER	20APR2017	
CAD SYSTEM:	PRO/E	SCALE: 1:1	SHEET NO. 1 OF 1
REFERENCE TO/REV.:	HJPB9285AE; F90000285	3D PLM REFERENCE/REV.:	AR0045916/AF
REFERENCE TO/REV.:	000118565/AE	3D PLM REFERENCE/REV.:	AR0045914/AD
DRAWING NAME: FUEL PUMP OUTLINE			
SIZE:	A1	DRAWING NUMBER:	000118565